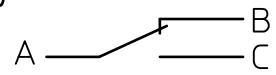
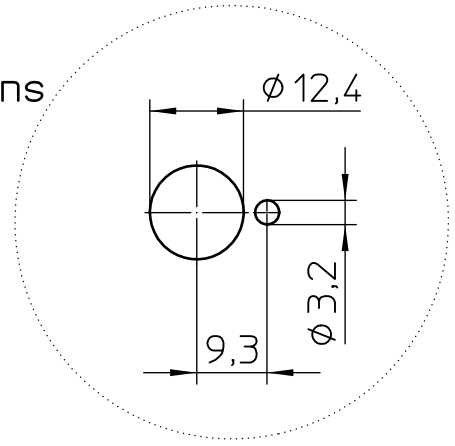


Wiring Diagram



Mounting Dimensions

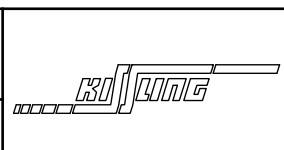


Characteristics

Pretravel	1±0,5 mm
Differentialtravel	0,6 mm max.
Totaltravel	6,5±0,5 mm
Actuating force	30±5 N
Temperature range	-55 °C to +85 °C
Sealing IEC 60529	IP 67 (0,2 bar; 5 min)
Vibration iaw MIL-STD-202; Method 204; Test condition B (10-2000 Hz)	15 g
Shock iaw MIL-STD-202; Method 213; Test condition I (6 ms; sawtooth)	100 g
Insulation resistance iaw MIL-STD-202; Method 302; Test condition B (500 V; 1 min)	100 MOhm min.
Dielectric withstanding voltage iaw MIL-STD-202; Method 301	1050 V
Voltage	28 VDC
Current	7 Amps
Electrical rating; resistive load	28 VDC; 7 Amps
Electrical rating; inductive load	28 VDC; 4 Amps
Endurance iaw MIL-S-8805; §4.8.26 (28 VDC; 5 Amps)	25.000 cycles
Endurance iaw MIL-S-8805; §4.8.26 (28 VDC; 1 Amp)	100.000 cycles
Weight	0,120 kg
Switch insert MS 24547-1 iaw MIL-S-8805 to +82 °C	

	Date	Name
Drawn	21.05.2003	Stark
Check	15.10.2007	Stegm

mm ←	Scale 1:1
General Tolerances	



Drawing No:	G13-01-1244
NSN:	5930-12-332-8246