

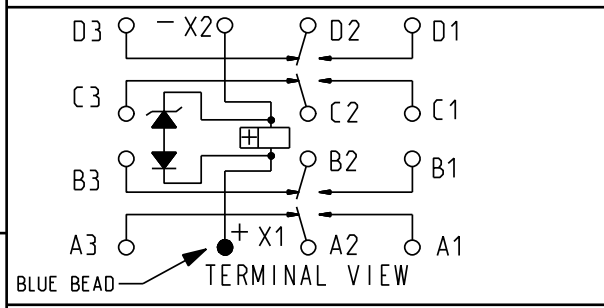
REV. B
 DCO 300825

TOLERANCES ±.010" - UNLESS OTHERWISE SPECIFIED

COIL: @ 25°C	
RESISTANCE	400 OHMS ±10%
NOMINAL VOLTAGE	28 VDC
MUST OPERATE	13.5 VDC MAX.
TRANSIENT SUPPRESSION - 42 VDC MAX.	
MUST RELEASE	5.5 VDC MAX., 2.3 VDC MIN.

ENVIRONMENT:	
VIBRATION	70 Hz TO 3000 Hz @ 30 g's
SHOCK	200 g's 6 MS. DURATION
TEMPERATURE	-70 °C TO +125 °C
NOTES: OPERATE, RELEASE 6 MS MAX.	
CONTACT STABILIZATION 2.5 MS MAX.	
CONTACT BOUNCE 1 MS MAX.	
CONTACT BREAK BOUNCE 0.1 MS MAX.	

CUSTOMER DATA SHEET



CONTACT RATING:	LOW LEVEL
5 AMPS 28 VDC, 115 VAC 400 Hz RESISTIVE	
100,000 OPERATIONS	

DR. B.D. 25APR2008 CK. 5/9/08 J.M.B.

Tyco Electronics ©COPYRIGHT 2005
 TYCO ELECTRONICS CORPORATION
 ALL INTERNATIONAL RIGHTS RESERVED

CUST. M83536/6-022L
 CUST. NO. ---- REV. ---

TE NUMBER
 8-1617760-2

CII PART NUMBER
 FCB-405-0622L