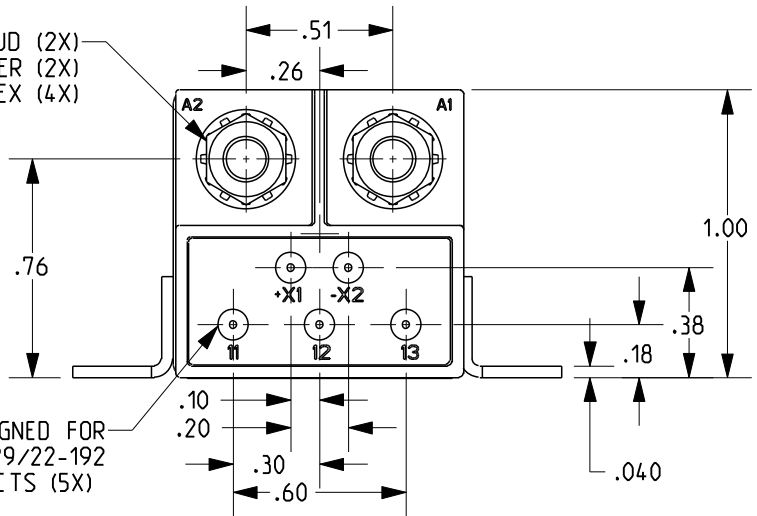


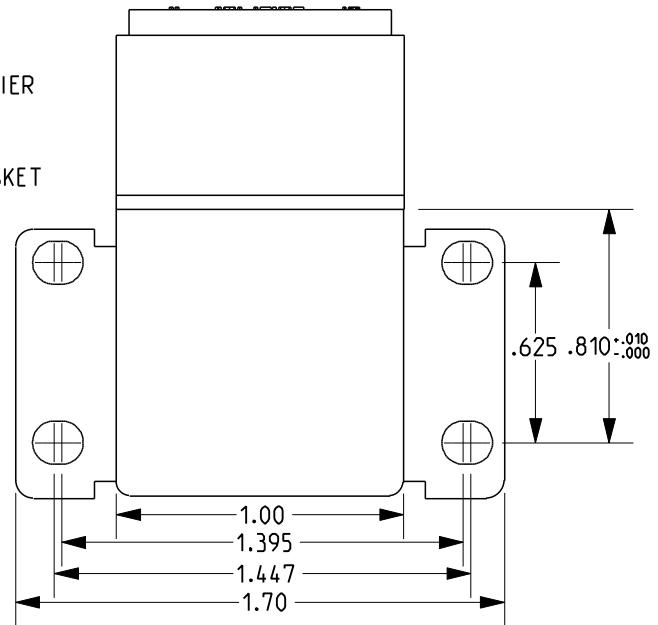
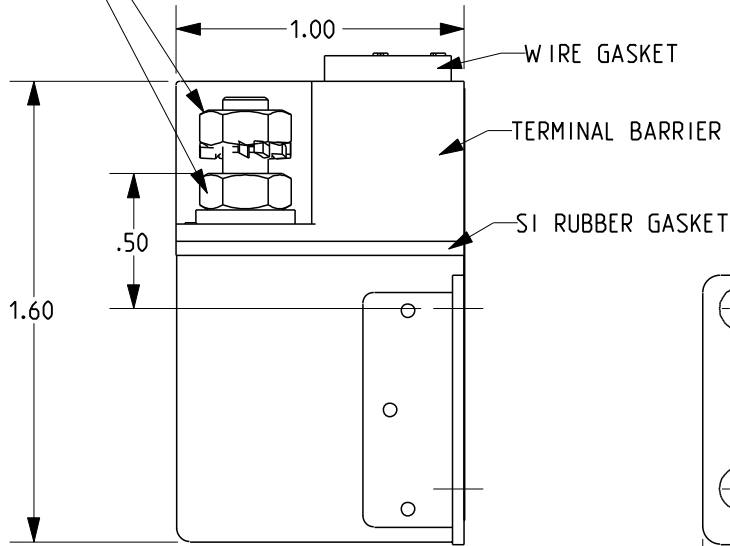
TOLERANCES  
 XX = ±.03  
 XXX = ±.010

M4 X .7 STUD (2X)  
 DIN 6798A LOCK WASHER (2X)  
 DIN 934 NUT HEX (4X)



UPPER NUT TORQUE  
 NOT TO EXCEED  
 11 IN-LBS WITH  
 LOWER NUT HELD IN  
 POSITION NOT TO  
 EXCEED 2.8 IN-LBS.  
 OF TORQUE

DESIGNED FOR  
 MIL-C-39029/22-192  
 CONTACTS (5X)



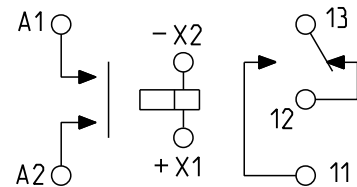
REV. D  
 DCO 301236

COIL: @ 25°C  
 RESISTANCE \_\_\_\_\_ 290 OHMS ±10%  
 NOMINAL VOLTAGE \_\_\_\_\_ 28.0 VDC  
 MUST OPERATE \_\_\_\_\_ 13.5 VDC MAX.  
 \_\_\_\_\_  
 MUST RELEASE \_\_\_\_\_ 5.5 VDC MAX. 2.3 VDC MIN.

ENVIRONMENT:  
 VIBRATION \_\_\_\_\_ 75 \_\_\_\_\_ Hz TO \_\_\_\_\_ 3000 \_\_\_\_\_ Hz @ \_\_\_\_\_ 20 \_\_\_\_\_ g's  
 SHOCK \_\_\_\_\_ 50 \_\_\_\_\_ g's \_\_\_\_\_ 11 \_\_\_\_\_ MS. DURATION  
 TEMPERATURE \_\_\_\_\_ -70 \_\_\_\_\_ °C TO \_\_\_\_\_ +125 \_\_\_\_\_ °C

NOTES: \_\_\_\_\_ OPERATE AND RELEASE 15 ms MAX. AT 25°C  
 \_\_\_\_\_ CONTACT BOUNCE 1 ms MAX. AUX BOUNCE 5ms MAX  
 \_\_\_\_\_ DIELECTRIC 1250 VRMS MAX./60 Hz (1000 VRMS/60 Hz COIL TO CASE)

CUSTOMER DATA SHEET



TERMINAL VIEW

CONTACT RATING: \_\_\_\_\_  
 \_\_\_\_\_ 50 AMPS 28 VDC.  
 \_\_\_\_\_ AUX 2 AMP 28VDC.  
 \_\_\_\_\_ RESISTIVE 50,000 OPERATIONS EACH

DR. B.D. 28AUG2009 CK. J.M.B. 4/28/10

©COPYRIGHT 2005  
 TYCO ELECTRONICS CORPORATION  
 ALL INTERNATIONAL RIGHTS RESERVED

CUST. \_\_\_\_\_ CATALOG STANDARD  
 CUST. NO. \_\_\_\_\_ REV. \_\_\_\_\_

TE NUMBER  
 2-1617801-4

CII PART NUMBER  
 FCAC-150-KR3