

MSD INC.

ENGINEERING DATA SHEET

RELAY TYPE: <b>FCA-215-HZ4</b>	COMPUTER PART No.: <b>9227615</b>	TEST PROCEDURE <b>MSDP-791</b>
CUST/SPEC	CATALOG ITEM	REV <b>N/A</b>

**TEST REQUIREMENTS**

COIL RES:  $\pm 10\%$  **320 OHMS** OPERATE TIME: **10ms MAX** RELEASE TIME: **10ms MAX**

CONTACT MAKE BOUNCE: **1ms MAX** N.O. BREAK BOUNCE: **0.1ms MAX**

CONTACT STABILIZATION TIME: **N/A** RATED COIL VOLTAGE: **28Vdc**

CONTACT RES.: MFG TEST: **8 Milliohms @ 10mA** FINAL TEST: **10 Milliohms @ 10mA**

CONTACT VOLTAGE DROP: FINAL TEST: **100mV @ 10A -6Vdc**

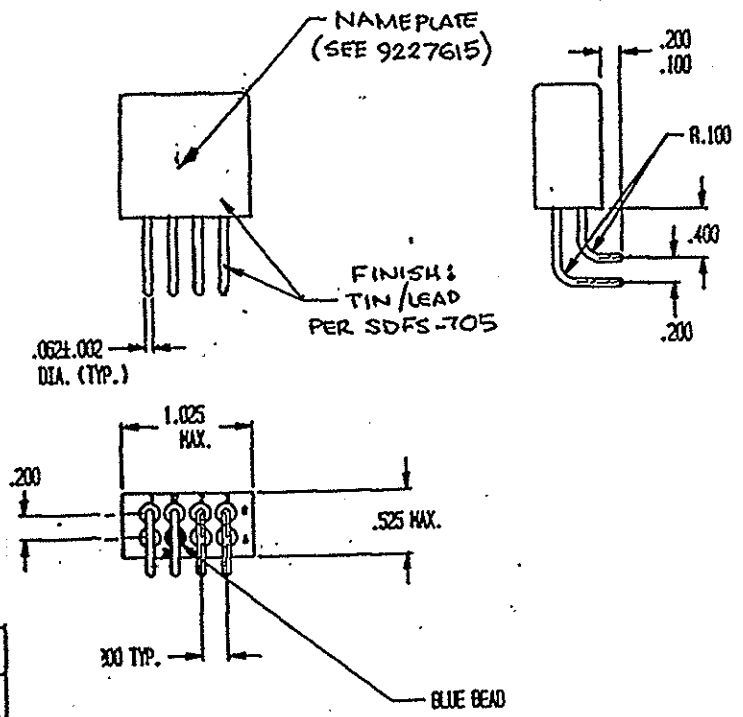
HI-POT: **1250Vrms** ALL POINTS, EXCEPT **1000Vrms** COIL TO CASE

INSULATION RESISTANCE: **100 MEGOHMS MIN @ 500Vdc**

VIBRATION: **N/A**

SEAL TEST:  $1 \times 10^{-8}$  MAX LEAK RATE COIL TRANSIENT SUPPRESSION: **42Vdc MAX**

OTHER: **\* SPECIAL CONTACT GAPS \***



Prepared By: <b>LES WYNNE</b> Date: <b>3-29-96</b>		Approved By: _____ Date: _____	
Rev	ECN No.	Date	
<b>A</b>	<b>96-065</b>	<b>3-29-96</b>	

SPECIAL INSTRUCTIONS