

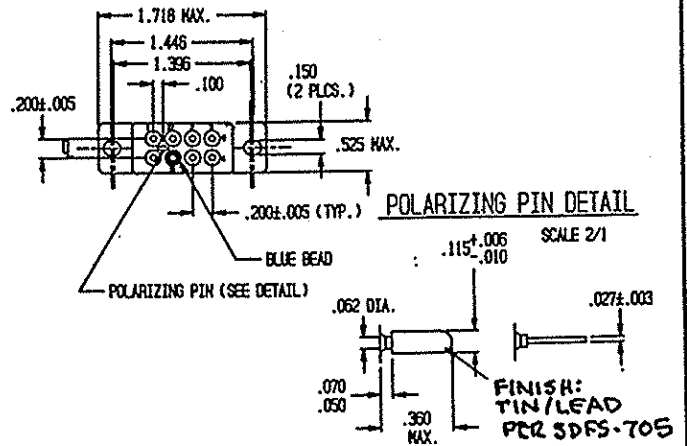
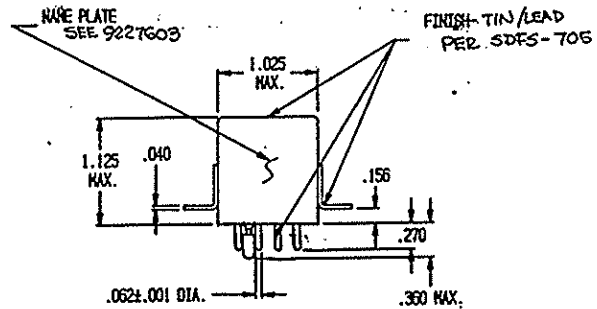
# MSD INC.

# ENGINEERING DATA SHEET

RELAY TYPE: FCA-210-FY8	COMPUTER PART No.: 9227603	TEST PROCEDURE MSDP-791
CUSTOMER/SPECIFICATION: CATALOG ITEM		REV N/A

### TEST REQUIREMENTS

COIL CURRENT: .04 A    OPERATE TIME: 15 mS MAX    RELEASE TIME: 50 mS MAX  
 CONTACT MAKE BOUNCE: 1 mS MAX    N.O. BREAK BOUNCE: N/A  
 CONTACT STABILIZATION TIME: N/A    RATED COIL VOLTAGE: 115V/400Hz  
 CONTACT RES.: MFG TEST: 8 Milliohms @ 10 mA    FINAL TEST: 10 Milliohms @ 10 mA  
 CONTACT VOLTAGE DROP: FINAL TEST: 100 mV MAX @ 10 A - 6Vdc  
 HI-POT: 1250 Vrms ALL POINTS, EXCEPT 1000 Vrms COIL TO CASE  
 INSULATION RESISTANCE: 100 MEGOHMS MIN @ 500 Vdc  
 VIBRATION: N/A  
 SEAL TEST:  $1 \times 10^{-8}$  MAX LEAK RATE    COIL TRANSIENT SUPPRESSION: N/A  
 OTHER: SEE SPECIAL INSTRUCTIONS BELOW



Prepared By: Date		Approved By: Date	
LES WYNNE 3-25-96		<i>[Signature]</i> 3-26-96	
Rev	ECN No.	Date	
A	96-065	3-25-96	

### SPECIAL INSTRUCTIONS

FINAL TEST ONLY: THERE SHALL BE NO ARMATURE NOISE AT  
 70V-60HZ PULL-IN AND AT 25V-60HZ  
 HOLD VOLTAGE