

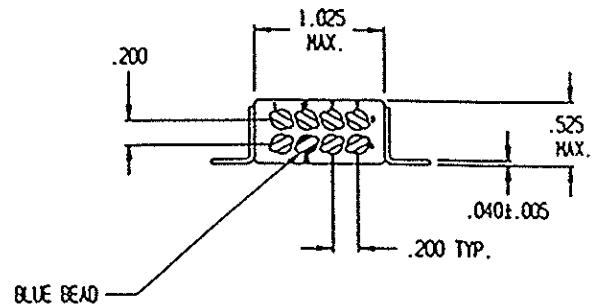
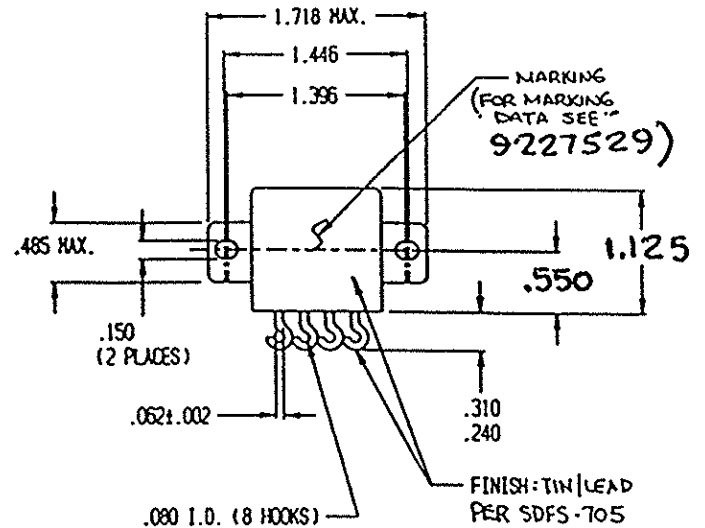
MSD INC.

ENGINEERING DATA SHEET

RELAY TYPE: FCA-210-CX7 COMPUTER PART No.: 9227529 TEST PROCEDURE  
 CUSTOMER/SPECIFICATION: CATALOG ITEM REV N/A MSDP-791

TEST REQUIREMENTS

COIL CURRENT: 100mA OPERATE TIME: 15mS MAX RELEASE TIME: 50mS MAX  
 CONTACT MAKE BOUNCE: 1mS MAX N.O. BREAK BOUNCE: N/A  
 CONTACT STABILIZATION TIME: N/A RATED COIL VOLTAGE: 28VAC-50/400 HZ  
 CONTACT RES.: MFG TEST: 8 Milliohms @ 10mA FINAL TEST: 10 Milliohms @ 10mA  
 CONTACT VOLTAGE DROP: FINAL TEST: 100mV @ 10A-6 Vdc  
 HI-POT: 1250 Vrms ALL POINTS, EXCEPT 1000 Vrms COIL TO CASE  
 INSULATION RESISTANCE: 100 MEGOHMS MIN @ 500 Vdc  
 VIBRATION: N/A  
 SEAL TEST: 1x10<sup>-8</sup> MAX LEAK RATE COIL TRANSIENT SUPPRESSION: N/A  
 OTHER: SEE SPECIAL INSTRUCTIONS BELOW



Prepared By: Date		Approved By: Date	
LES WYNNE 3-15-96			
Rev	ECN No.	Date	
A	96-065	3-15-96	

SPECIAL INSTRUCTIONS

FINAL TEST ONLY: THERE SHALL BE NO ARMATURE NOISE AT 16.0V-60HZ PULL-IN AND AT 10.0V-60HZ HOLD VOLTAGE