

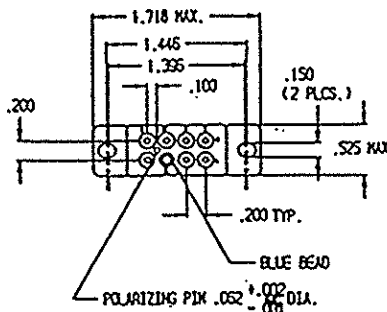
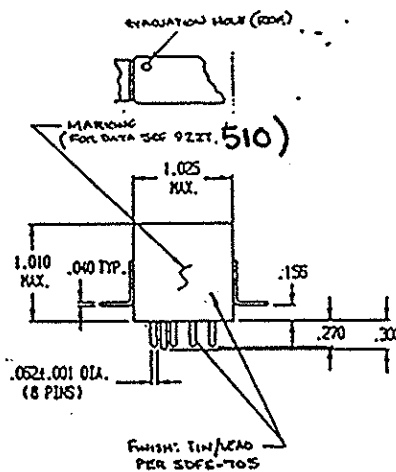
MSD INC.

ENGINEERING DATA SHEET

RELAY TYPE: FCA-210-BY4 COMPUTER PART No.: 9227510 TEST PROCEDURE
 CUSTOMER/SPECIFICATION: CATALOG ITEM REV NONE MSDP-791

TEST REQUIREMENTS

COIL RES.: $\pm 10\%$ 320 OHMS OPERATE TIME: 10ms MAX RELEASE TIME: 10ms MAX
 CONTACT MAKE BOUNCE: 1ms MAX N.O. BREAK BOUNCE: 0.1ms MAX
 CONTACT STABILIZATION TIME: N/A RATED COIL VOLTAGE: 28Vdc
 CONTACT RES.: MFG TEST: 8 Milliohms @ 10mA FINAL TEST: 10 Milliohms @ 10mA
 CONTACT VOLTAGE DROP: FINAL TEST: 100mV @ 10A-6Vdc
 HI-POT: 1250 Vrms ALL POINTS, EXCEPT 1000 Vrms COIL TO CASE
 INSULATION RESISTANCE: 100 MEGOHMS MIN @ 500 Vdc
 VIBRATION: N/A
 SEAL TEST: 1×10^{-8} MAX LEAK RATE COIL TRANSIENT SUPPRESSION: 42 Vdc
 OTHER: _____



Prepared By: Date		Approved By: Date	
LES WYNNE 3-15-96		[Signature] 3-19-96	
Rev	ECN No.	Date	
A	96-065	3-15-96	

SPECIAL INSTRUCTIONS