

RELAY TYPE: FCA-210-1008M | COMPUTER PART No.: 9227605

TEST PROCEDURE

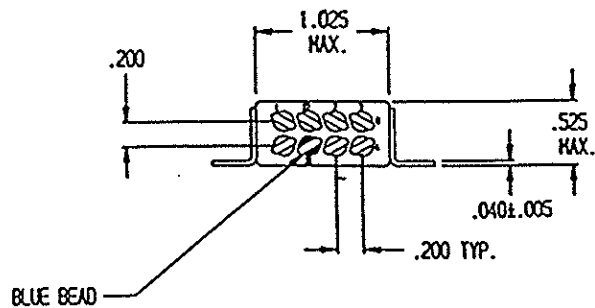
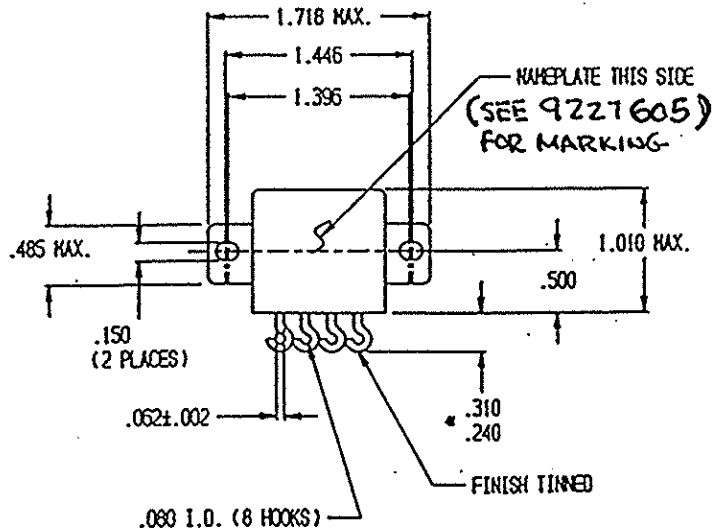
CUSTOMER/SPECIFICATION: M83536/10-008M

REV N/A

MSDP-790

TEST REQUIREMENTS

COIL RES.: $\pm 10\%$ 20 OHMS OPERATE TIME: 10ms MAX RELEASE TIME: 10ms MAX
 CONTACT MAKE BOUNCE: 1ms MAX N.O. BREAK BOUNCE: 0.1ms MAX
 CONTACT STABILIZATION TIME: 2.5 ms MAX RATED COIL VOLTAGE: 6 Vdc
 CONTACT RES.: MFG TEST: 8 Milliohms @ 10mA FINAL TEST: 10 Milliohms @ 10mA
 CONTACT VOLTAGE DROP: FINAL TEST: 100mV @ 10A-6 Vdc
 HI-POT: 1250 Vrms ALL POINTS, EXCEPT 1000 Vrms COIL TO CASE
 INSULATION RESISTANCE: 100 MEGOHMS MIN @ 500 Vdc
 VIBRATION: MIL-STD-202, METHOD 204 (30G's / 100-3000 Hz)
 SEAL TEST: 1×10^{-8} MAX LEAK RATE COIL TRANSIENT SUPPRESSION: 42 Vdc MAX
 OTHER: _____



Prepared By: Date		Approved By: Date	
LES WYNNE 5-23-96			
Rev	ECN No.	Date	
A	96-065	5-23-96	

SPECIAL INSTRUCTIONS