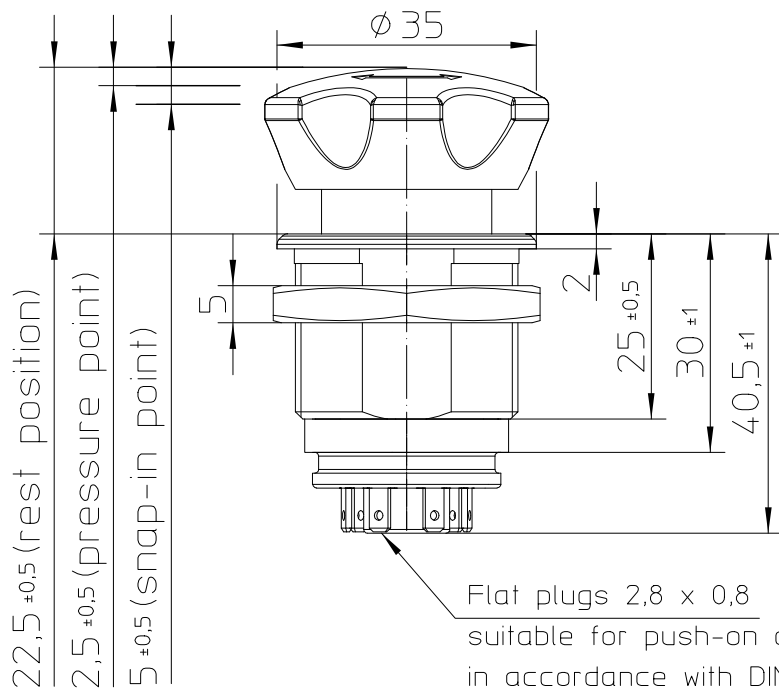
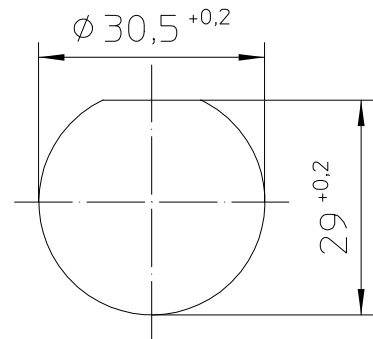
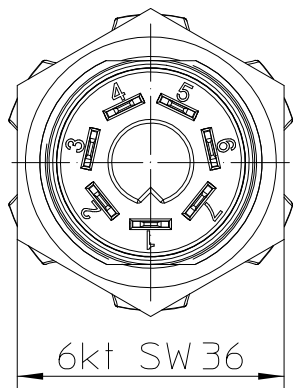
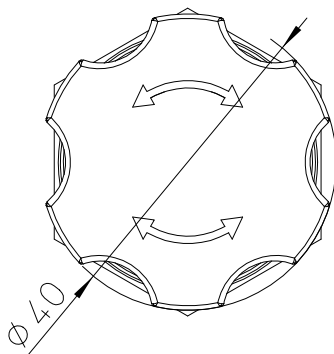


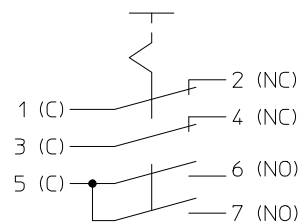
Mounting dimensions



Flat plugs 2,8 x 0,8
suitable for push-on contact,
in accordance with DIN 46247



Circuit diagram



For this drawing we reserve the copyright
in accordance with DIN ISO 16016

	Date	Name
Create	19.04.2018	Baumg
Edited	08.10.2019	Hamar
Check	09.10.2019	Baumg

mm	Scale
↔	1:1
General Tolerances DIN ISO 2768 cL	



Drawing No:

ES-2012-T212

NSN:

