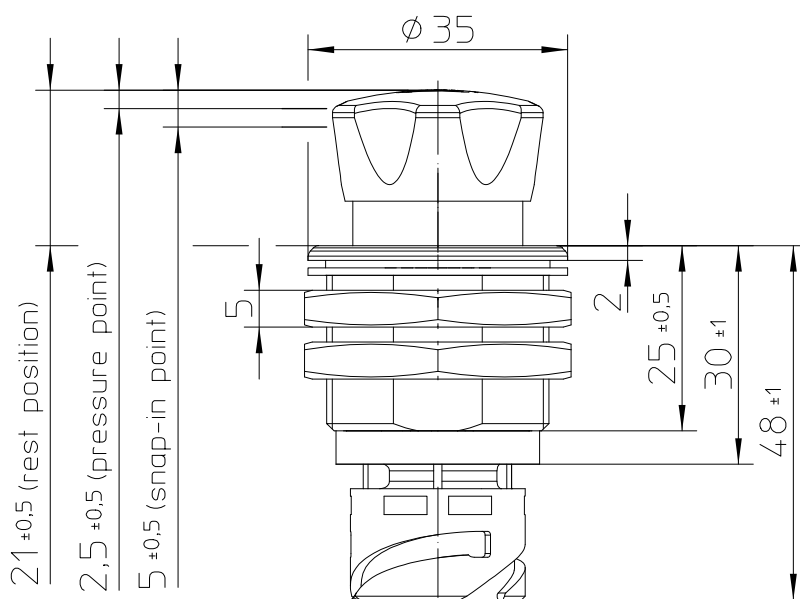
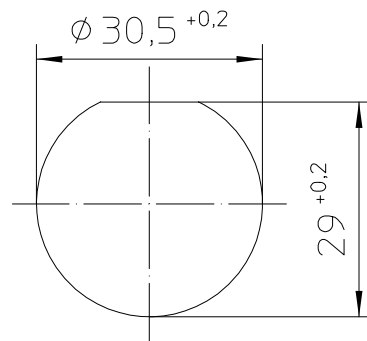
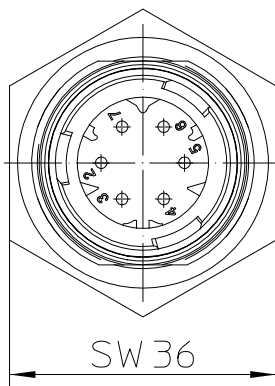
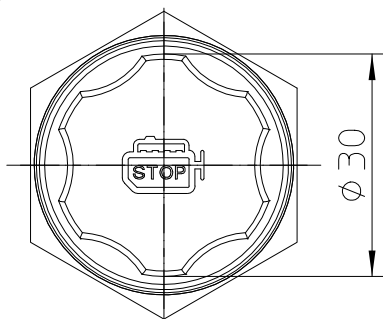


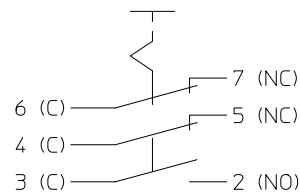
Mounting Dimensions



plug and socket device
6-pol in accordance to
DIN 72585 / ISO 15170



Circuit Diagram:



For this drawing we reserve the copyright in accordance with DIN ISO 16016

	Date	Name
Create	22.04.2016	Hamar
Edited	08.10.2019	Hamar
Check	09.10.2019	Baumg

mm	Scale
	1:1
General Tolerances DIN ISO 2768 cL	



Drawing No:	ES-2012-A111 900
NSN:	

Technical Data

Construction

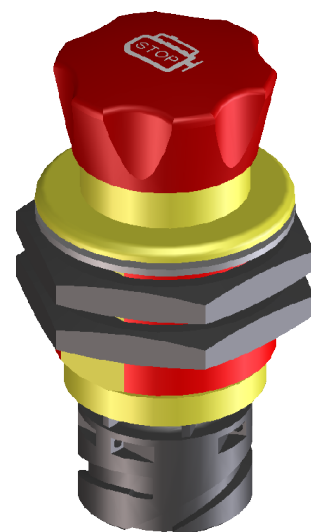
Material socket	PA GF RAL 1003; UL 94 V0
Material button	PA GK RAL 3000; UL 94 HB
Protection interior	IP67 IEC 60529
.....	IP6K9K IEC 60529
connector (in mated condition)	IP67/ IP6K9K IEC 60529
Shock resistance	ISO 16750-3; 50g/ 6ms half sinus
Vibration resistance	ISO 16750-3; Test VII
Climatic resistance	IEC 60068-2-38
Chemical resistance	ISO 16750-5; Code Z
Temperature range	-40°C to +85°C
Torque M30x1,5 max.	6 Nm
Weight	ca. 75g




Mechanical Data

Locking (turn to reset)	EN 60947-5-5
Positive opening operation (NO)	EN 60947-5-1
Switching sequence	BBM - Break before make
Operating force max.	20-50 N
Torque knob max.	3 Nm
Current carrying party	Cu-Alloy
Contact material	Ag-Alloy
Mechanical life	40 000 cycles

Electrical Data

Voltage range	9VDC to 32VDC
Nominal voltage	12VDC / 24VDC
Dielectric withstanding voltage	1050 VAC for 1 min.
contact resistance	max. 50 mOhm
Insulation resistance	> 100 MOhm at 500 VDC
Continuous current	10mA to 10A
Current max.	10,1 A
Switching capacity min.	12 VDC, 10mA
Electrical life	
at 10 A / 28 VDC ohmic load	10 000 cycles
at 5 A / 28 VDC ohmic load	40 000 cycles
at 2 A / 28 VDC ohmic load	40 000 cycles
Short circuit protection	Automotive fast-acting fuse 10A



	Date	Name				Drawing No:
Create	22.04.2016	Hamar				General Tolerances
Edited	08.10.2019	Hamar	DIN ISO 2768 cL			NSN.:
Check	09.10.2019	Baumg				