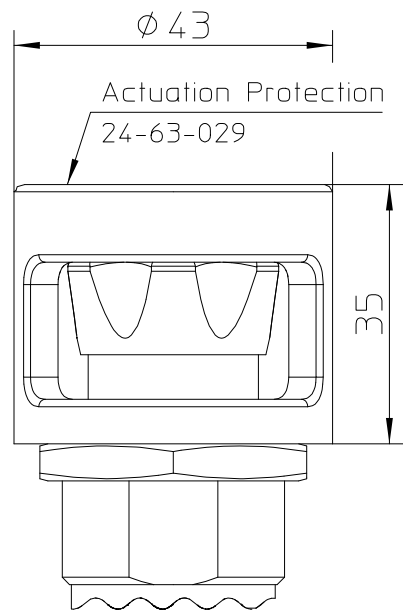
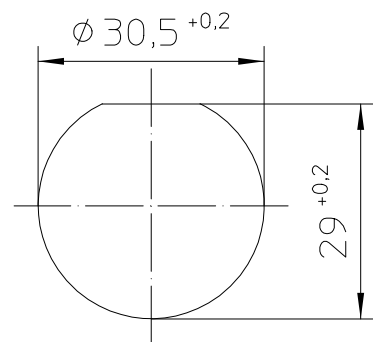
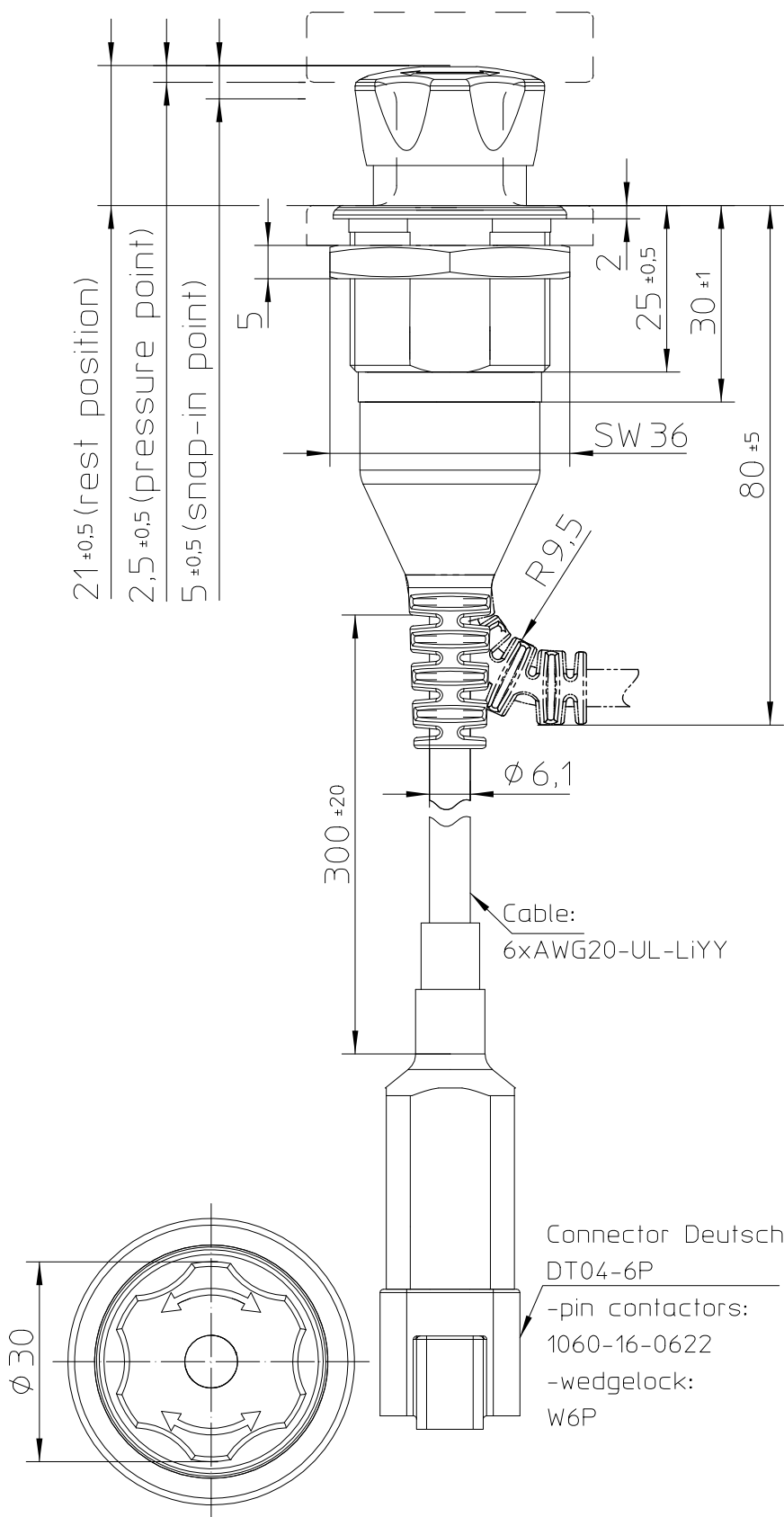
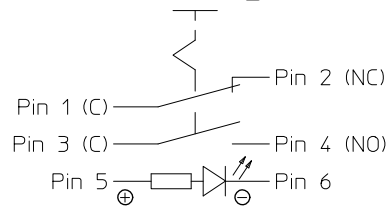


Mounting dimensions



Circuit Diagram:



For this drawing we reserve the copyright in accordance with DIN ISO 16016

	Date	Name
Create	05.09.2018	Nonne
Edited	12.08.2019	Baumg
Check	13.08.2019	Nonne

mm	Scale
	1:1
General Tolerances DIN ISO 2768 cL	



Drawing No:	ES-2011-T321-030C 907
NSN:	

Technical Data

Construction

Material socket.....	PA GF RAL 1003; UL 94 V0
Material button.....	PA GF RAL 3000; UL 94 HB
Material Actuation Protection.....	PA GF RAL 1003; UL 94 V0
Material lense.....	POM, UL 94 HB
Illumination colour.....	red transparent
LED-luminous colour.....	white
LED-illuminance.....	1400 mcd
Protection interior.....	IP67 IEC 60529
.....	IP6K9K IEC 60529
connector (in mated condition).....	IP67/ IP6K9K IEC 60529
Shock resistance.....	ISO 16750-3; 50g/ 6ms half sinus
Vibration resistance.....	ISO 16750-3; Test VII
Climatic resistance.....	IEC 60068-2-38
Chemical resistance.....	ISO 16750-5; Code Z
Temperature range.....	-40°C to +85°C
Torque M30x1,5 max.....	6 Nm
Weight.....	approx. 110g

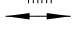
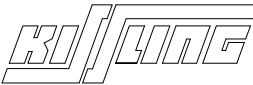
Mechanical Data

Locking (turn to reset).....	EN 60947-5-5
Positive opening operation (NO).....	EN 60947-5-1
Operating force max.....	20-50 N
Torque knob max.....	3 Nm
Current carrying party.....	Cu-Alloy
Contact material.....	Ag-Alloy
Mechanical life.....	40 000 cycles

Electrical Data

Voltage range.....	9VDC to 32VDC
Nominal voltage.....	12VDC / 24VDC
Dielectric withstanding voltage.....	1050 VAC for 1 min.
contact resistance.....	max. 50 mOhm
Insulation resistance.....	> 100 MOhm at 500 VDC
Continuous current.....	10mA to 8A
Current max.....	10,1 A
Switching capacity min.....	12 VDC, 10mA
Electrical life.....	
at 8 A / 28 VDC ohmic load.....	10 000 cycles
at 5 A / 28 VDC ohmic load.....	40 000 cycles
at 2 A / 28 VDC ohmic load.....	40 000 cycles
Short circuit protection.....	Automotive fast-acting fuse 10A

For this drawing we reserve the copyright in accordance with DIN ISO 16016

	Date	Name	 mm	Scale 1:1		Drawing No:
Create	05.09.2018	Nonne				General Tolerances DIN ISO 2768 cL
Edited	12.08.2019	Baumg				NSN:
Check	13.08.2019	Nonne				