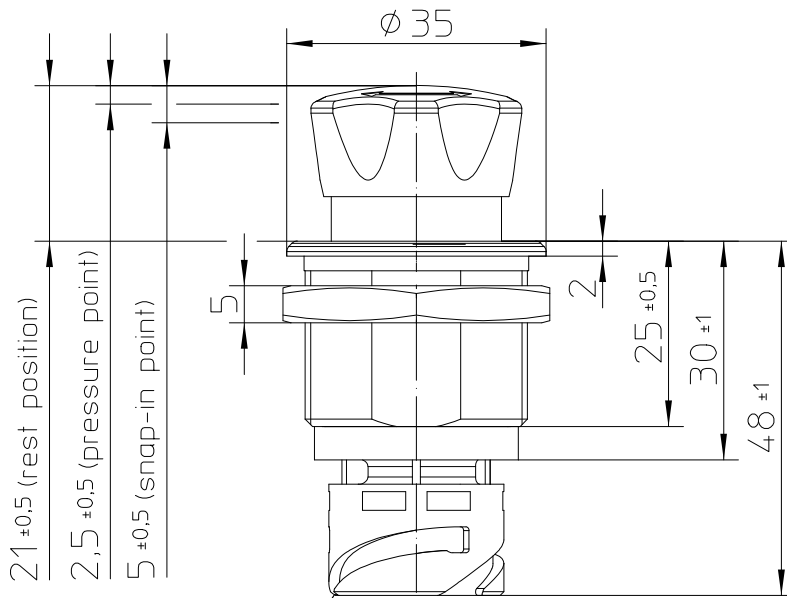
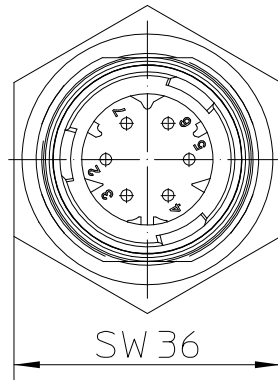
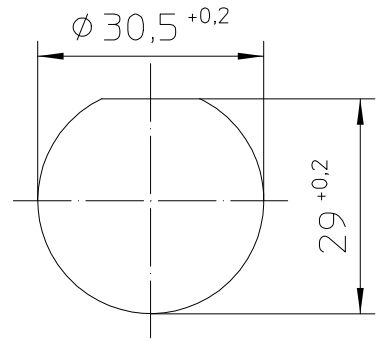
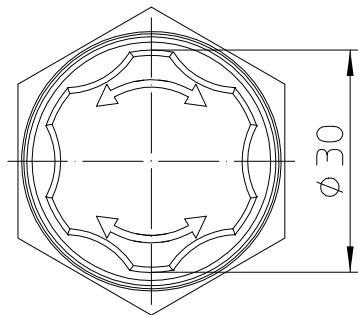


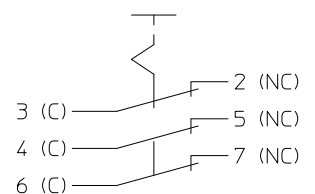
Mounting Dimensions



plug and socket device
6-pol in accordance to
DIN 72585 / ISO 15170



Circuit Diagram:



For this drawing we reserve the copyright in accordance with DIN ISO 16016

| | Date | Name |
|--------|------------|-------|
| Create | 11.07.2016 | Hamar |
| Edited | 23.05.2019 | Hamar |
| Check | 23.05.2019 | Baumg |

mm

Scale
1:1

General Tolerances
DIN ISO 2768 cL



Drawing No:

ES-2003-T111

NSN:

