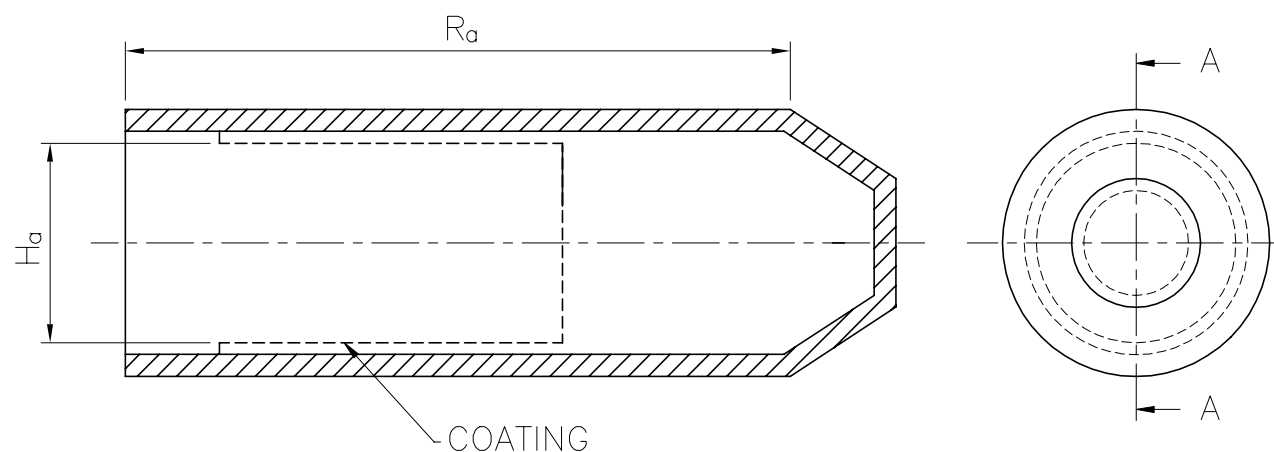


REVISIONS

P	LTR	DESCRIPTION	DATE	DWN	APVD
1		NEW DRAWING	13NOV2020	KR	AM

SECTION A-A

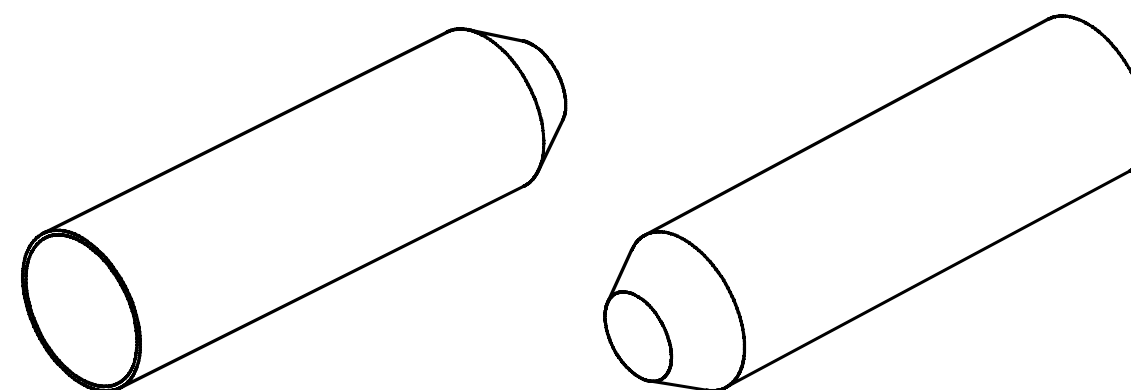


NOTES:

- HEATSHRINK MATERIAL: SEMI-RIGID THERMOPLASTIC MATERIAL, ELECTRICALLY INSULATING, WEATHER, CORROSION AND IMPACT RESISTANT. STABILIZED AGAINST UV IRRADIATION. COLOUR=BLACK
- ADHESIVE/SEALANT: /S (TYPE /239) HOT MELT ADHESIVE PROVIDES WATER TIGHT AND ENVIRONMENTAL SEAL.
- APPLICATION: MV & LV CABLE AND SEALS  
LV CABLE LIVE END SEALS,
- DIMENSIONS IN mm. a = AS SUPPLIED, b = AFTER FREE RECOVERY
- [ONLY FOR DRAWING IN EXPANDED CONDITION]  
DRAWING SHOWS ONLY THE TYPICAL SHAPE IN EXPANDED CONDITONS
- PRODUCT VARIANTS:  
-R05 (PRINTING): Raychem + DESCRIPTION + Ha/Hb  
-R06 (PRINTING): Raychem + DESCRIPTION + Ha/Hb + FLASH SYMBOL  
-R10 (PRINTING): LOT NUMBER  
-R15 (PRINTING): LOT NUMBER. + Ha/Hb  
-R07, -R08, -R09 (DIMENSIONS): SEE TABLE

DIMENSIONS IN EXPANDED CONDITION

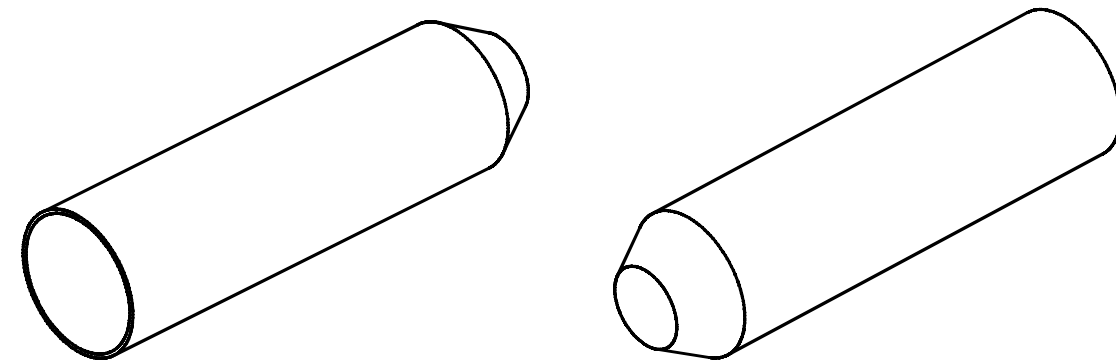
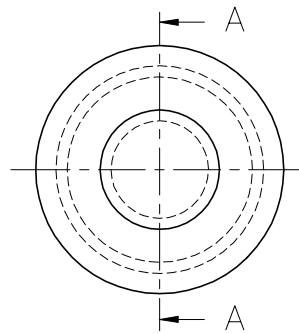
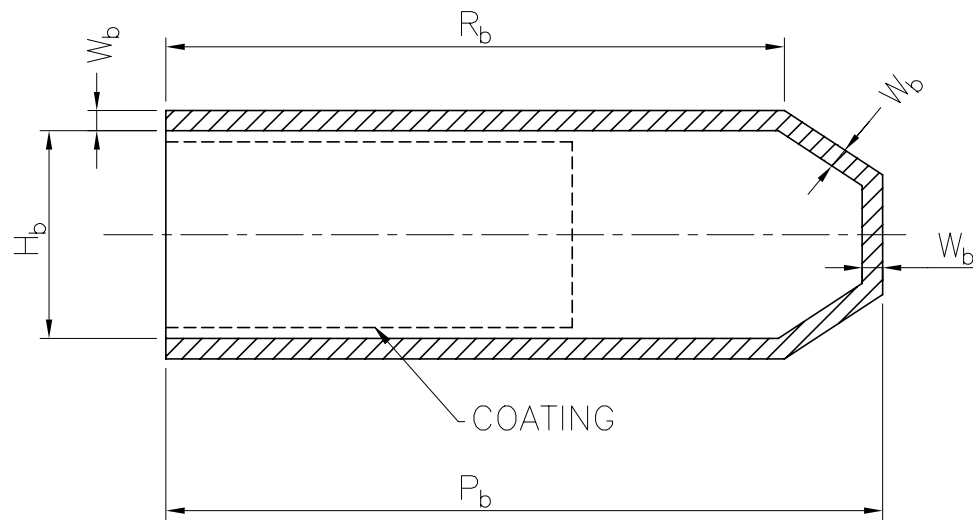
DESCRIPITON	Ha MIN	Ra ±10%
102L011-R07	10	20
102L011	10	34
102L022-R08	20.5	32
102L022	20.5	50
102L033-R09	35	50
102L033	35	90
102L044-R09	55	81
102L044	55	134
102L048-R09	75	92
102L048	75	170
102L055	100	144
102L066	120	137



THIS DRAWING IS A CONTROLLED DOCUMENT.		DWN 13NOV2020 RAGHAVENDRA K			
		CHK 13NOV2020 ANGEL. M			
DIMENSIONS: mm		APVD 13NOV2020 ANGEL. M	NAME END CAP (EXPANDED)		
		PRODUCT SPEC —	RESTRICTED TO —		
TOLERANCES UNLESS OTHERWISE SPECIFIED:		APPLICATION SPEC —	SIZE A3	CAGE CODE 00779	DRAWING NO EPD-202-32017-01
0 PLC ± - 1 PLC ± - 2 PLC ± - 3 PLC ± - 4 PLC ± - ANGLES ± -		WEIGHT —	SCALE NTS	SHEET 1 of 2	REV 1
MATERIAL —		CUSTOMER DRAWING			

P	LTR	DESCRIPTION	DATE	DWN	APVD
-	-	SEE SHEET 1	-	-	-

SECTION A-A



DIMENSIONS IN RECOVERED CONDITION

DESCRIPITON	Hb MAX	Pb ±15%	Rb ±15%	Wb ±20%
102L011-R07	04	38	34	2.8
102L011	04	38	34	2.8
102L022-R08	7.5	55	50	2.8
102L022	7.5	55	50	2.8
102L033-R09	15	90	80	3.2
102L033	15	90	80	3.2
102L044-R09	25	143	130	3.9
102L044	25	143	130	3.9
102L048-R09	32	150	140	3.3.
102L048	32	150	140	3.3
102L055	45	162	140	3.8
102L066	70	145	123	3.8

THIS DRAWING IS A CONTROLLED DOCUMENT.		DWN RAGHAVENDRA K 13NOV2020	TE Connectivity	
		CHK ANGEL. M 13NOV2020		
		APVD ANGEL. M 13NOV2020	NAME END CAP (RECOVERED)	
DIMENSIONS: mm		TOLERANCES UNLESS OTHERWISE SPECIFIED:		SIZE A3
		0 PLC ± -		CAGE CODE 00779
		1 PLC ± -		DRAWING NO EPD-202-32017-01
		2 PLC ± -		RESTRICTED TO -
		3 PLC ± -		
		4 PLC ± -		
		ANGLES ± -		
MATERIAL -		FINISH -		SCALE NTS
		WEIGHT		SHEET 2 of 2
		CUSTOMER DRAWING		REV 1