

4

3

2

1

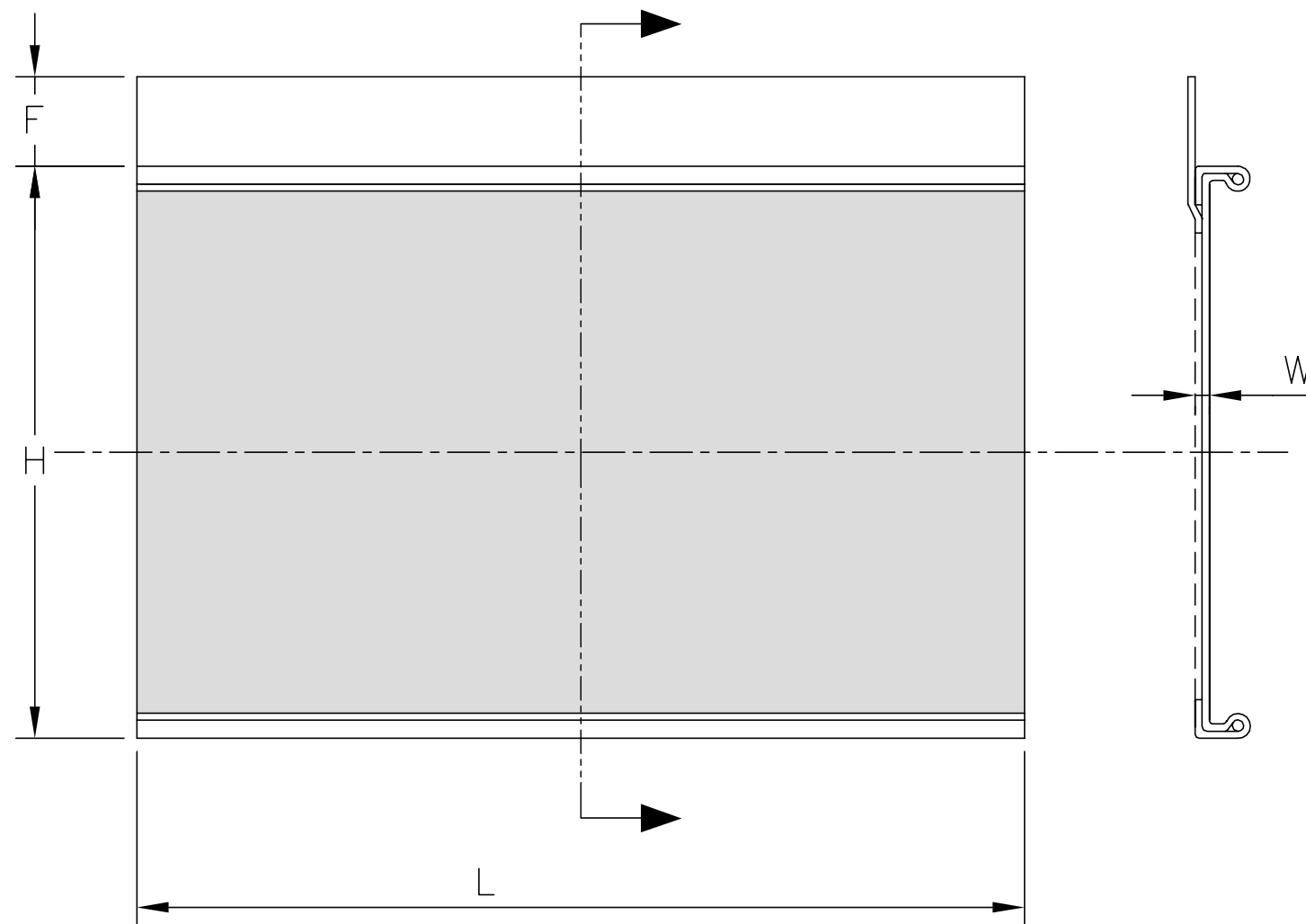
© - TE Connectivity. All Rights Reserved.

REVISIONS

P	LTR	DESCRIPTION	DATE	DWN	APVD
1		NEW DRAWING	28AUG2020	GSK	AMO

D

D



NOTES

- DIMENSIONS IN mm. a = AS SUPPLIED, b = AFTER FREE RECOVERY
- STANDARD LENGTHS L: 1000 mm, 1500 mm. OTHER CUT LENGTHS AVAILABLE UNDER REQUEST.
- MAXIMUM LONGITUDINAL CHANGE AFTER FREE RECOVERY: -5%
- STANDARD CUT LENGTH TOLERANCES:
  - ± 5 mm (P ≤ 500)
  - ± 10 mm (P < 1000)
  - ± 15 mm (P < 1500)
  - ± 1% (P > 1500)
- STANDARD PRINTING: PRODUCT SIZE
- REINFORCED HEAT SHRINK MATERIAL WITH INTEGRAL ALU BARRIER

C

C

B


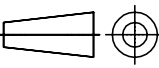
B

PRODUCT SIZE	APPLICATION RANGE (MM)		Ha NOM	Fa NOM	W	
	DIAMETER				a MIN	b MIN
	MIN.	MAX.				
43/8	8	45	180	20	1.1	3
55/12	12	55	215	20	1.1	3
84/15	15	84	305	20	1.1	3
100/25	25	100	365	20	1.1	3
125/30	30	125	435	20	1.1	3
164/42	42	164	560	20	1.1	3
200/50	50	200	690	20	1.1	3



A

A

THIS DRAWING IS A CONTROLLED DOCUMENT.		DWN RAGHAVENDRA K 28AUG2020	 TE Connectivity				
DIMENSIONS: mm		CHK AMO 28AUG2020					
TOLERANCES UNLESS OTHERWISE SPECIFIED:		APVD AMO 28AUG2020	NAME CFMS REINFORCED WRAPAROUND SLEEVES				
 0 PLC ± - 1 PLC ± - 2 PLC ± - 3 PLC ± - 4 PLC ± - ANGLES ± -		PRODUCT SPEC -	APPLICATION SPEC -				
MATERIAL -		FINISH -	WEIGHT -	SIZE A3	CAGE CODE 00779	DRAWING NO EPD-202-32015-01	RESTRICTED TO -
CUSTOMER DRAWING			SCALE NTS	SHEET 1 of 1	REV 1		