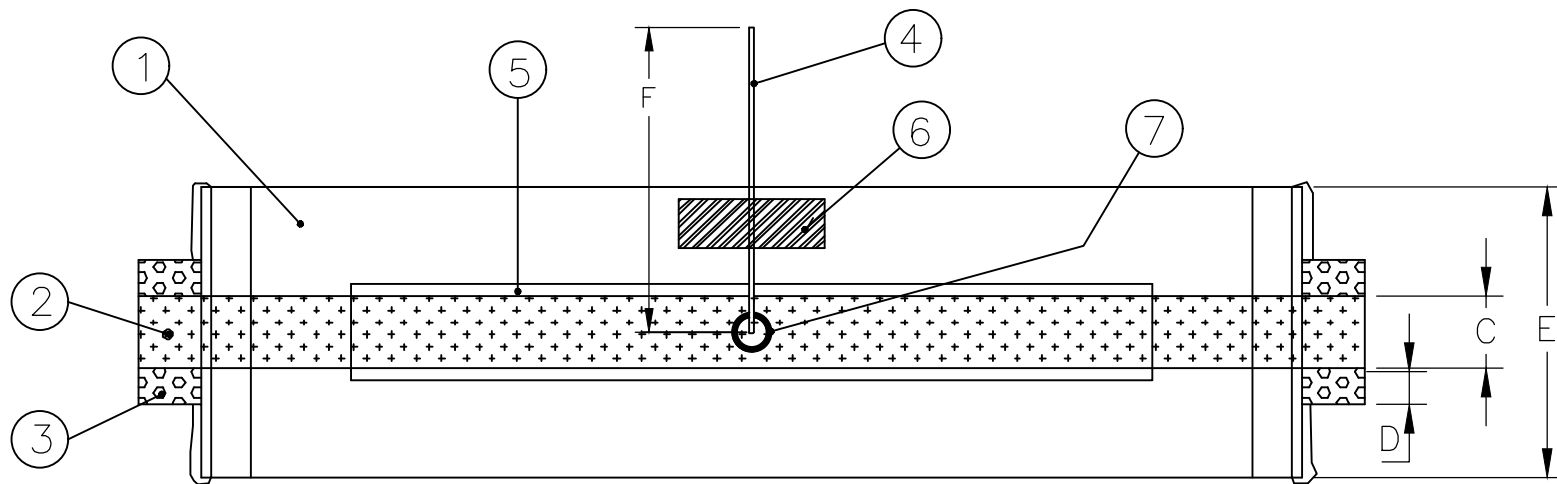
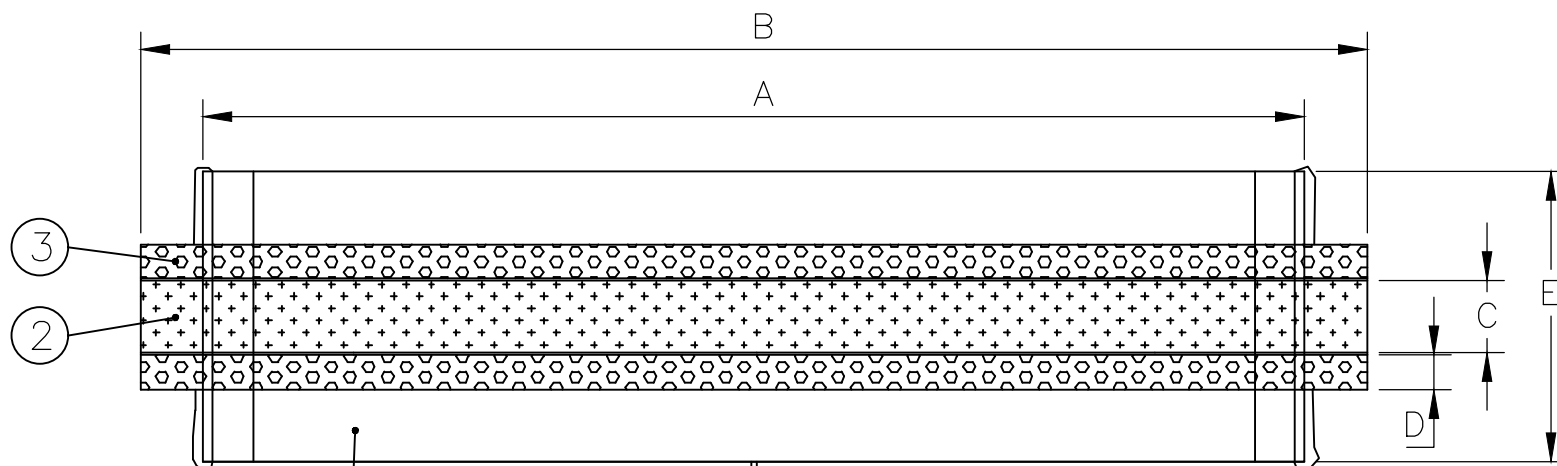


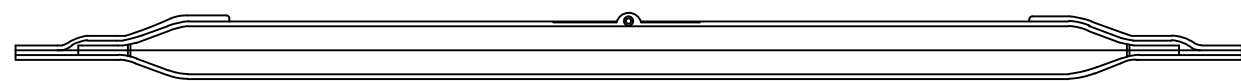
P	LTR	DESCRIPTION	DATE	DWN	APVD
	1	NEW DRAWING	16JUL2020	KR	AMO



TOP VIEW (DUCT SIDE)



BOTTOM VIEW (CABLE SIDE)



SIDE VIEW

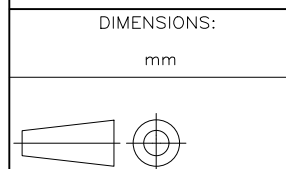
DIMENSIONS (in mm)

PRODUCT SIZE	A Nom.	B Nom.	C NOM.	D Nom.	E Nom.	F Nom.
35	140	155	30	NA	120	195
45	155	183	30	15	120	195
60	220	262	30	15	120	195
75	290	332	30	15	120	195
90	380	422	30	15	120	195
100	440	482	30	15	120	195
125	525	567	30	15	120	195
150	625	667	30	15	120	195

TABLE PARAMETERS:

A: LAMINATE LENGTH	DRAWING KEY	①. ALUMINUM LAMINATE
B: MASTIC LENGTH		②. MASTIC TAPE
C: MASTIC WIDTH		③. FOAM STRIPS (EXCEPT SIZE 35)
D: FOAM WIDTH		④. AIR TUBE
E: LAMINATE WIDTH		⑤. CLING FILM (EXCEPT SIZE 35)
F: TUBE LENGTH		⑥. TAPE
		⑦. RUBBER RING

THIS DRAWING IS A CONTROLLED DOCUMENT.



MATERIAL  
SEE DRAWING KEY

DIMENSIONS:	TOLERANCES UNLESS OTHERWISE SPECIFIED:
mm	
0 PLC	± -
1 PLC	± -
2 PLC	± -
3 PLC	± -
4 PLC	± -
ANGLES	± -
FINISH	-

DWN	16JUL2020
CHK	RAGHAVENDRA K
APVD	16JUL2020
PRODUCT SPEC	AMO
APPLICATION SPEC	-
WEIGHT	-



RDSS DUCT SEALING SYSTEM

NAME			
SIZE	CAGE CODE	DRAWING NO	RESTRICTED TO
A3	00779	C-EPD-202-312007-01	-

CUSTOMER DRAWING	SCALE	SHEET	REV
	NTS	1 OF 1	1