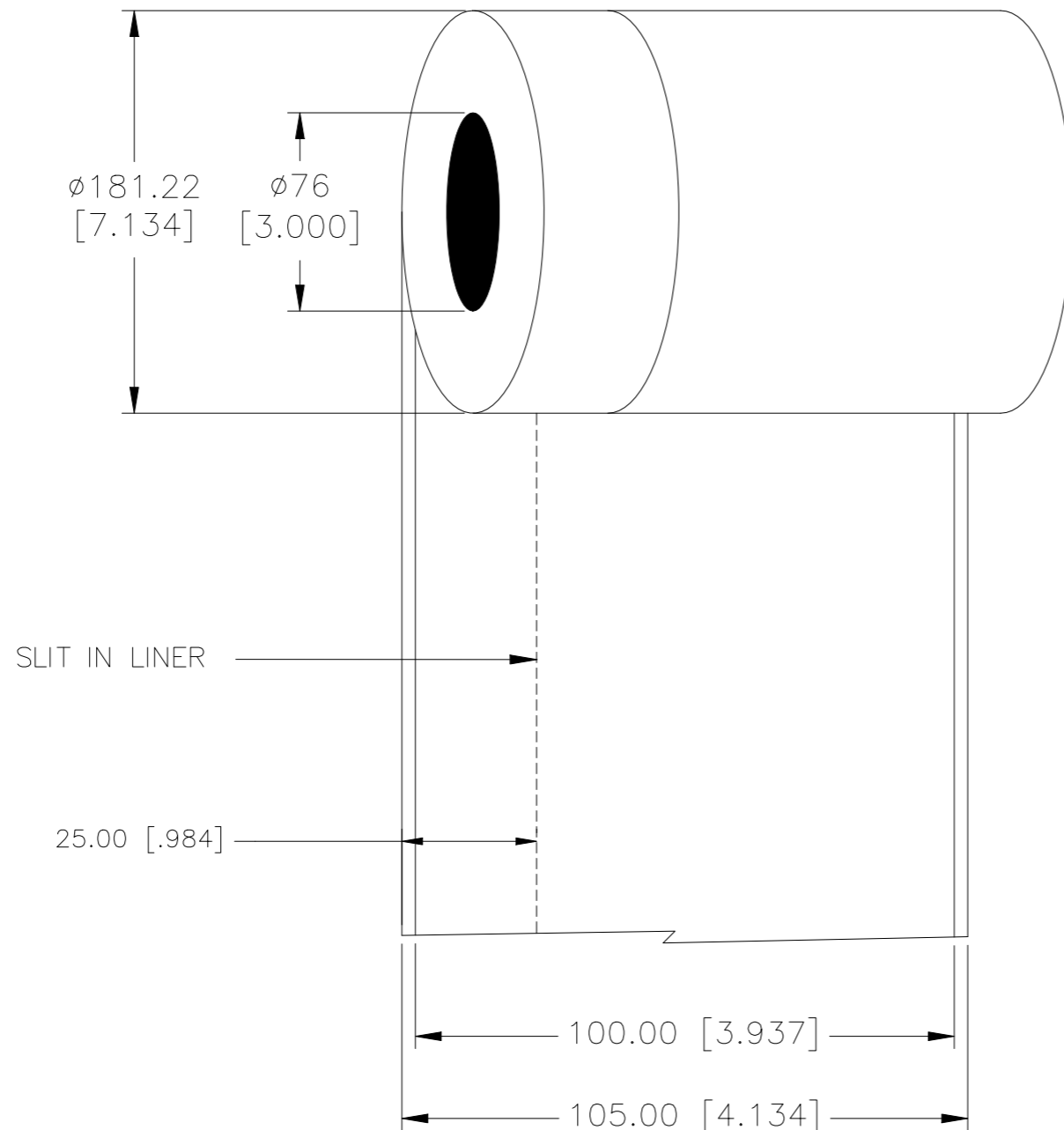


REVISIONS

P	LTR	DESCRIPTION	DATE	DWN	APVD
	A1	ECR-23-178871	19JUN2023	MN	AK

PRESENTATION



All dimensions in mm [Inch]

TE PN: 4-1768019-9

**INSIDE WOUND
LABEL ACROSS: 1
PER ROLL QTY: 125m**

MATERIAL DESCRIPTION	WHITE SOFT PVC
ADHESIVE TYPE	PERMANENT ACRYLIC
LINER	GLASSINE PAPER

TOLERANCES mm [INCH]	
LABEL HEIGHT:	±0.3 [.012]
LABEL WIDTH:	±0.3 [.012]
WEB WIDTH:	±0.8 [.031]
VERTICAL REPEAT:	±0.8 [.031]*
HORIZONTAL REPEAT:	±0.8 [.031]*
PRINT POSITIONING:	±0.8 [.031]*
LEFT MARGIN:	±0.4 [.016]
QUANTITY:	-0 % +2 %
*NON ACCUMULATING	

THIS DRAWING IS A CONTROLLED DOCUMENT.

DIMENSIONS: mm [INCHES]	TOLERANCES UNLESS OTHERWISE SPECIFIED:
	0 PLC ± -
	1 PLC ± -
	2 PLC ± -
	3 PLC ± -
	4 PLC ± -
ANGLES ± -	± -
FINISH	-

MATERIAL	SEE TABLE
----------	-----------

DWN	GOPALAKRISHNA HV	07FEB2022
CHK	MIKE NUTTALL	07FEB2022
APVD	MIKE NUTTALL	07FEB2022
PRODUCT SPEC	TTDS-207	
APPLICATION SPEC	-	
WEIGHT	1692g	A3C2290

		TE Connectivity	
		EET CONTINUOUS LABEL 100mm x 125m	
SIZE	CAGE CODE	DRAWING NO	RESTRICTED TO
A3	C2290	C-EET-M0100V-9	-
CUSTOMER DRAWING		SCALE	SHEET
		NTS	1 OF 1
		REV	A1