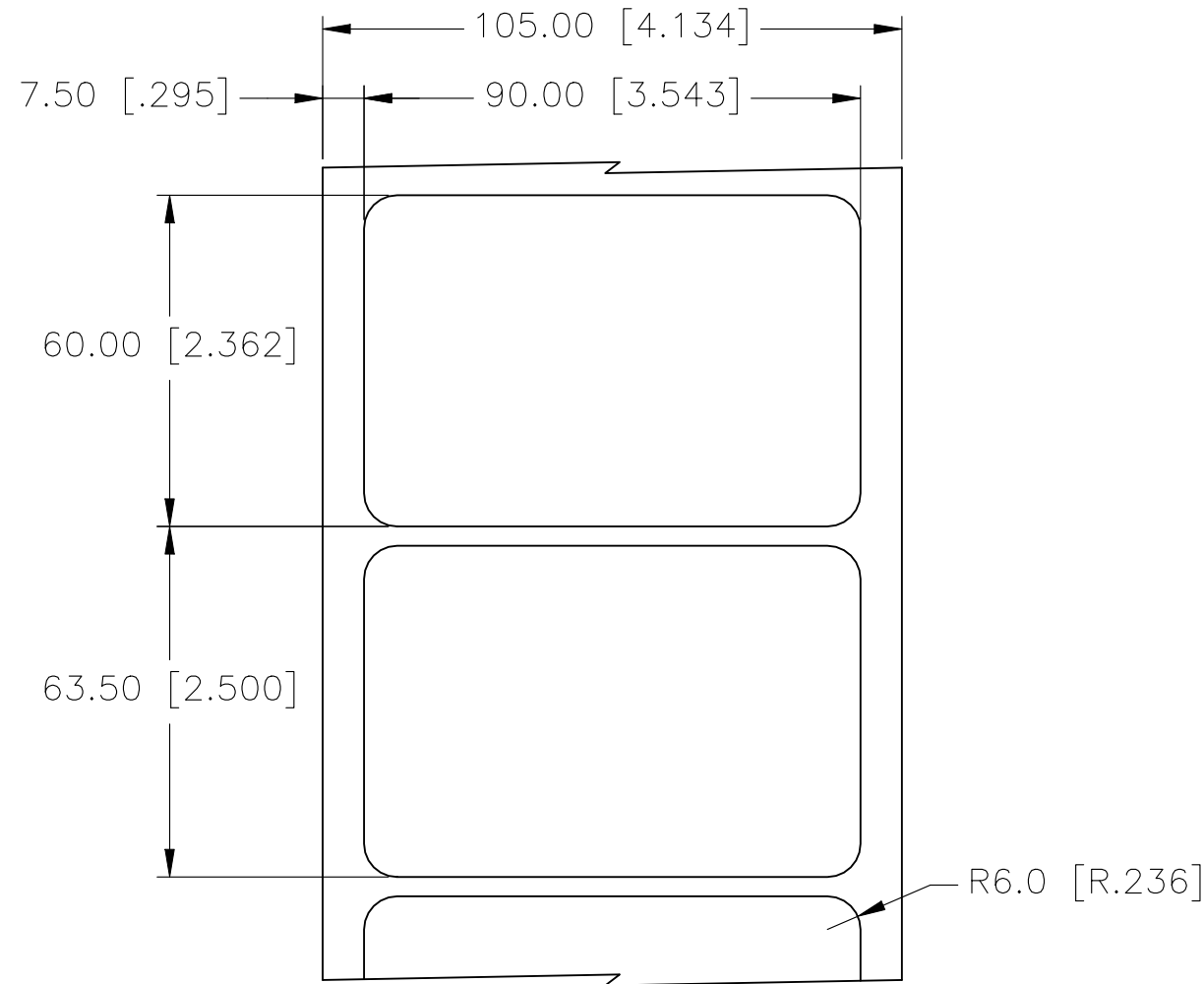
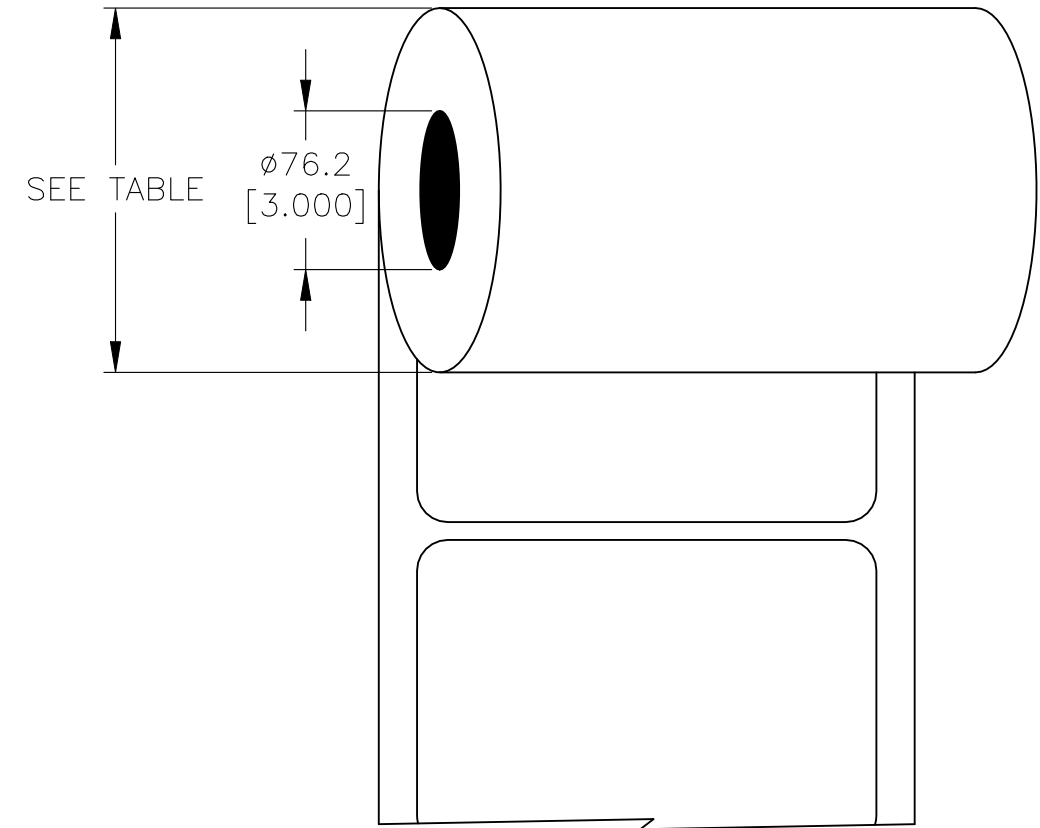


P	LTR	DESCRIPTION	DATE	DWN	APVD
	B	ECR-20-017666	29DEC2020	GK	MN

**LABEL AND LINER DESIGN**



**PRESENTATION**



DESCRIPTION	TEPN	MATERIAL DESCRIPTION	TTDS	WEIGHT (g)	ROLL DIAMETER (mm) ± 10	ROLL DIAMETER (Inch) ± 0.393
EET-6090P-4	3-1768019-3	YELLOW POLYESTER	TTDS-174	0.660	204.31	8.04
EET-6090P-8A	3-1768019-4	SILVER POLYESTER	TTDS-175	0.525	204.31	8.04
EET-6090P-9	3-1768019-5	WHITE POLYESTER	TTDS-177	0.507	195.82	7.71
EET-6090PY-9	3-1768019-6	WHITE POLYETHYLENE	TTDS-178	0.597	222.49	8.76
EET-6090V-4-W	3-1768019-7	WARNING YELLOW FLEXIBLE PVC	TTDS-184	0.597	206.67	8.14
EET-6090V-8A	3-1768019-8	SILVER FLEXIBLE PVC	TTDS-PV330	0.607	204.31	8.04
EET-6090V-9	3-1768019-9	WHITE FLEXIBLE PVC	TTDS-207	0.731	209.58	8.25

**INSIDE WOUND LABEL ACROSS: 1 PER ROLL QTY: 3000**

ADHESIVE TYPE	PERMANENT
LINER	GLASSINE PAPER

<p>TOLERANCES mm [INCH]</p> <table border="1"> <tr><td>LABEL HEIGHT:</td><td>±0.3 [.012]</td></tr> <tr><td>LABEL WIDTH:</td><td>±0.3 [.012]</td></tr> <tr><td>WEB WIDTH:</td><td>±0.8 [.031]</td></tr> <tr><td>VERTICAL REPEAT:</td><td>±0.8 [.031]*</td></tr> <tr><td>HORIZONTAL REPEAT:</td><td>±0.8 [.031]*</td></tr> <tr><td>PRINT POSITIONING:</td><td>±0.8 [.031]*</td></tr> <tr><td>LEFT MARGIN:</td><td>±0.4 [.016]</td></tr> <tr><td>QUANTITY:</td><td>-0 % +2 %</td></tr> <tr><td colspan="2">*NON ACCUMULATING</td></tr> </table>		LABEL HEIGHT:	±0.3 [.012]	LABEL WIDTH:	±0.3 [.012]	WEB WIDTH:	±0.8 [.031]	VERTICAL REPEAT:	±0.8 [.031]*	HORIZONTAL REPEAT:	±0.8 [.031]*	PRINT POSITIONING:	±0.8 [.031]*	LEFT MARGIN:	±0.4 [.016]	QUANTITY:	-0 % +2 %	*NON ACCUMULATING		<p>THIS DRAWING IS A CONTROLLED DOCUMENT.</p> <p>DIMENSIONS: mm [INCHES]</p> <p>TOLERANCES UNLESS OTHERWISE SPECIFIED:</p> <table border="1"> <tr><td>0 PLC</td><td>± -</td></tr> <tr><td>1 PLC</td><td>± -</td></tr> <tr><td>2 PLC</td><td>± -</td></tr> <tr><td>3 PLC</td><td>± -</td></tr> <tr><td>4 PLC</td><td>± -</td></tr> <tr><td>ANGLES</td><td>± -</td></tr> <tr><td>FINISH</td><td>-</td></tr> </table> <p>MATERIAL: SEE TABLE</p>	0 PLC	± -	1 PLC	± -	2 PLC	± -	3 PLC	± -	4 PLC	± -	ANGLES	± -	FINISH	-	<table border="1"> <tr><td>DWN</td><td>29DEC2020</td></tr> <tr><td>CHK</td><td>GOPALAKRISHNA HV</td></tr> <tr><td>APVD</td><td>MIKE NUTTALL</td></tr> <tr><td>PRODUCT SPEC</td><td>SEE TABLE</td></tr> <tr><td>APPLICATION SPEC</td><td>SEE TABLE</td></tr> <tr><td>WEIGHT</td><td>SEE TABLE</td></tr> </table>	DWN	29DEC2020	CHK	GOPALAKRISHNA HV	APVD	MIKE NUTTALL	PRODUCT SPEC	SEE TABLE	APPLICATION SPEC	SEE TABLE	WEIGHT	SEE TABLE	<p>NAME: EET LABELS 60.00mm x 90.00mm</p> <p>SIZE: A3 CAGE CODE: C2290 DRAWING NO: EET-6090</p> <p>RESTRICTED TO: -</p>
LABEL HEIGHT:	±0.3 [.012]																																															
LABEL WIDTH:	±0.3 [.012]																																															
WEB WIDTH:	±0.8 [.031]																																															
VERTICAL REPEAT:	±0.8 [.031]*																																															
HORIZONTAL REPEAT:	±0.8 [.031]*																																															
PRINT POSITIONING:	±0.8 [.031]*																																															
LEFT MARGIN:	±0.4 [.016]																																															
QUANTITY:	-0 % +2 %																																															
*NON ACCUMULATING																																																
0 PLC	± -																																															
1 PLC	± -																																															
2 PLC	± -																																															
3 PLC	± -																																															
4 PLC	± -																																															
ANGLES	± -																																															
FINISH	-																																															
DWN	29DEC2020																																															
CHK	GOPALAKRISHNA HV																																															
APVD	MIKE NUTTALL																																															
PRODUCT SPEC	SEE TABLE																																															
APPLICATION SPEC	SEE TABLE																																															
WEIGHT	SEE TABLE																																															
<p>CUSTOMER DRAWING</p>		<p>SCALE: NTS SHEET: 1 OF 1 REV: B</p>	<p>TE Connectivity</p>																																													