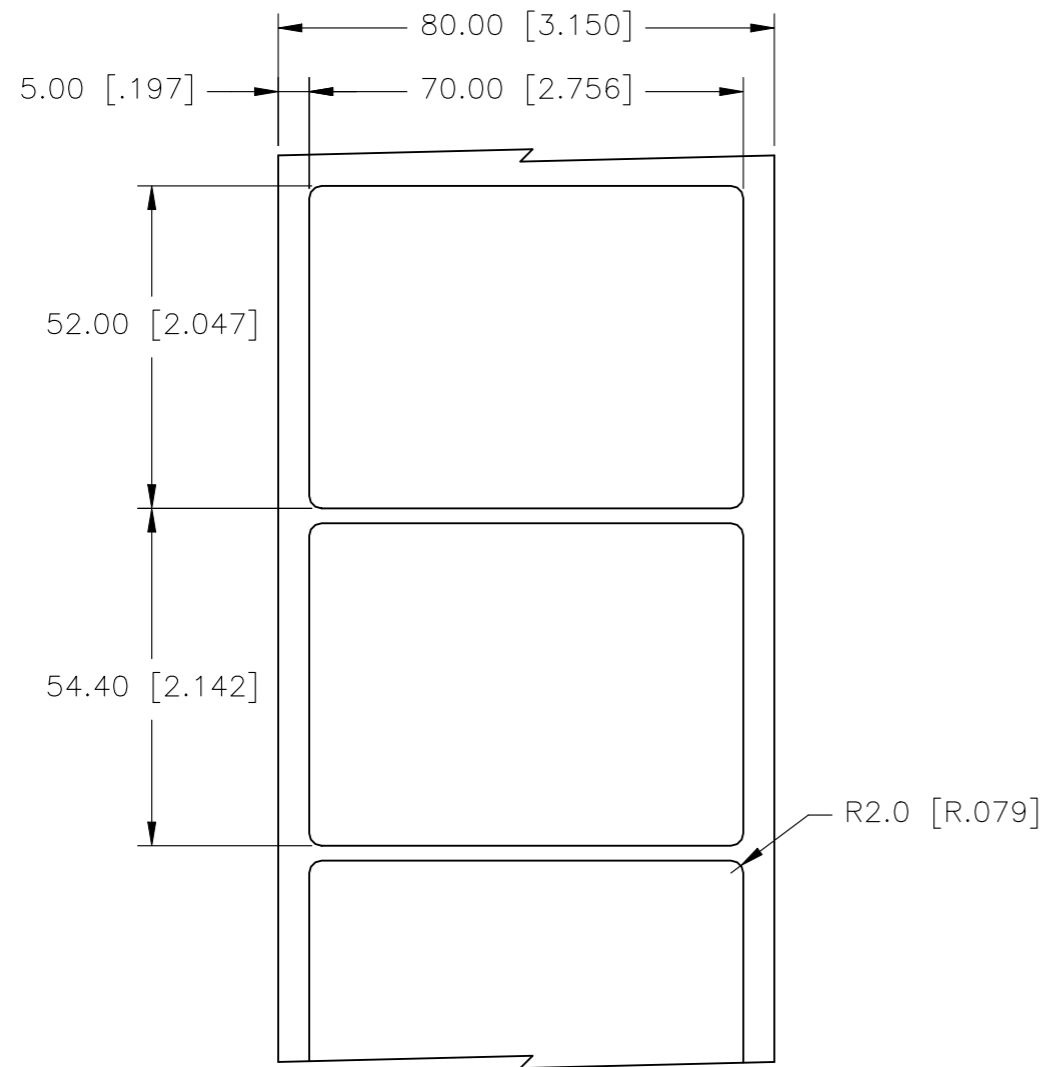
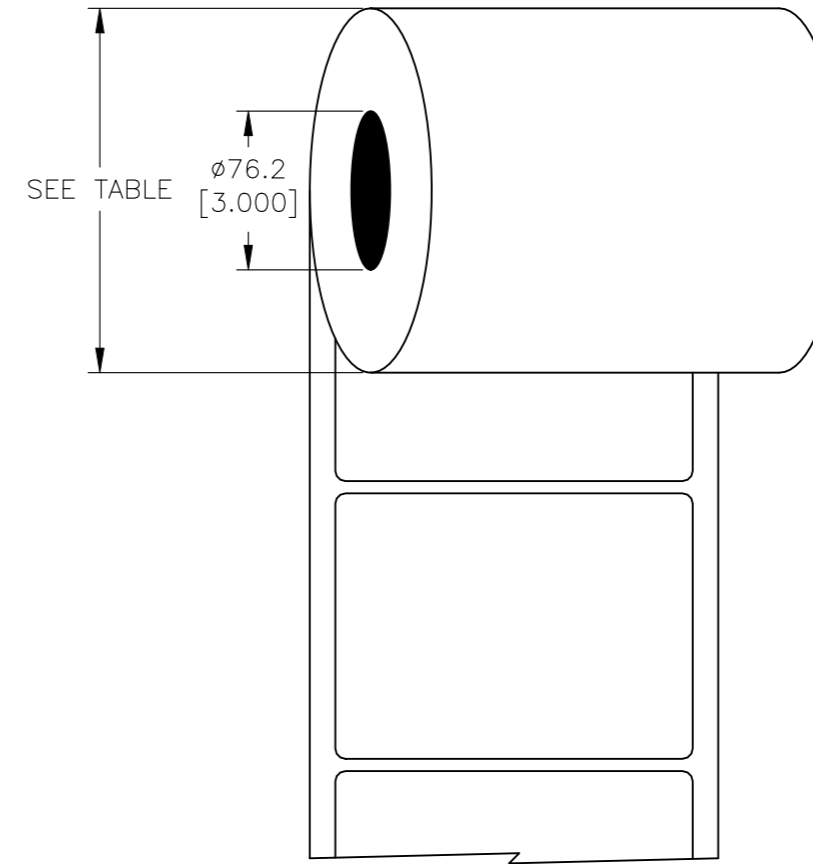


P	LTR	DESCRIPTION	DATE	DWN	APVD
	B	ECR-20-017666	29DEC2020	GK	MN

LABEL AND LINER DESIGN



PRESENTATION



DESCRIPTION	TEPN	MATERIAL DESCRIPTION	TTDS	WEIGHT (g)	ROLL DIAMETER (mm) ± 10	ROLL DIAMETER (Inch) ± 0.393
EET-5270P-4	2-1768019-8	YELLOW POLYESTER	TTDS-174	0.445	163.91	6.45
EET-5270P-8A	2-1768019-9	SILVER POLYESTER	TTDS-175	0.354	163.91	6.45
EET-5270P-9	3-1768019-0	WHITE POLYESTER	TTDS-177	0.342	157.88	6.22
EET-5270V-4-W	3-1768019-2	WARNING YELLOW FLEXIBLE PVC	TTDS-184	0.402	165.59	6.52

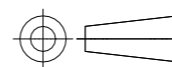
**INSIDE WOUND
LABEL ACROSS: 1
PER ROLL QTY: 2000**

ADHESIVE TYPE	PERMANENT
LINER	GLASSINE PAPER

TOLERANCES mm [INCH]	
LABEL HEIGHT:	±0.3 [.012]
LABEL WIDTH:	±0.3 [.012]
WEB WIDTH:	±0.8 [.031]
VERTICAL REPEAT:	±0.8 [.031]*
HORIZONTAL REPEAT:	±0.8 [.031]*
PRINT POSITIONING:	±0.8 [.031]*
LEFT MARGIN:	±0.4 [.016]
QUANTITY:	-0 % +2 %
*NON ACCUMULATING	

THIS DRAWING IS A CONTROLLED DOCUMENT.

DIMENSIONS:
mm [INCHES]



TOLERANCES UNLESS OTHERWISE SPECIFIED:
0 PLC ± -
1 PLC ± -
2 PLC ± -
3 PLC ± -
4 PLC ± -
ANGLES ± -
FINISH -

MATERIAL
SEE TABLE

DWN	29DEC2020
CHK	GOPALAKRISHNA HV
APVD	29DEC2020
NAME	MIKE NUTTALL
PRODUCT SPEC	SEE TABLE
APPLICATION SPEC	SEE TABLE
WEIGHT	SEE TABLE
CUSTOMER DRAWING	

TE Connectivity		EET LABELS 52.00mm x 70.00mm	
SIZE	CAGE CODE	DRAWING NO	RESTRICTED TO
A3	C2290	G-EET-5270	-
SCALE NTS		SHEET 1 OF 1	REV B