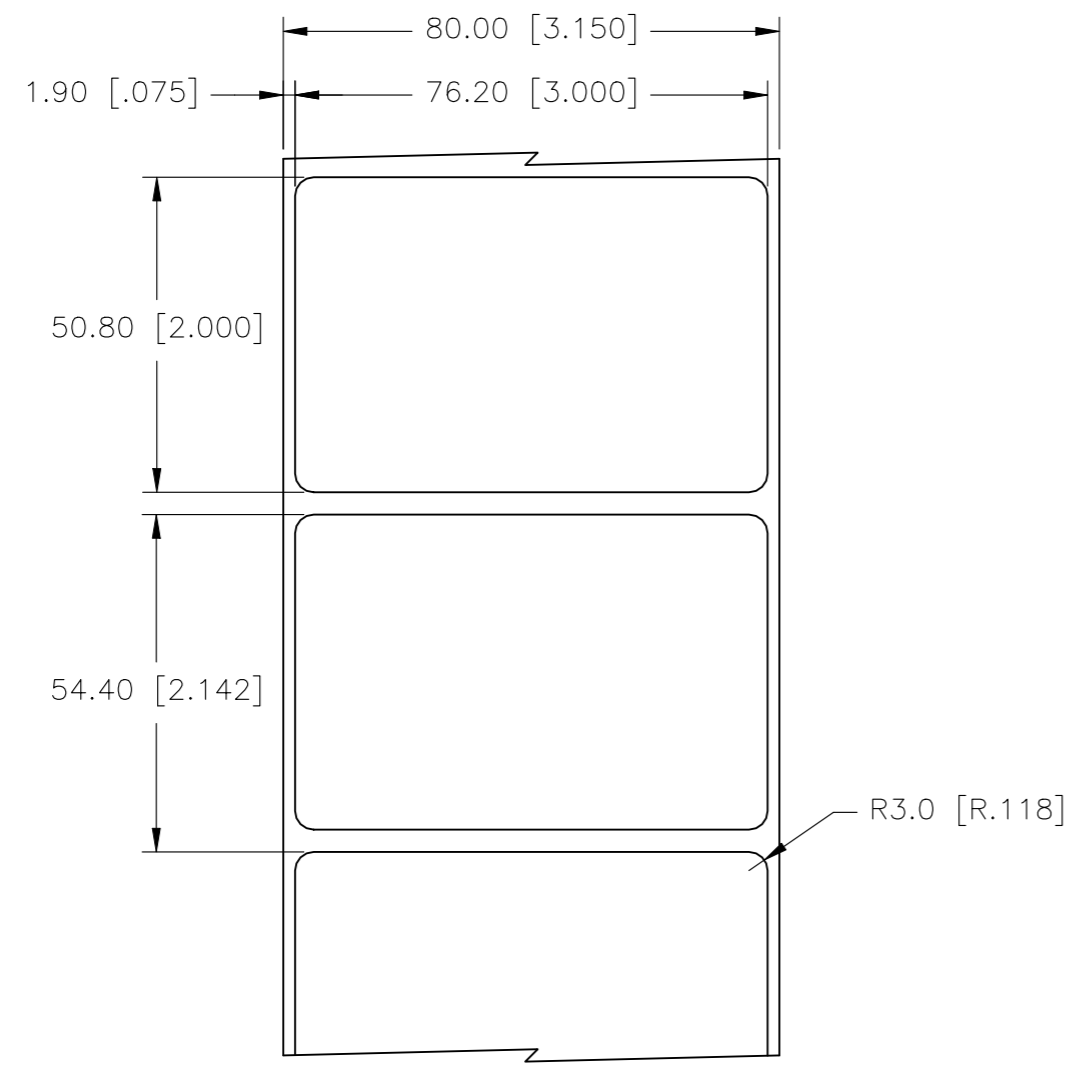
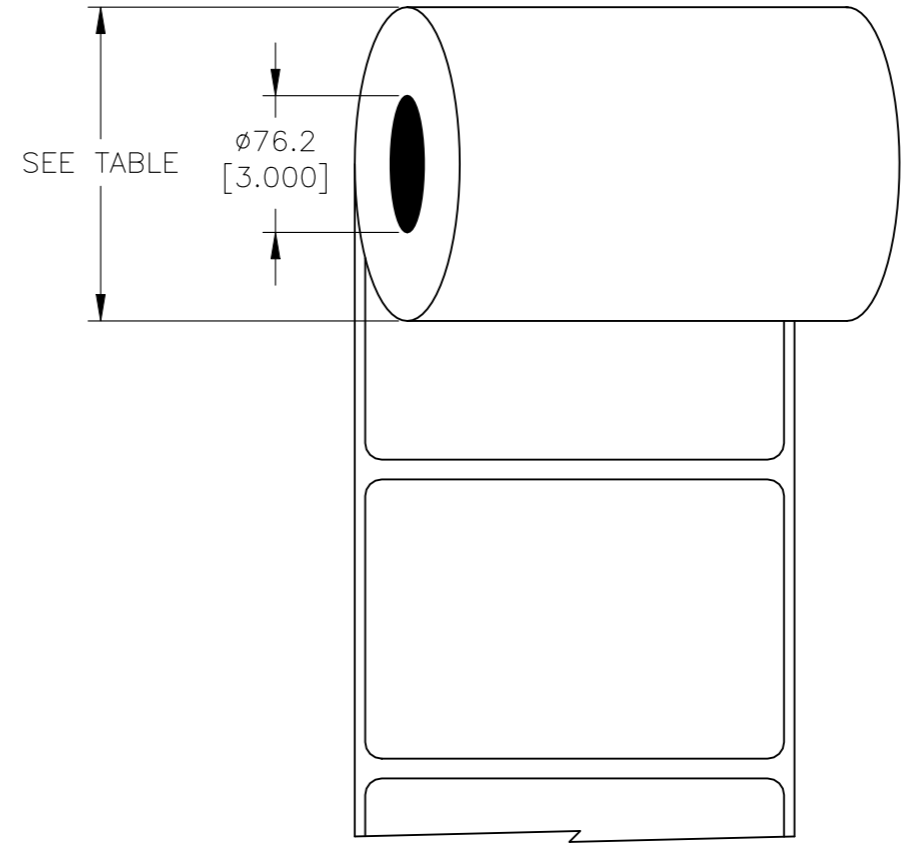


REVISIONS					
P	LTR	DESCRIPTION	DATE	DWN	APVD
	B	ECR-20-017666	29DEC2020	GK	MN

### LABEL AND LINER DESIGN



### PRESENTATION



DESCRIPTION	TEPN	MATERIAL DESCRIPTION	TTDS	WEIGHT (g)	ROLL DIAMETER (mm) ± 10	ROLL DIAMETER (Inch) ± 0.393
EET-5176P-8A	1-1768019-8	SILVER POLYESTER	TTDS-175	0.376	191.76	7.55
EET-5176P-9	1-1768019-9	WHITE POLYESTER	TTDS-177	0.363	184.01	7.24
EET-5176V-4-W	2-1768019-1	WARNING YELLOW FLEXIBLE PVC	TTDS-184	0.428	193.91	7.63
EET-5176V-9	2-1768019-2	WHITE FLEXIBLE PVC	TTDS-207	0.524	196.57	7.74

**INSIDE WOUND LABEL ACROSS: 1 PER ROLL QTY: 3000**

ADHESIVE TYPE	PERMANENT
LINER	GLASSINE PAPER

TOLERANCES mm [INCH]	
LABEL HEIGHT:	±0.3 [.012]
LABEL WIDTH:	±0.3 [.012]
WEB WIDTH:	±0.8 [.031]
VERTICAL REPEAT:	±0.8 [.031]*
HORIZONTAL REPEAT:	±0.8 [.031]*
PRINT POSITIONING:	±0.8 [.031]*
LEFT MARGIN:	±0.4 [.016]
QUANTITY:	-0 % +2 %
*NON ACCUMULATING	

THIS DRAWING IS A CONTROLLED DOCUMENT.

DIMENSIONS: mm [INCHES]	TOLERANCES UNLESS OTHERWISE SPECIFIED:
	0 PLC ± -
	1 PLC ± -
	2 PLC ± -
	3 PLC ± -
	4 PLC ± -
MATERIAL: SEE TABLE	FINISH: -

DWN	29DEC2020
CHK	GOPALAKRISHNA HV
APVD	MIKE NUTTALL
APVD	MIKE NUTTALL
PRODUCT SPEC	SEE TABLE
APPLICATION SPEC	SEE TABLE
WEIGHT	SEE TABLE
CUSTOMER DRAWING	

**STE** TE Connectivity

NAME: EET LABELS 50.80mm x 76.20mm

SIZE	CAGE CODE	DRAWING NO	RESTRICTED TO
A3	C2290	G-EET-5176	-

SCALE: NTS SHEET: 1 OF 1 REV: B