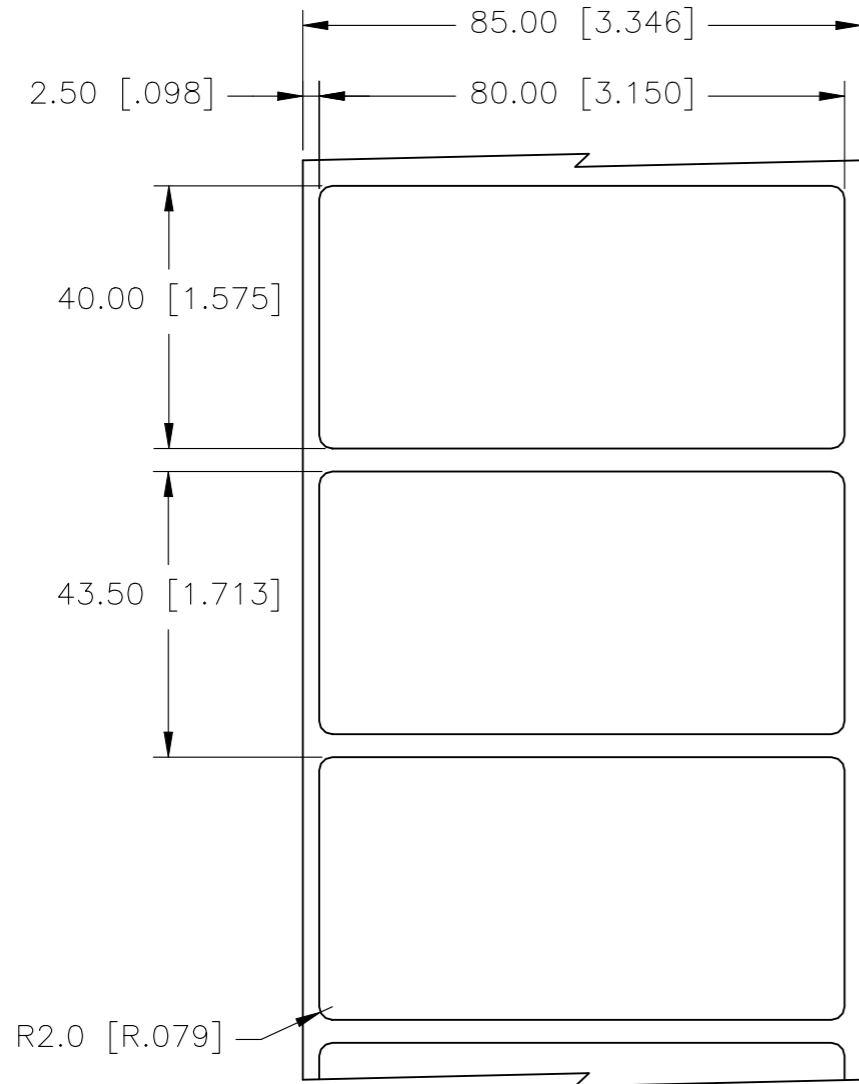
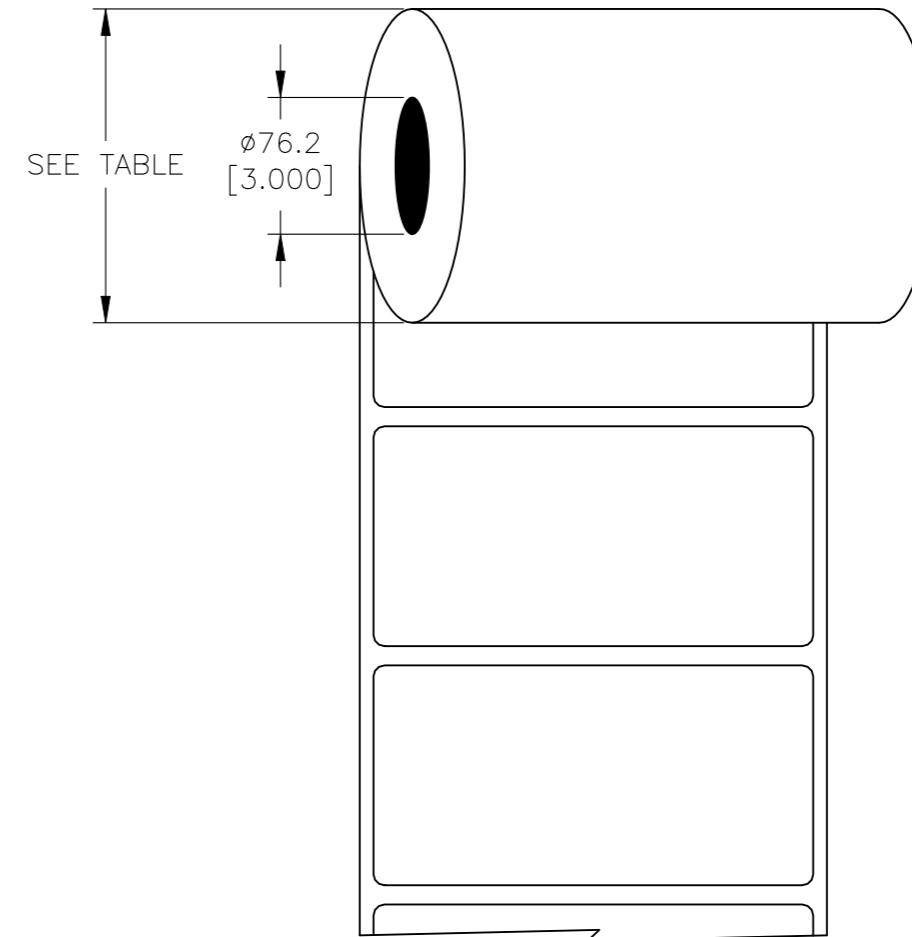


P	LTR	DESCRIPTION	DATE	DWN	APVD
	B	ECR-20-017666	29DEC2020	GK	MN

**LABEL AND LINER DESIGN**



**PRESENTATION**



DESCRIPTION	TEPN	MATERIAL DESCRIPTION	TTDS	WEIGHT (g)	ROLL DIAMETER (mm) ± 10	ROLL DIAMETER (Inch) ± 0.393
EET-4080P-4	1768019-6	YELLOW POLYESTER	TTDS-174	0.391	175.55	6.91
EET-4080P-8A	1768019-7	SILVER POLYESTER	TTDS-175	0.311	175.55	6.91
EET-4080P-9	1768019-8	WHITE POLYESTER	TTDS-177	0.300	168.85	6.65
EET-4080PY-9	1768019-9	WHITE POLYETHYLENE	TTDS-178	0.354	190.09	7.48
EET-4080V-4-W	1-1768019-0	WARNING YELLOW FLEXIBLE PVC	TTDS-184	0.354	177.43	6.98

**INSIDE WOUND LABEL ACROSS: 1 PER ROLL QTY: 3000**

ADHESIVE TYPE	PERMANENT
LINER	GLASSINE PAPER

TOLERANCES mm [INCH]	
LABEL HEIGHT:	±0.3 [.012]
LABEL WIDTH:	±0.3 [.012]
WEB WIDTH:	±0.8 [.031]
VERTICAL REPEAT:	±0.8 [.031]*
HORIZONTAL REPEAT:	±0.8 [.031]*
PRINT POSITIONING:	±0.8 [.031]*
LEFT MARGIN:	±0.4 [.016]
QUANTITY:	-0 % +2 %
*NON ACCUMULATING	

THIS DRAWING IS A CONTROLLED DOCUMENT.

DIMENSIONS: mm [INCHES]	TOLERANCES UNLESS OTHERWISE SPECIFIED:
	0 PLC ± -
	1 PLC ± -
	2 PLC ± -
	3 PLC ± -
	4 PLC ± -
MATERIAL	FINISH ± -
SEE TABLE	-

DWN	29DEC2020
CHK	GOPALAKRISHNA HV
APVD	29DEC2020
APVD	MIKE NUTTALL
APVD	MIKE NUTTALL
PRODUCT SPEC	SEE TABLE
APPLICATION SPEC	SEE TABLE
WEIGHT	SEE TABLE
CUSTOMER DRAWING	

TE Connectivity	
NAME	
EET LABELS 40.00mm x 80.00mm	
SIZE	CAGE CODE
A3	C2290
DRAWING NO	RESTRICTED TO
G-EET-4080	-
SCALE	SHEET
NTS	1 OF 1
REV	B