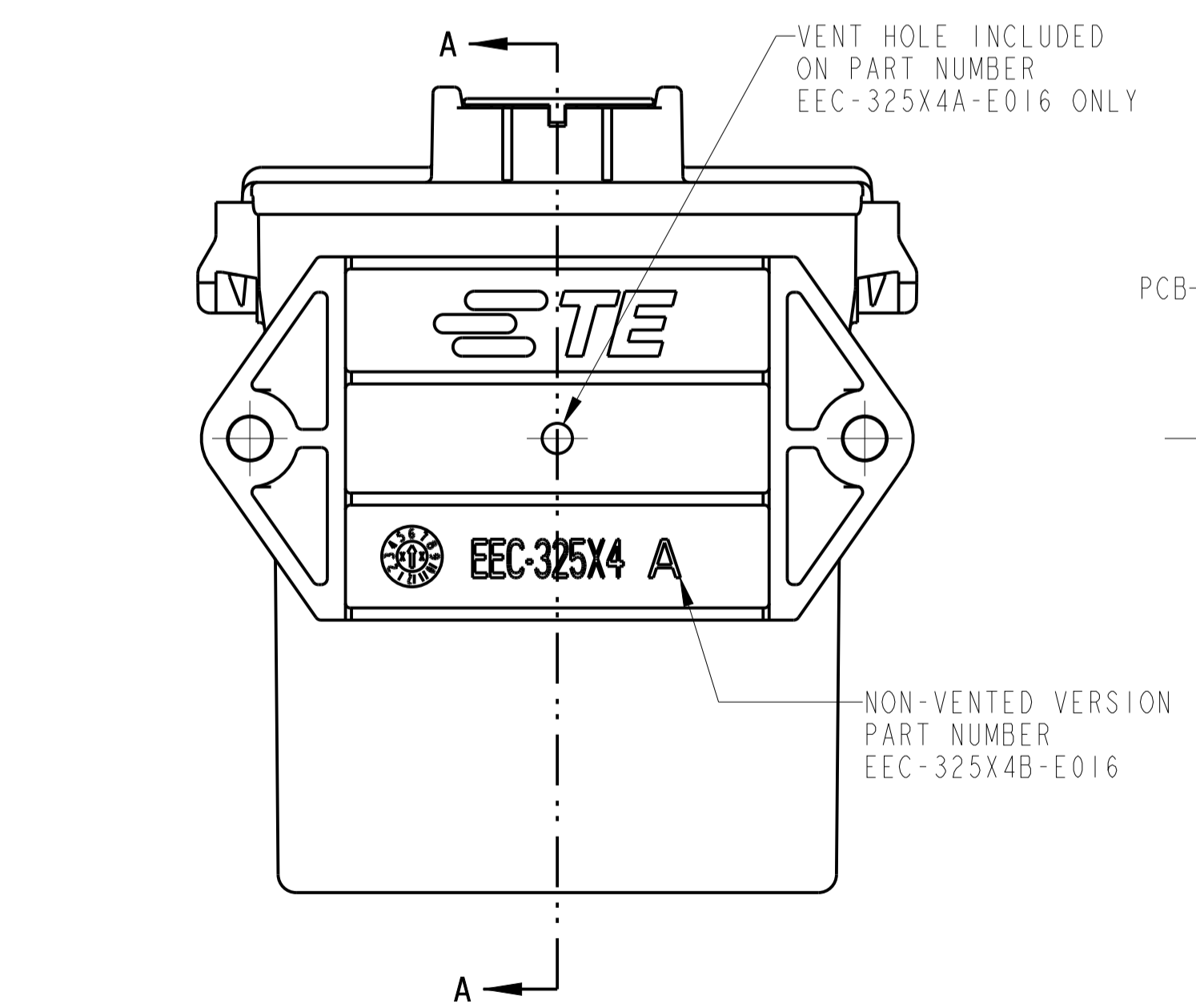
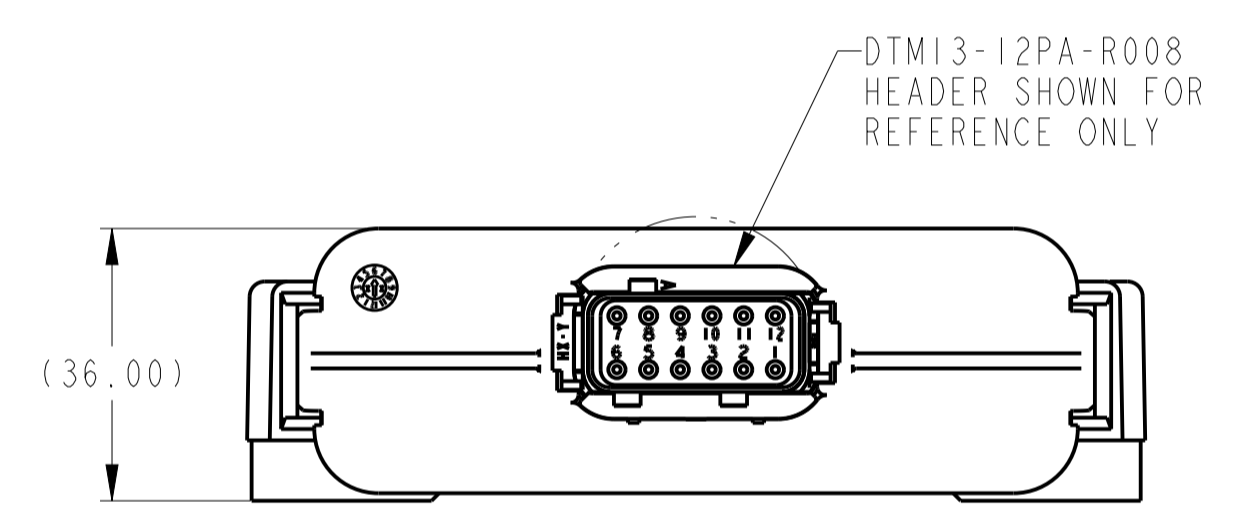
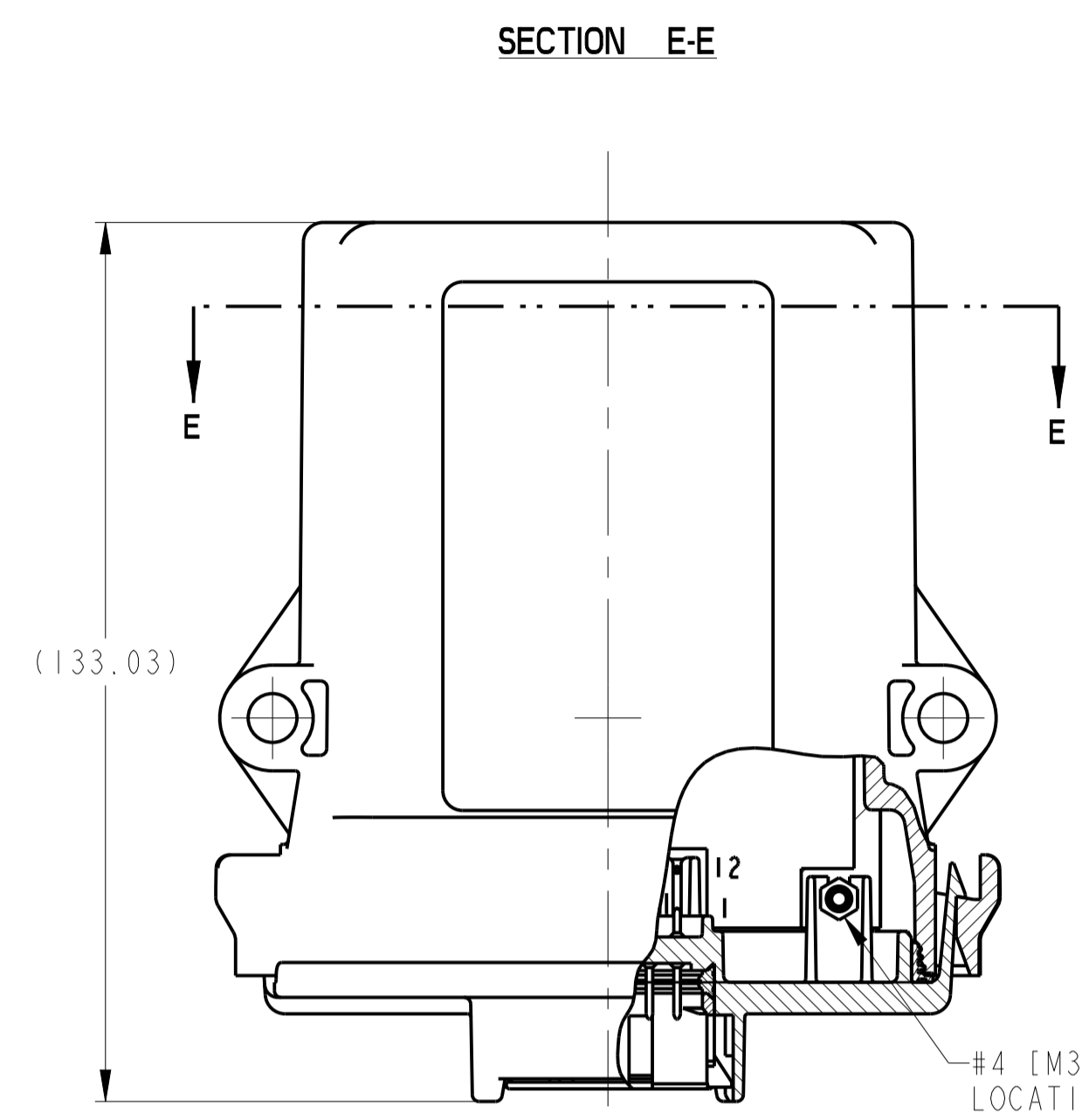
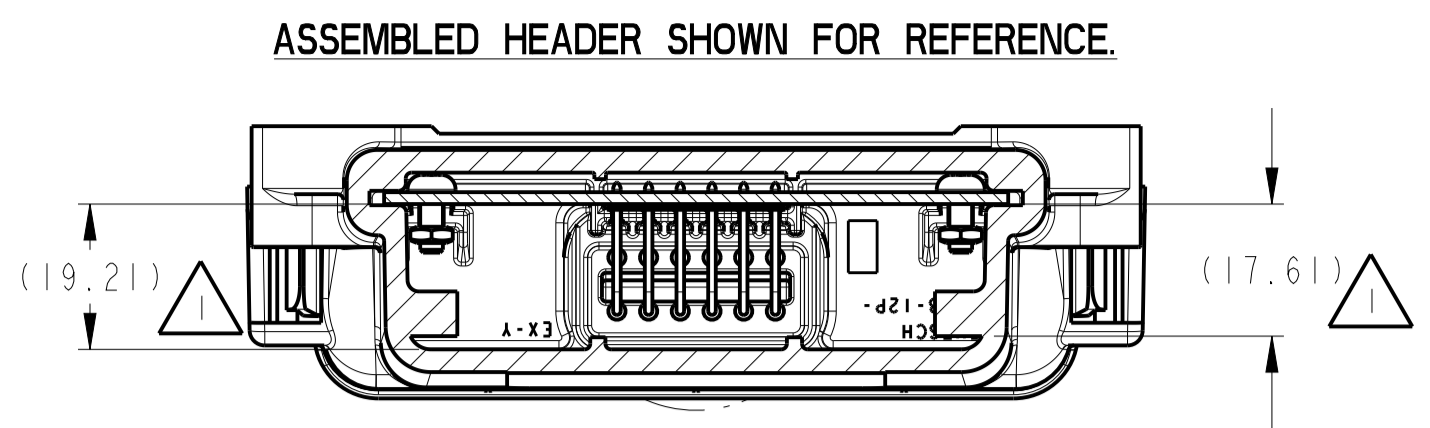
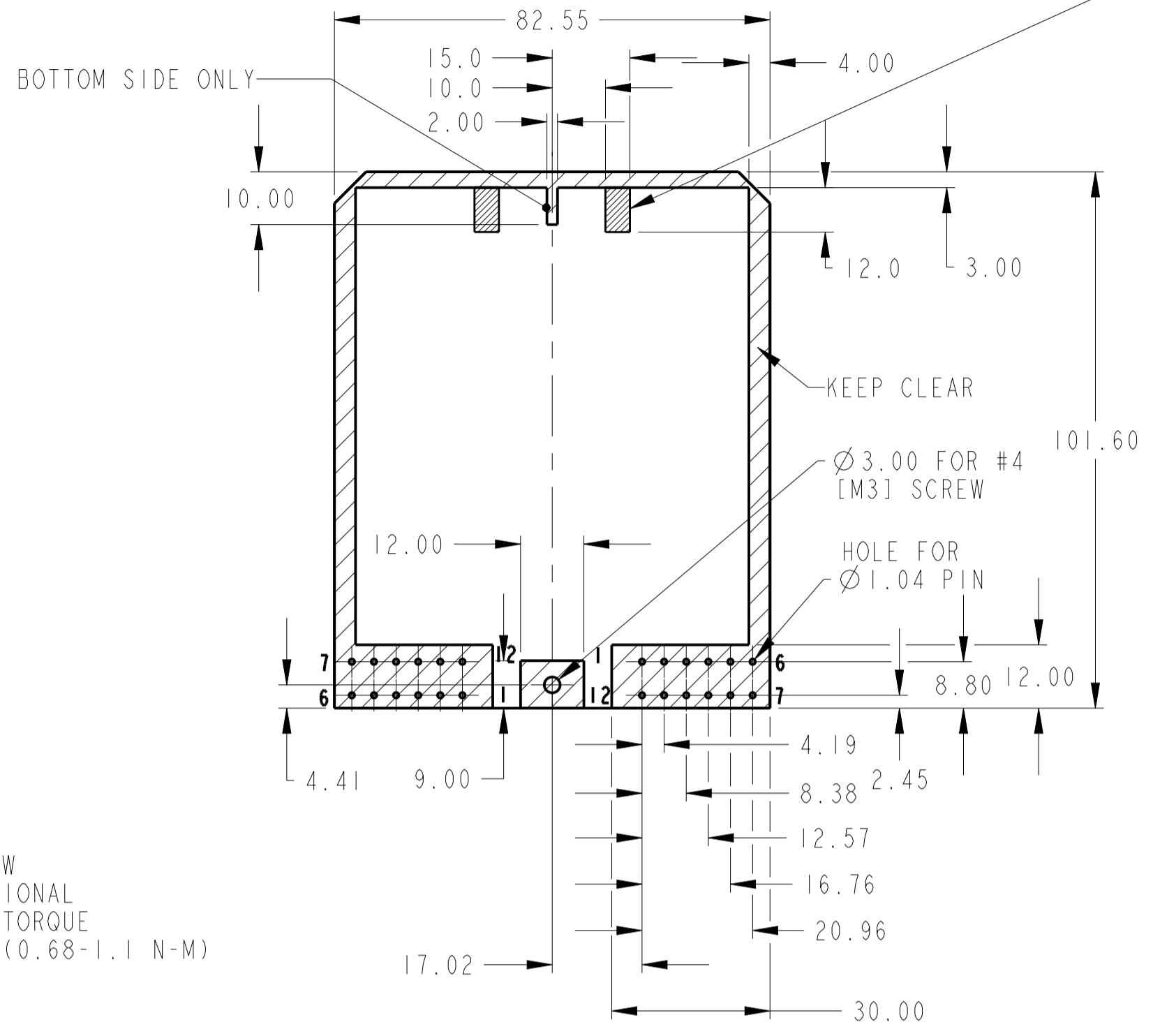


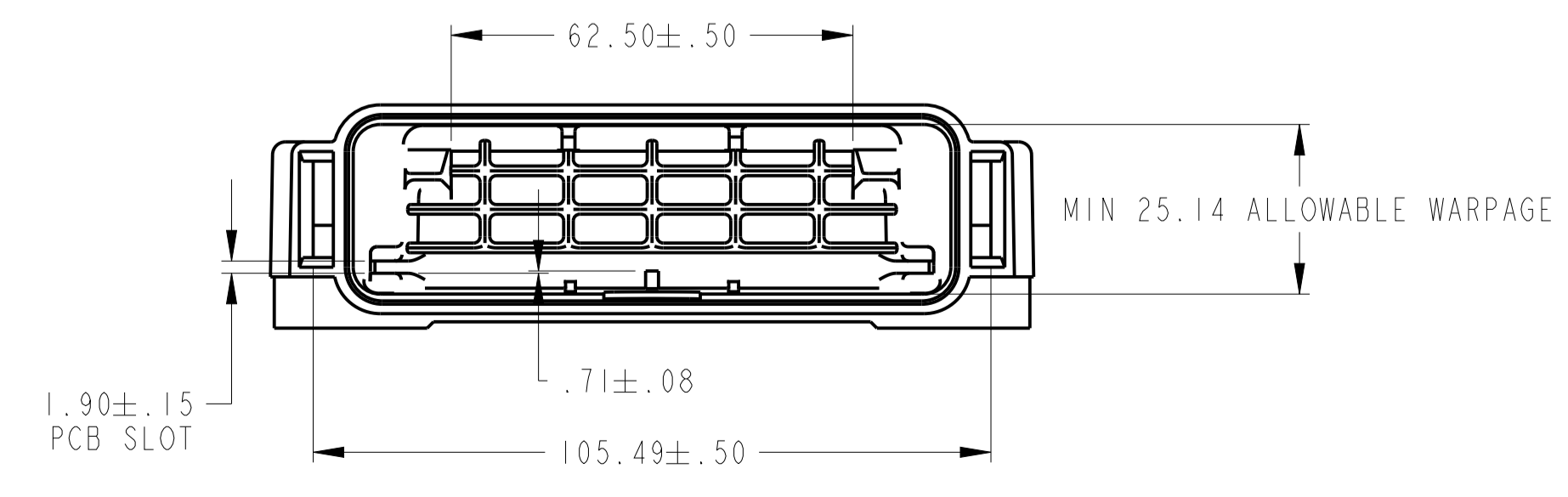
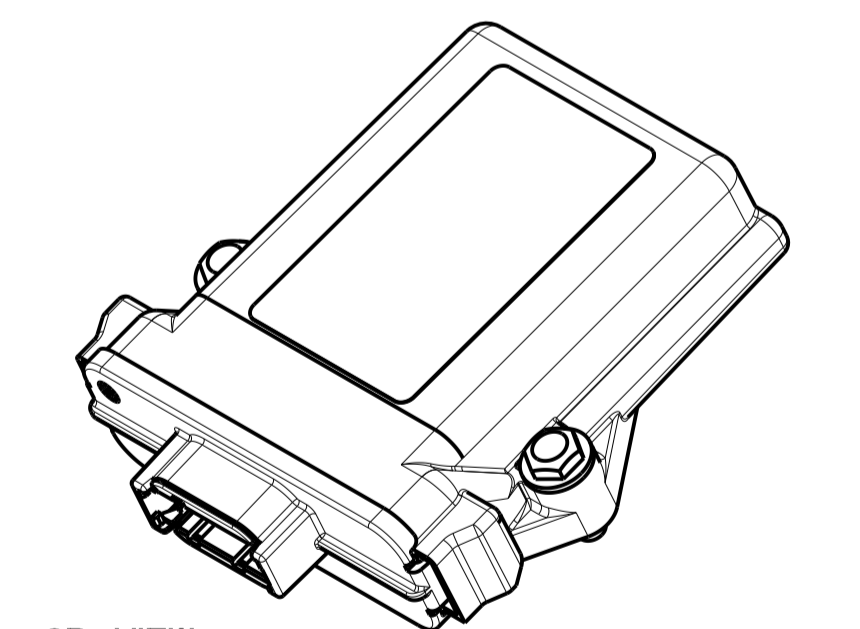
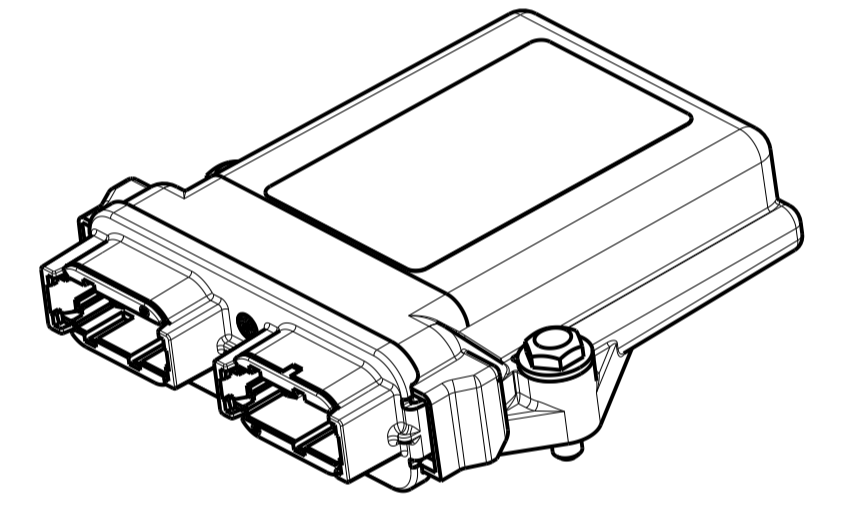
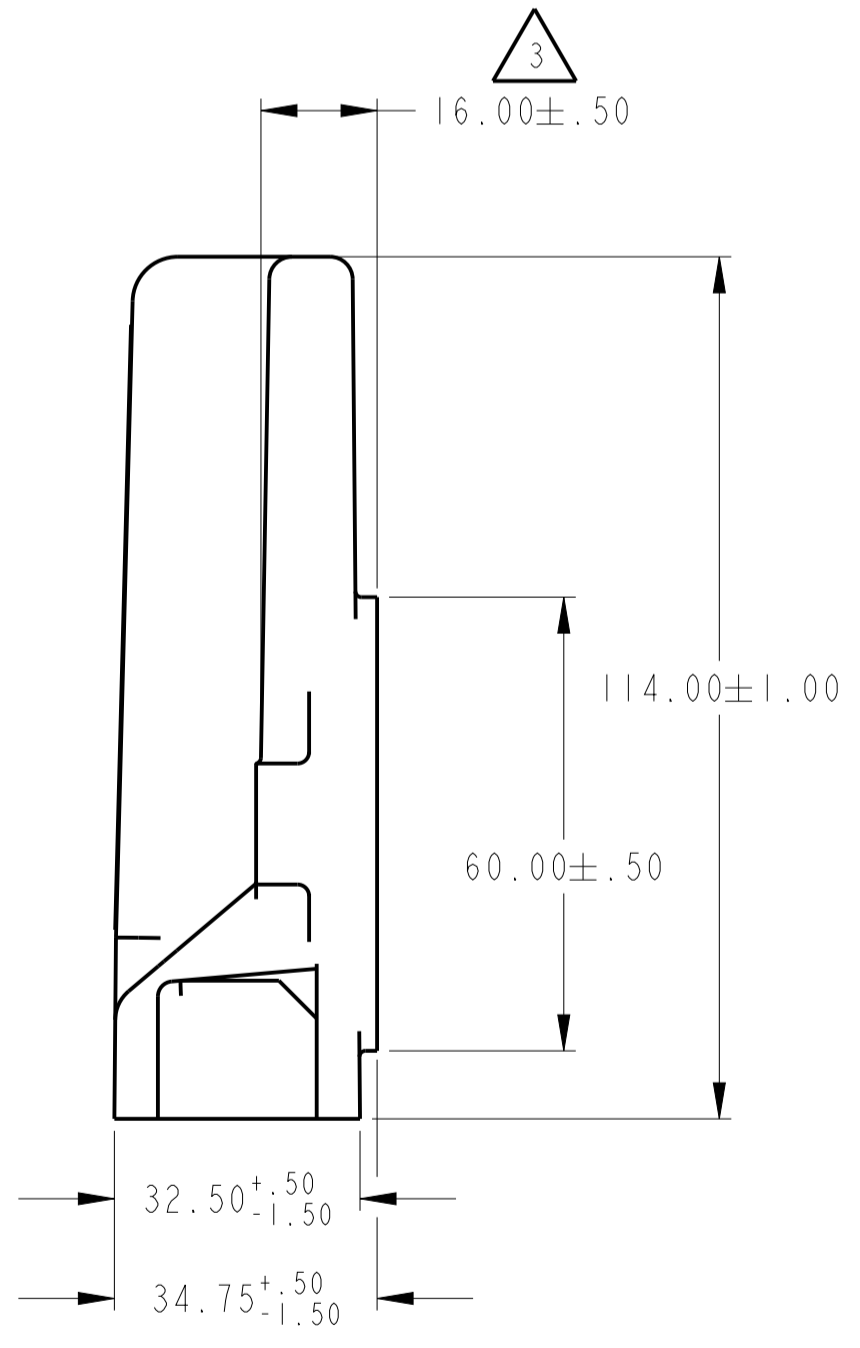
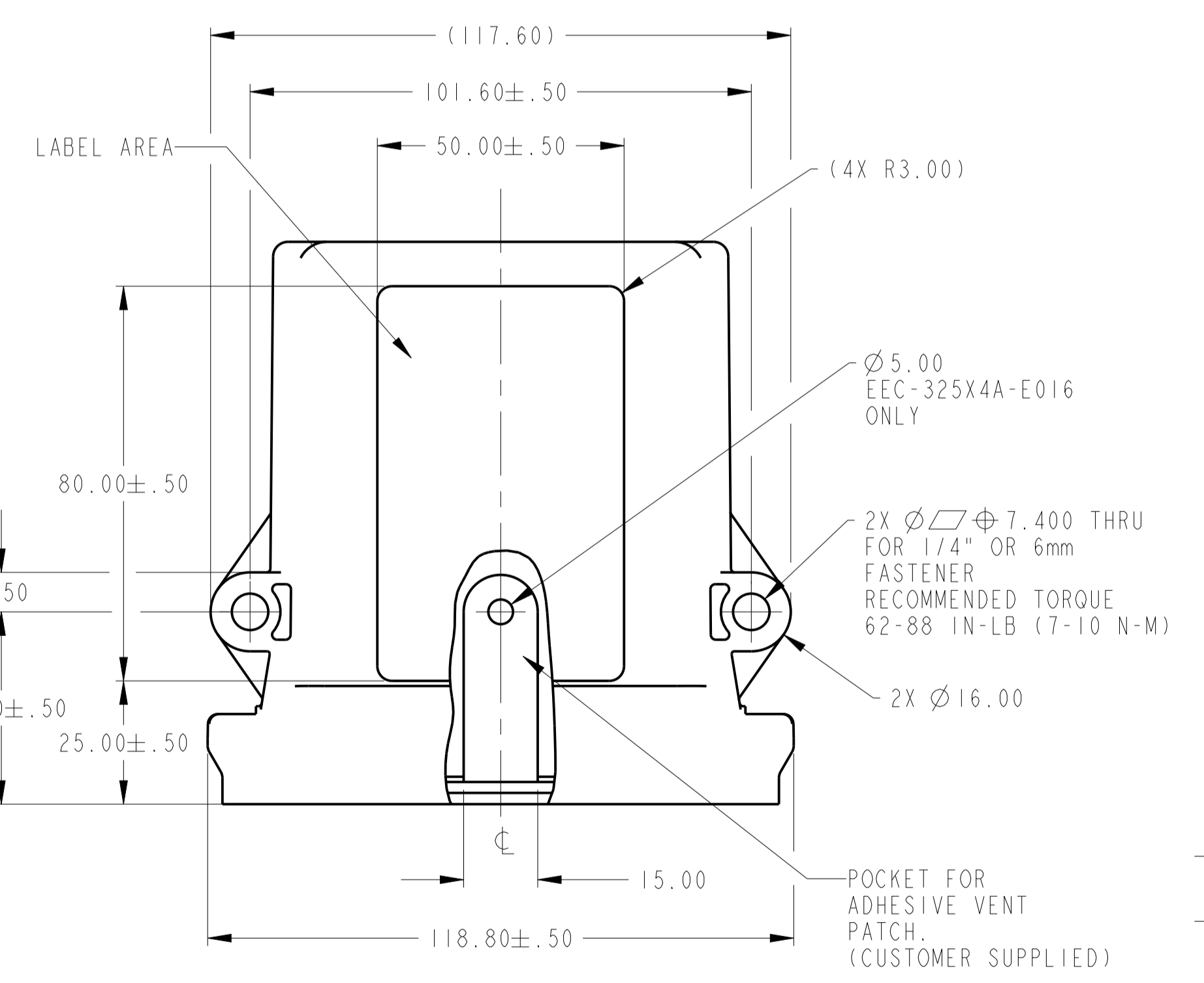
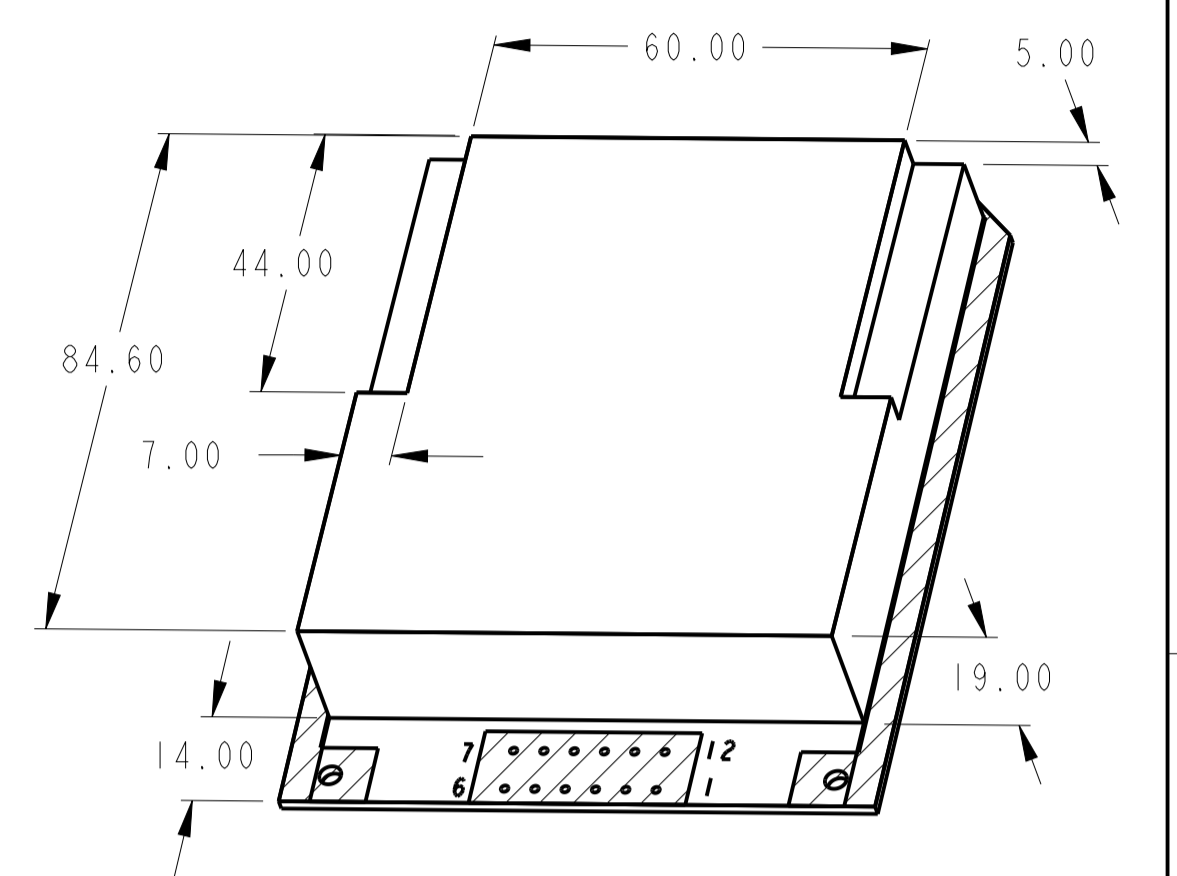
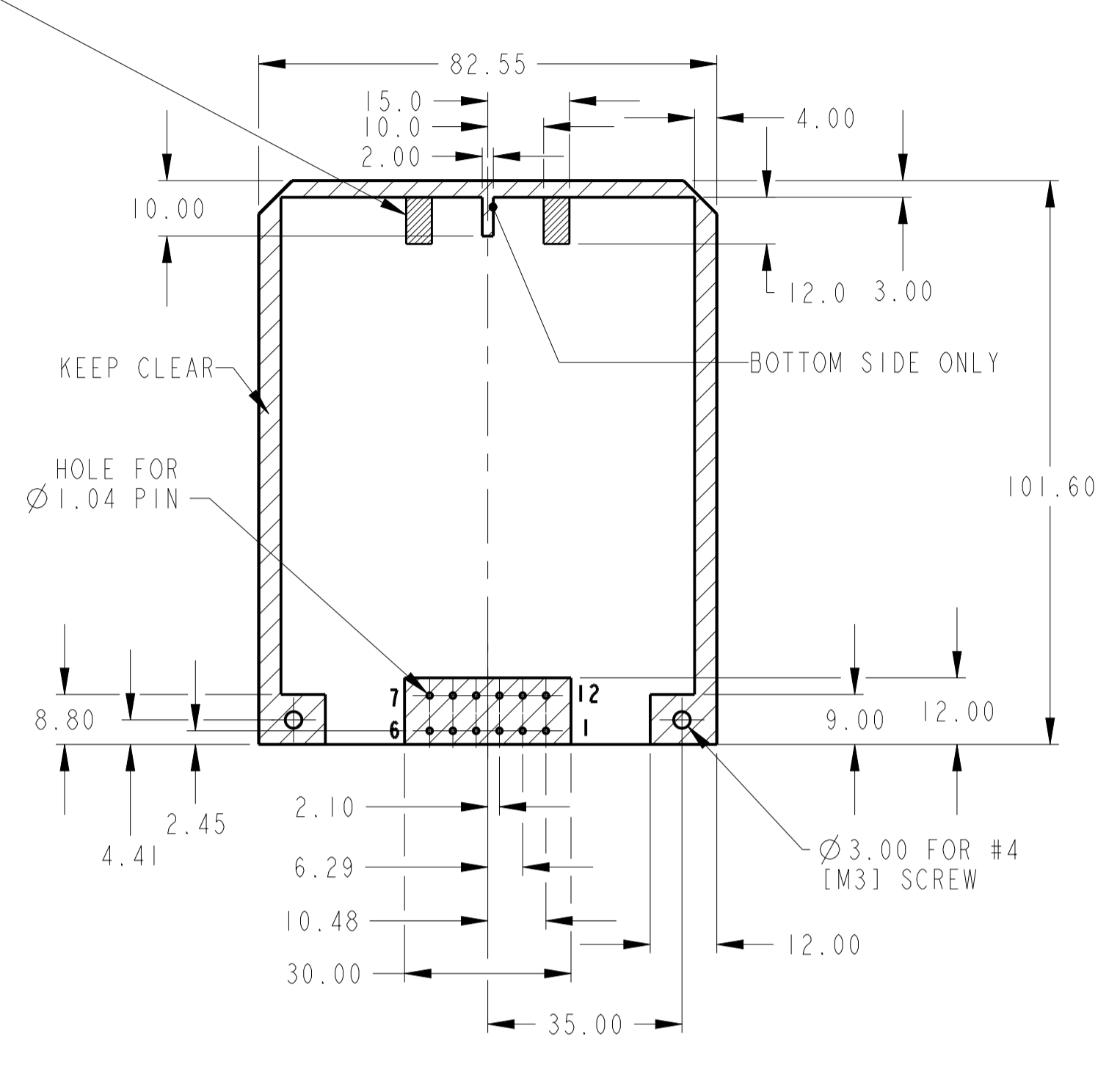
REVISIONS				
P	LTA	DESCRIPTION	DATE	APPROVED
B		REVISED PER PCN E-20-012817	07OCT2020	SM 1G
B1		REVISED PER PCN E-20-018116	23DEC2020	MK 1G
C		REVISED PER PCN E-21-003960	05APR2021	DM CB



CIRCUIT BOARD HOLE LOCATIONS
AND KEEP CLEAR AREAS FOR
DTM13-12PX-12PX-R008
DTM13-12PX-12PX-GR01
ALL DIMENSIONS REFERENCE
TOP VIEW



CIRCUIT BOARD HOLE LOCATIONS
AND KEEP CLEAR AREAS FOR
DTM13-12PX-R008
DTM13-12PX-GR01
ALL DIMENSIONS REFERENCE
TOP VIEW



- 3 MEASUREMENT SHOULD BE TAKEN FROM THE BOTTOM.
2. THIS ENCLOSURE MATES WITH DTM13-12PX-R008 (Ni PINS); DTM13-12PX-GR01 (Au PINS); DTM13-12PX-12PX-R008 (Ni PINS); DTM13-12PX-12PX-GR01 (Au PINS) HEADERS. (X = A,B,C,D KEYS).
- 1 MAXIMUM COMPONENT HEIGHT DEPENDS ON LOCATION DUE TO PART DRAFT AND RIBS.

TE INTERNAL PN	DEUTSCH PN	KEY
EEC-325X4A-E016	EEC-325X4A-E016	VENT HOLE
EEC-325X4B-E016	EEC-325X4B-E016	NO VENT HOLE

THIS DRAWING IS A CONTROLLED DOCUMENT.		DWN: J. APOSTOL 24AUG2006	TE Connectivity	
DIMENSIONS: mm		CHK: B. BYFORD 29MAY2012	PCB ENCLOSURE SHOWN WITH 12 AND 24 PIN HEADER VENTED AND NON VENTED DTM SERIES	
TOLERANCES UNLESS OTHERWISE SPECIFIED:		APVD: S. BEARD 23MAY2012	RESTRICTED TO	
0 PLC	±	PRODUCT SPEC	SIZE	EEC-325X4A-E016
1 PLC	±	APPLICATION SPEC	WEIGHT	EEC-325X4B-E016
2 PLC	±0.25		CUSTOMER DRAWING	SCALE 1:1 SHEET 1 OF 1 REV C
3 PLC	±			
4 PLC	±			
ANGLES	±			
MATERIAL: NATURAL ULTEM				