

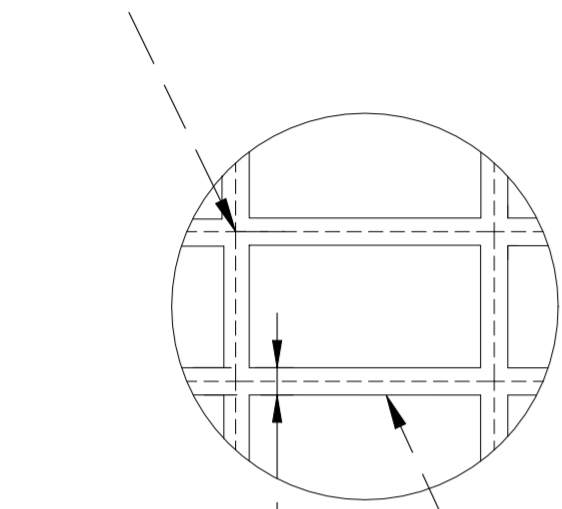
REVISIONS					
P	LTR	DESCRIPTION	DATE	DWN	APVD
A		INITIAL RELEASE	07SEP2021	MN	AK

210.0 [8.268"]

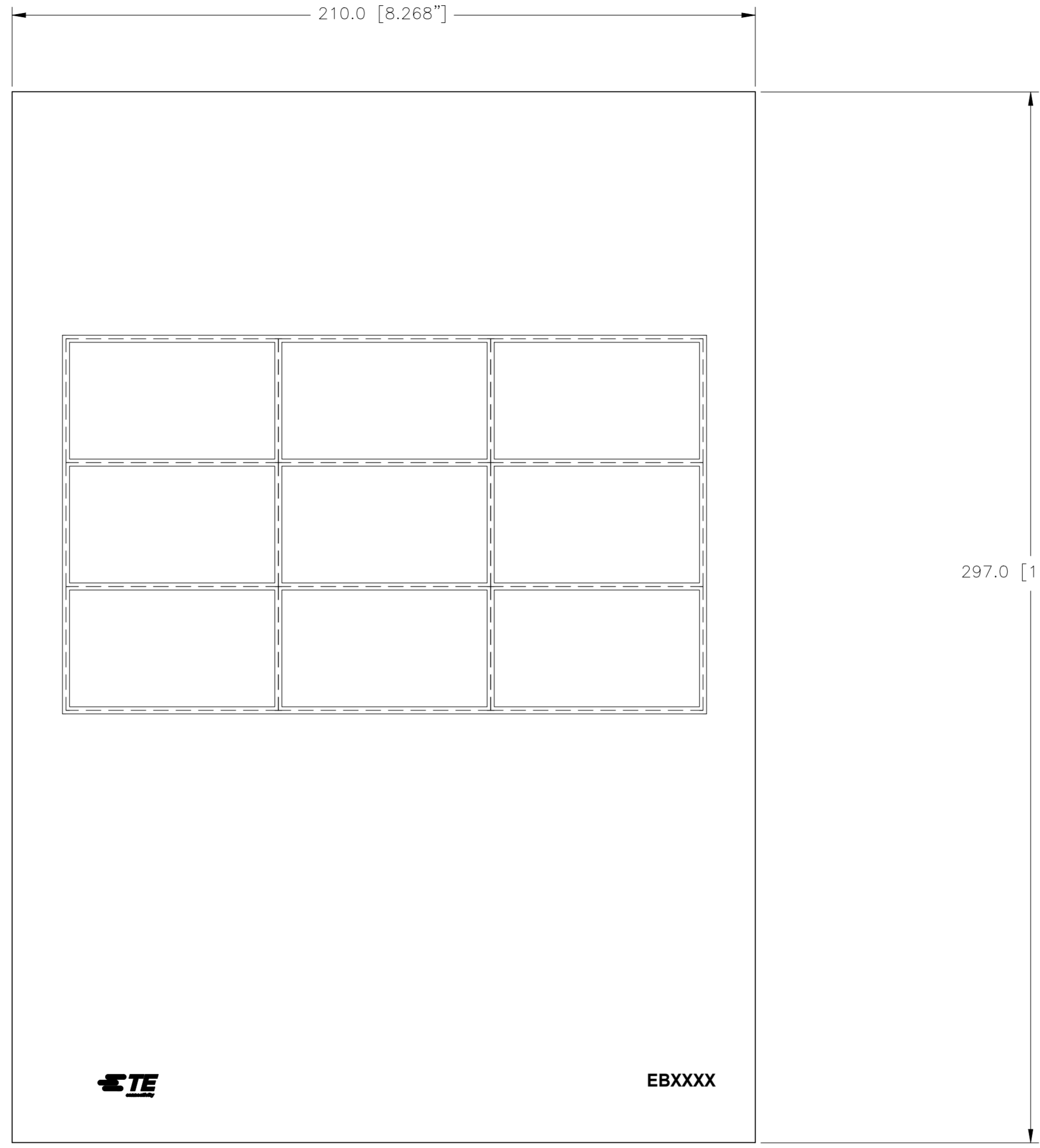
297.0 [11.693"]

EB3560 & EB5070 BORDER DETAIL

LABEL CUT TO DOTTED LINE



SCREEN PRINT 2mm LINE
(1mm EITHER SIDE OF LABEL EDGE)



EBXXXX

DESCRIPTION	PART NUMBER	LABELS PER SHEET	LABEL HEIGHT		LABEL WIDTH		BLACK BORDER	WEIGHT (g)
			mm	Inch	mm	Inch		
EB517	1768017-5	495	5	0.197	17	0.669	No	0.04
EB615	1768017-6	444	6	0.236	15	0.591	No	0.04
EB820	1768017-8	280	8	0.315	20	0.787	No	0.06
EB3560	1768017-3	9	35	1.378	60	2.362	Yes	1.14
EB5070	1768017-4	9	50	1.969	70	2.756	Yes	1.78

All dimensions in mm [INCHES]

TOLERANCES mm [INCHES] LABEL HEIGHT: ±0.3 [0.012] LABEL WIDTH: ±0.3 [0.012] WEB WIDTH: ±0.8 [0.031] VERTICAL REPEAT: ±0.8 [0.031] HORIZONTAL REPEAT: ±0.8 [0.031] PRINT POSITIONING: ±0.8 [0.031] LEFT MARGIN: ±0.4 [0.016] QUANTITY: -0 % +2 % *NON ACCUMULATING		THIS DRAWING IS A CONTROLLED DOCUMENT. DIMENSIONS: mm [INCHES]		TOLERANCES UNLESS OTHERWISE SPECIFIED: 0 PLC ± 1 PLC ± 2 PLC ± 3 PLC ± 4 PLC ± ANGLES ± FINISH -		DWN M. NUTTALL 07SEP2021 CHK M. NUTTALL 07SEP2021 APVD A. KEAN 07SEP2021 PRODUCT SPEC TTDS-181 APPLICATION SPEC -		TE Connectivity NAME EB - HAND WRITABLE VINYL FABRIC LABELS - -		SIZE A2 CAGE CODE C2290 DRAWING NO C-EB-TABULATED-CD RESTRICTED TO - WEIGHT SEE TABLE SCALE NTS SHEET 1 OF 1 REV A	
MATERIAL YELLOW FABRIC PVC		FINISH -		CUSTOMER DRAWING							

EB TABULATED CD