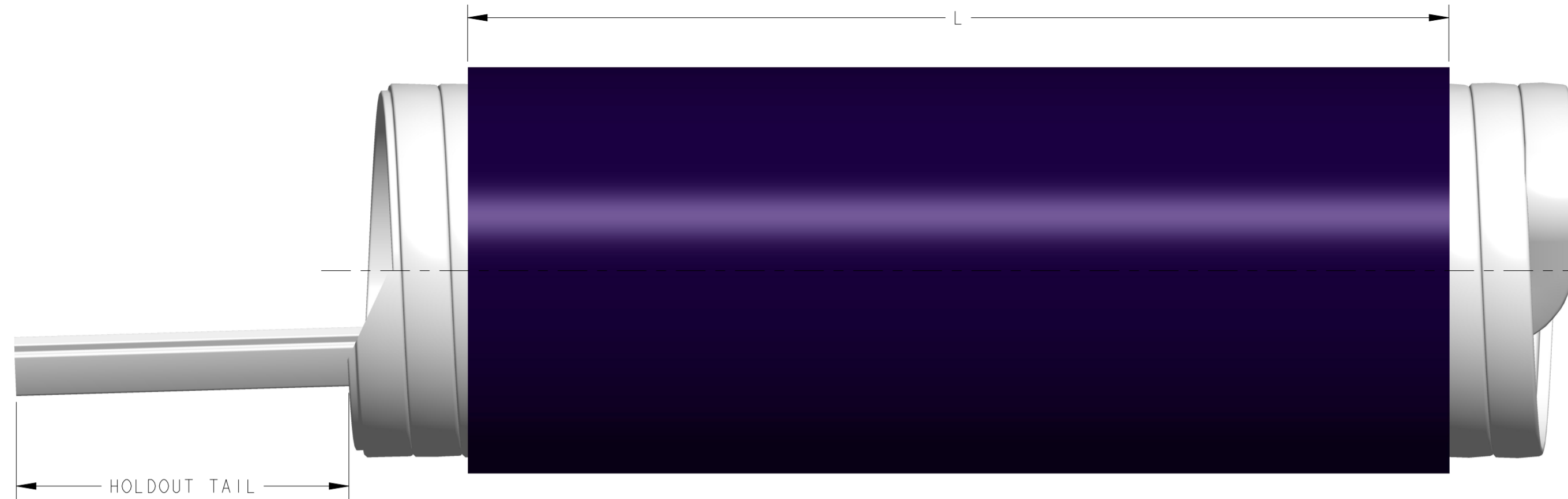


P	LTR	DESCRIPTION	DATE	DWN	APVD
A		INITIAL RELEASE	11MAR2024	MS	GY



PRODUCT DIMENSIONS


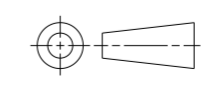
DESCRIPTION	TYPICAL EXPANDED TUBE LENGTH [L]	TYPICAL RELAXED TUBE LENGTH	INNER DIAMETER OF HOLDOUT
ELB-600-CES-1	5.00 (127)	6.00 (150)	1.97 (50)
ELB-600-CES-2	6.75 (171)	8.00 (200)	2.68 (68)
ELB-600-CES-3	7.50 (190)	9.00 (225)	3.85 (98)

PRODUCT SELECTION INFORMATION

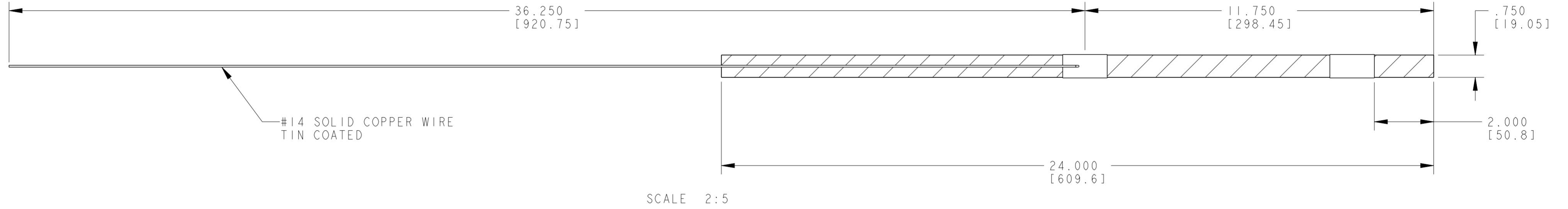
DESCRIPTION	CABLE SIZE			CABLE OUTER DIAMETER	
	15kV CLASS	25kV CLASS	35kV CLASS	MINIMUM	MAXIMUM
ELB-600-CES-1	2-4/0 AWG (35-100 mm ²)	2-2/0 AWG (35-50 mm ²)	1/0 AWG (60 mm ²)	0.85 (21.5)	1.42 (36)
ELB-600-CES-2	2/0-1000 KCMIL (70-500 mm ²)	1/0 AWG-750 KCMIL (60-380 mm ²)	1/0 AWG-500 KCMIL (60-250 mm ²)	1.28 (32.5)	2.13 (54)
ELB-600-CES-3	750-1500 KCMIL (380-725 mm ²)	600-1500 KCMIL (325-725 mm ²)	350-1500 KCMIL (80-725 mm ²)	1.61 (41.0)	3.22 (82)

KITS WITH EXTERNAL GROUNDING COMPONENTS

CATALOG NO	CABLE SIZE			CABLE RANGE OUTER-DIAMETER	TAPE SHIELD DIAMETER
	15kV CLASS	25kV CLASS	35kV CLASS		
ELB-600-CES-GRD-1	#2-250 KCMIL	#2-4/0 AWG	1/0 AWG	0.85-1.42 (21.5-36)	0.67-1.18 (17-30)
ELB-600-CES-GRD-2	250-900 KCMIL	4/0-600 KCMIL	1/0-350 KCMIL	1.28-2.13 (32.5-54)	1.18-1.57 (30-40)
ELB-600-CES-GRD-3	900-1500 KCMIL	600-1500 KCMIL	350-1500 KCMIL	1.61-3.22 (41.0-82)	1.57-2.36 (40-60)

THIS DRAWING IS A CONTROLLED DOCUMENT.		DWN M. SARVESH 11MAR2024	 TE Connectivity	
DIMENSIONS: in (mm)		CHK W. DAVID E 12MAR2024		
 TOLERANCES UNLESS OTHERWISE SPECIFIED: 0 PLC ±.5 1 PLC ±.5 2 PLC ±0.13 3 PLC ±0.013 4 PLC ±0.001 ANGLES ±		APVD G. YASIN 12MAR2024	NAME ELB-600-CES-GRD	
MATERIAL -		FINISH -	PRODUCT SPEC -	APPLICATION SPEC -
		WEIGHT -	SIZE A200779	CAGE CODE C-E00002212
CUSTOMER DRAWING; RESTRICTED CUSTOMER			SCALE 1:1	SHEET 1 OF 3
			RESTRICTED TO -	REV A

P	LTR	DESCRIPTION	DATE	DWN	APVD
		SEE SHEET 1			



NOTE:

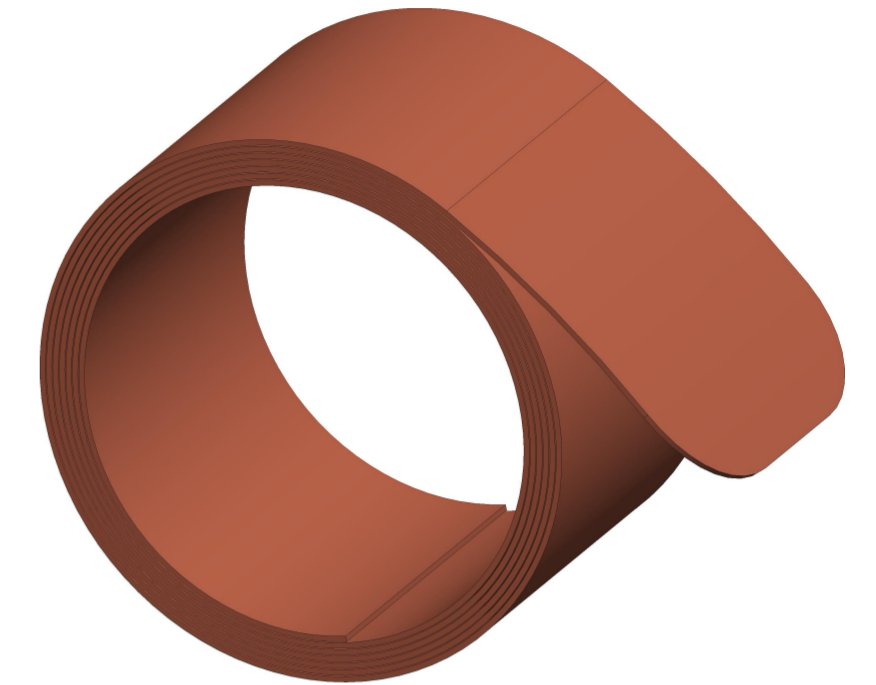
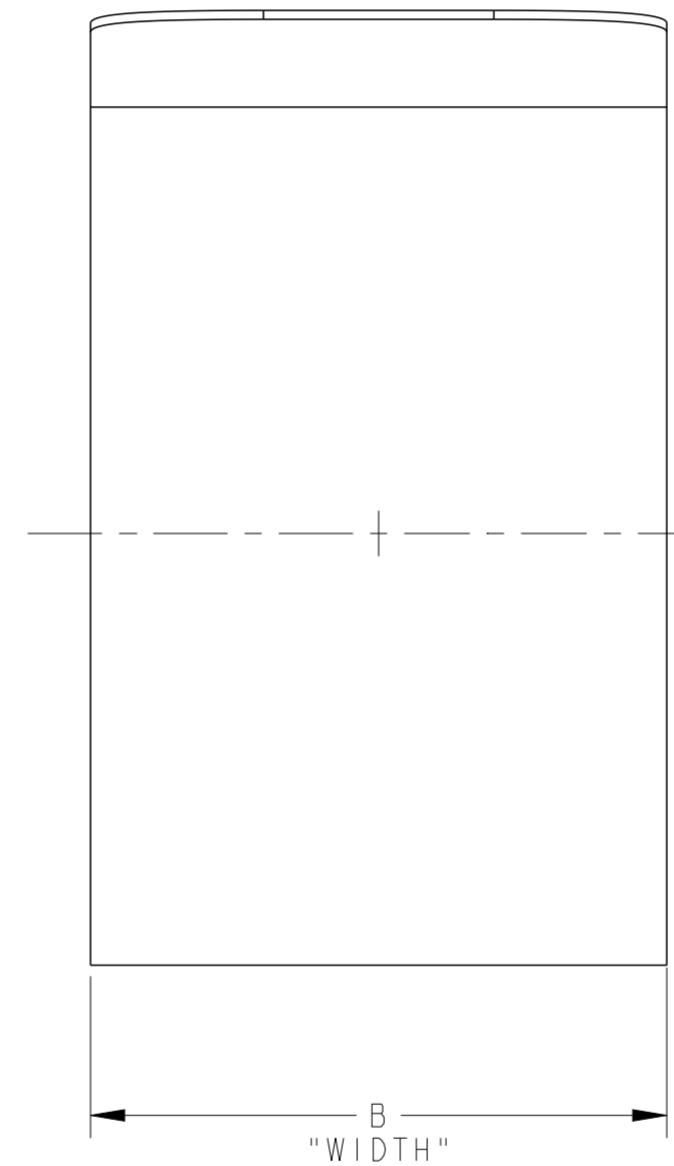
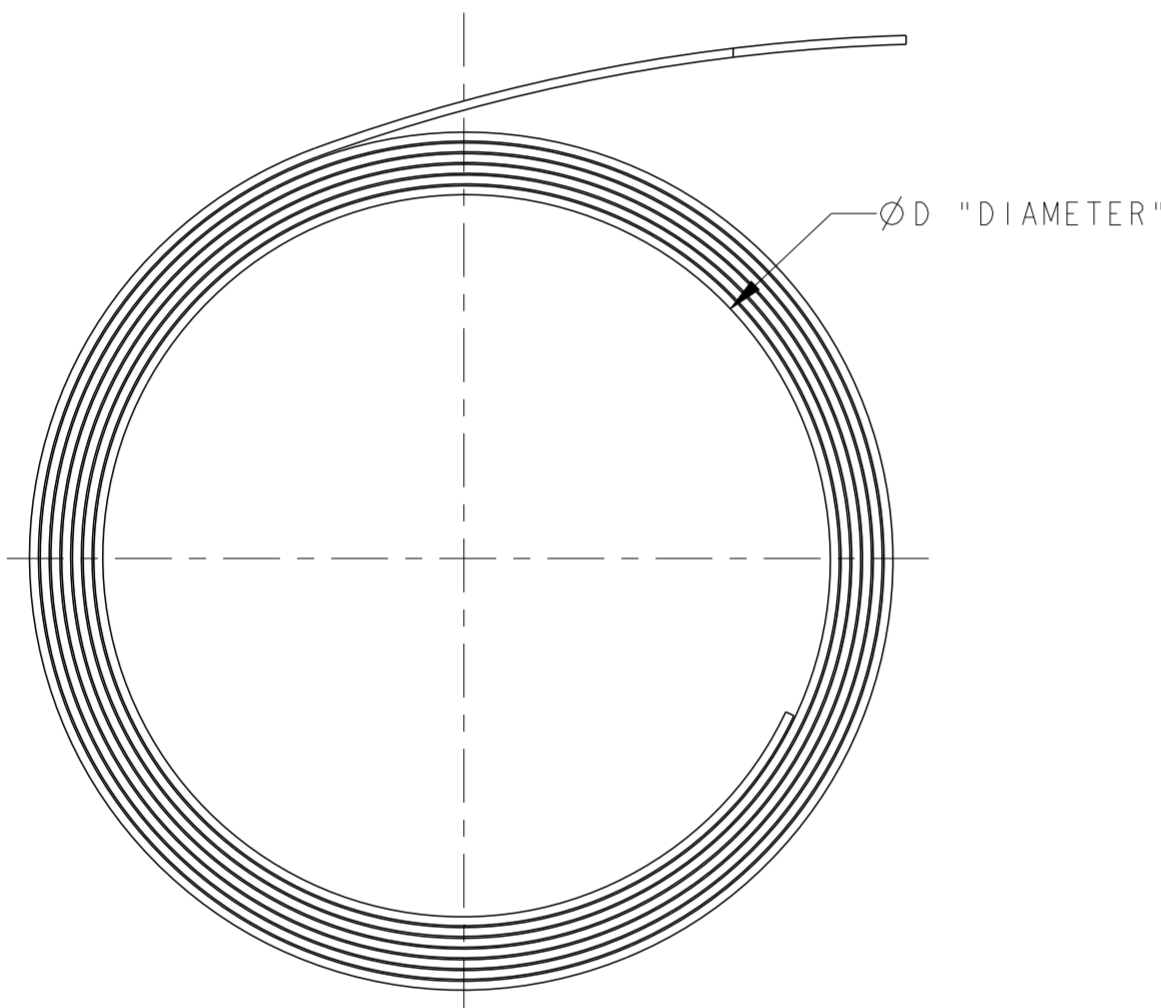
⚠ BRAID MATERIAL: TINNED COPPER FLAT BRAID.
BRAID GAUGE: #6, WEAVE: 48X22/36


PART NO	DESCRIPTION
FG1674-000	EPPA-101-6-610-TCW

THIS DRAWING IS A CONTROLLED DOCUMENT.		DWN M. SARVESH 11MAR2024	TE Connectivity	
DIMENSIONS: in [mm]		CHK W. DAVID E 12MAR2024		
TOLERANCES UNLESS OTHERWISE SPECIFIED: 0 PLC ±.5 1 PLC ±.5 2 PLC ±0.13 3 PLC ±0.013 4 PLC ±0.0001 ANGLES ±.		APVD G. YASIN 12MAR2024	NAME ELB-600-CES-GRD	
MATERIAL TBD		PRODUCT SPEC -	RESTRICTED TO -	
FINISH -		APPLICATION SPEC -	SIZE A200779	DRAWING NO C-E00002212
		WEIGHT -	SCALE 1:1	SHEET 2 OF 3
		CUSTOMER DRAWING; RESTRICTED CUSTOMER	REV A	

PART NUMBER	USAGE RANGE (mm)		B "WIDTH" (mm)	ØD "DIAMETER" (mm)	LENGTH (mm)
	MIN	MAX			
EPPA-034-E	17	29	25	14	570
EPPA-034-F	30	39	25	22	700
EPPA-034-G	40	60	25	30	950

P	LTR	DESCRIPTION	DATE	DWN	APVD
		SEE SHEET 1			



THIS DRAWING IS A CONTROLLED DOCUMENT.		DWN M. SARVESH 11MAR2024	 TE Connectivity	
DIMENSIONS: mm		CHK W. DAVID E 12MAR2024		
TOLERANCES UNLESS OTHERWISE SPECIFIED:		APVD G. YASIN 12MAR2024	NAME ELB-600-CES-GRD	
0 PLC ± 1 PLC ±0.5 2 PLC ±0.13 3 PLC ±0.013 4 PLC ±0.001 ANGLES ±		PRODUCT SPEC -	SIZE A200779	
MATERIAL -		APPLICATION SPEC -	CAGE CODE C-E00002212	DRAWING NO -
FINISH -		WEIGHT -	RESTRICTED TO -	
CUSTOMER DRAWING; RESTRICTED CUSTOMER			SCALE 1:1	SHEET 3 OF 3
			REV A	