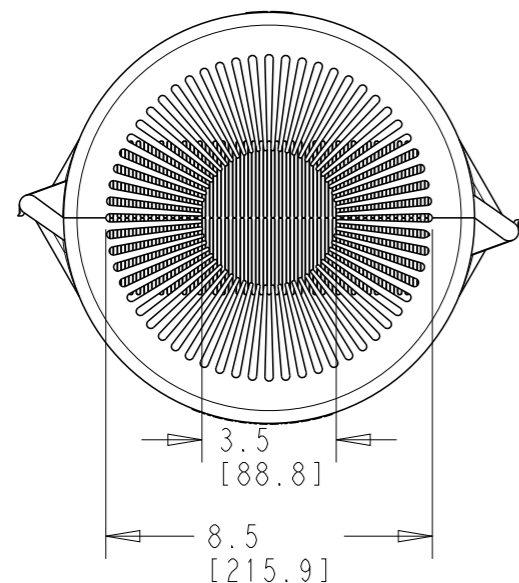
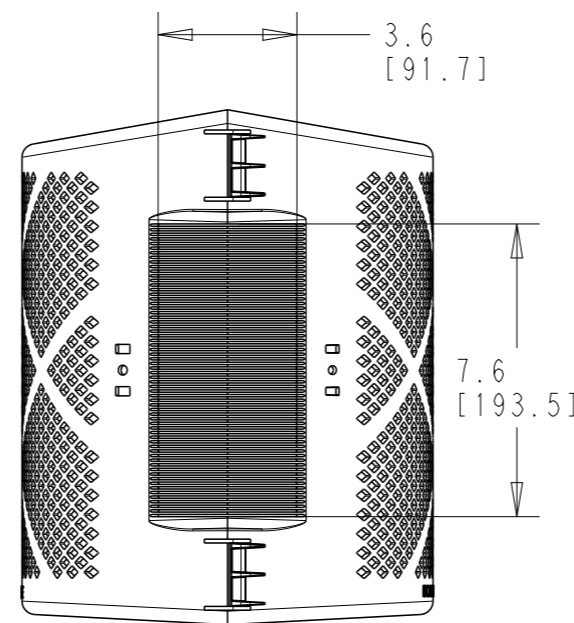
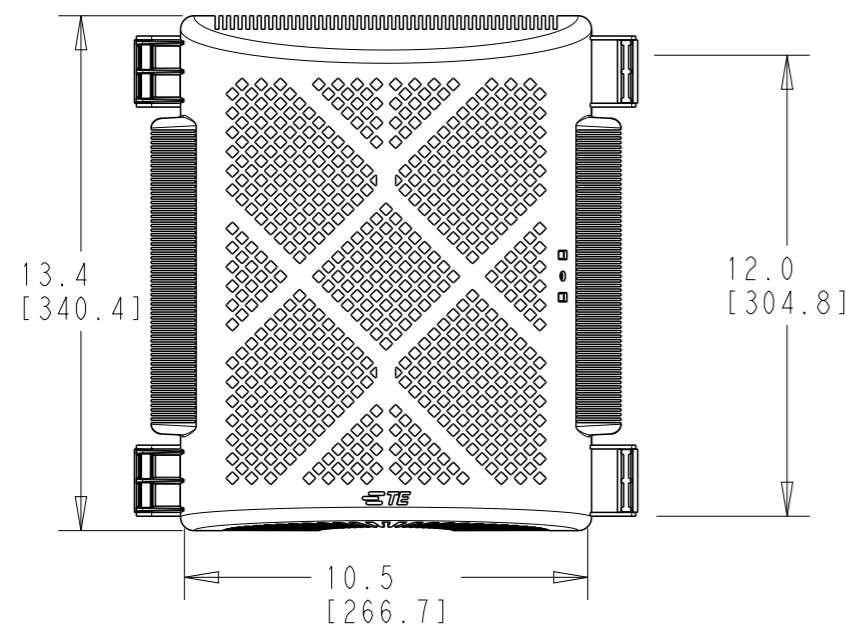
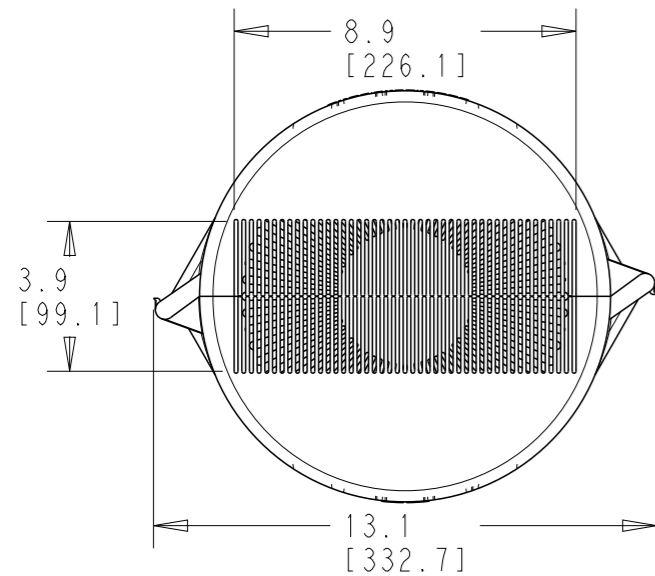



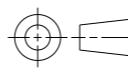
P	LTR	DESCRIPTION	DATE	DWN	APVD
	A	INITIAL RELEASE	09NOV2022	SL	LH

NOTES:

- PARTS ARE KITTED 3 ASSEMBLIES PER BOX. EACH ASSEMBLY CONSISTS OF 2 HALVES SNAPPED TOGETHER. PII-BCAC-IC2-COVERS ALSO INCLUDED.
- EACH BOX SHALL BE LABELLED WITH PART DESCRIPTION, LOT NUMBER, QUANTITY, PART NUMBER, AND MANUFACTURING DATE.

TCPN	DESCRIPTION
ES1113-000	BCAC-IC2-10.5D/12(B3)
ES1114-000	BCAC-G-IC2-10.5D/12(B3)
ES1263-000	BCAC-P-1C2-10.5D/12(B3)



THIS DRAWING IS A CONTROLLED DOCUMENT.		DWN	09NOV2022	 TE Connectivity	
		CHK	LH 09NOV2022		
		APVD	LH 09NOV2022		
		PRODUCT SPEC	-		
DIMENSIONS: in [mm]		TOLERANCES UNLESS OTHERWISE SPECIFIED:		NAME BCAC-IC2-10.5D/12 BCAC-G-IC2-10.5D/12 BCAC-P-IC2-10.5D/12	
		0 PLC ±- 1 PLC ±0.1 2 PLC ±0.02 3 PLC ±0.005 4 PLC ±0.0005 ANGLES ±-		APPLICATION SPEC -	
MATERIAL		FINISH		SIZE CAGE CODE DRAWING NO RESTRICTED TO A3 00779 ©E00002121 -	
-		-		WEIGHT - CUSTOMER DRAWING SCALE 1:5 SHEET 1 OF 1 REV A	