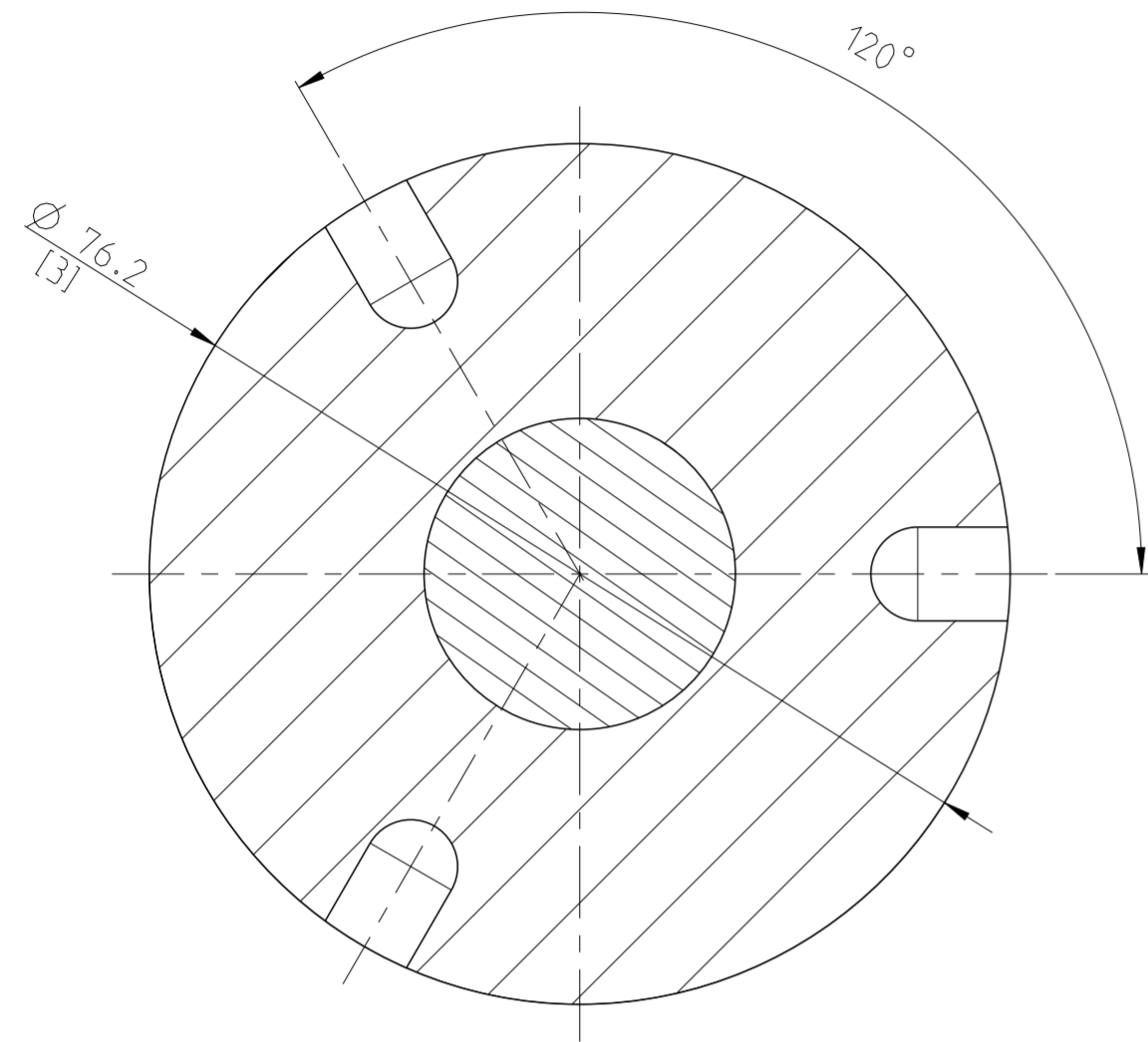
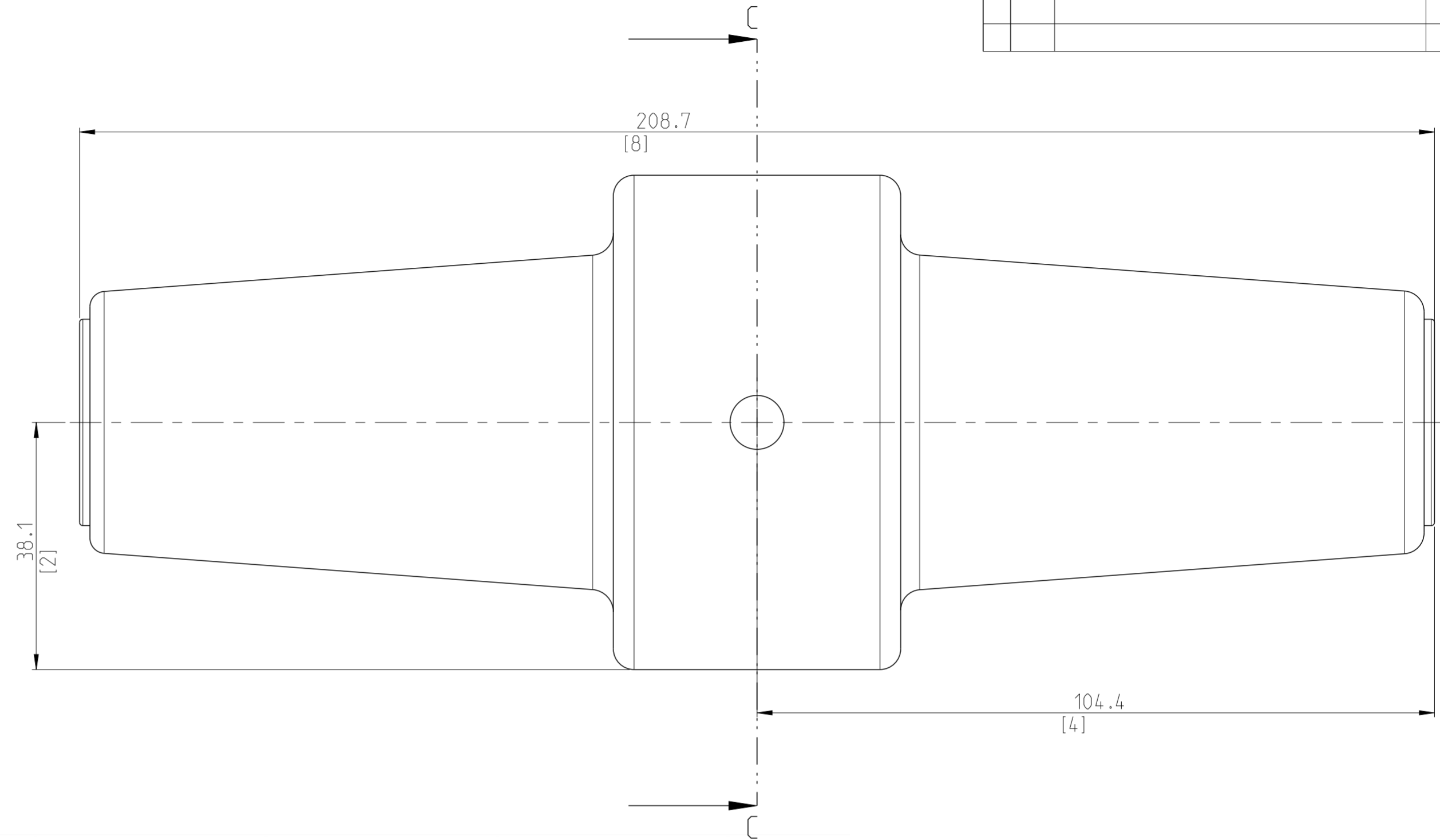


P	LTR	DESCRIPTION	DATE	DWN	APVD
	A	INITIAL RELEASE	14AUG2023	MS	W DE



SECTION C-C



ELB-15/28-900-CP-CU

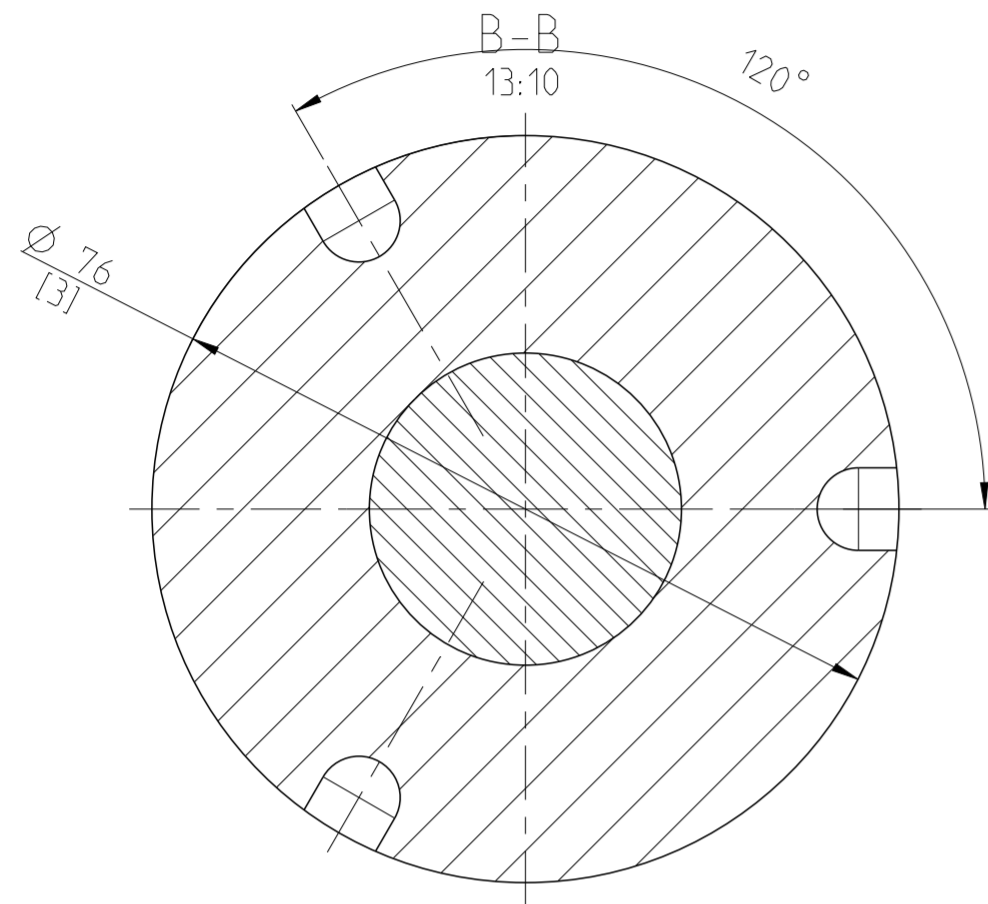


ELB-15/28-600-CP-AL

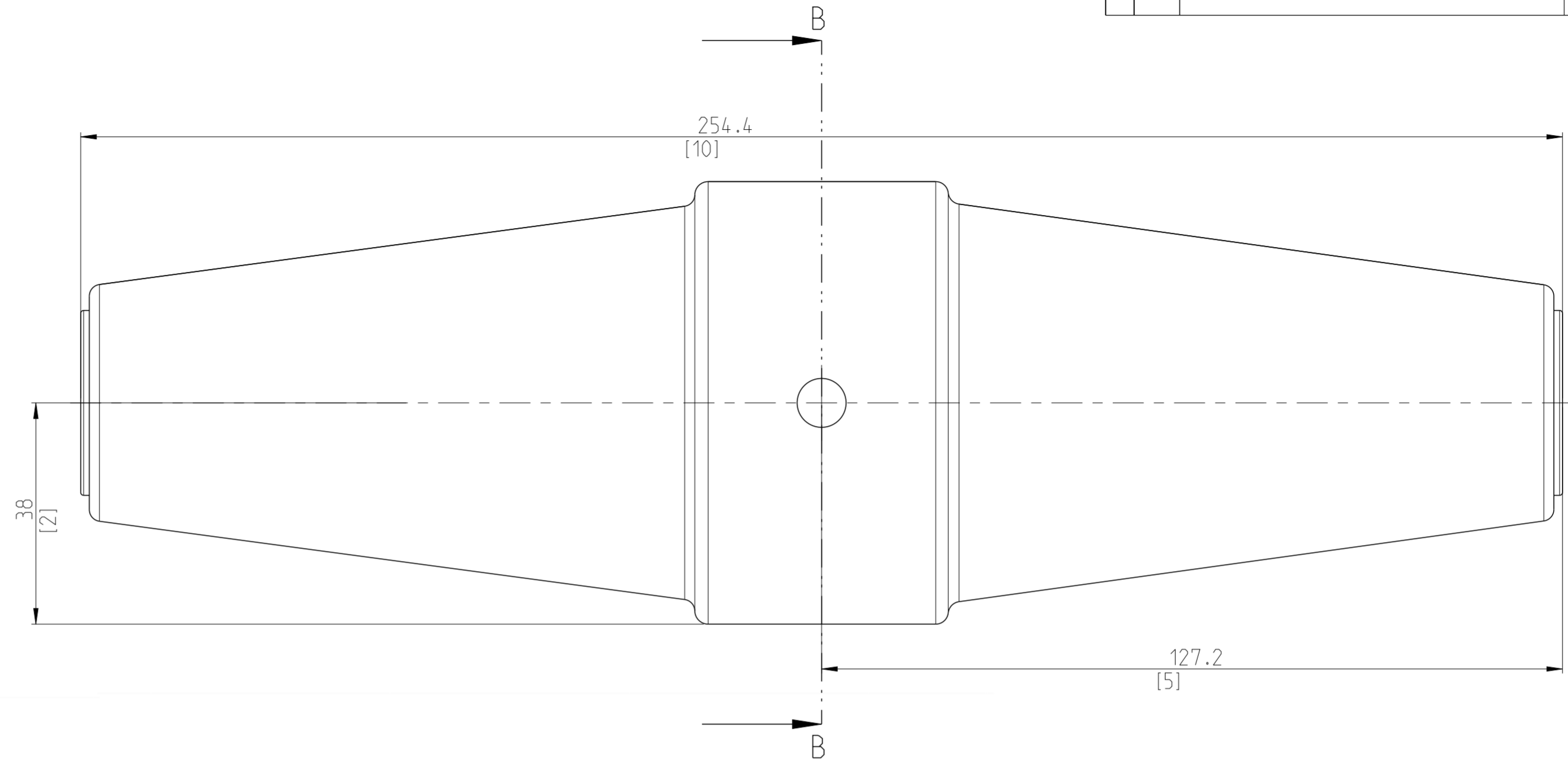
TCPN	DESCRIPTION	MATERIAL
ED0514-000	ELB-15/28-600-CP-AL	ALUMINIUM
CX5613-000	ELB-15/28-900-CP-CU	COPPER

THIS DRAWING IS A CONTROLLED DOCUMENT.		DWN M. SARVESH 14AUG2023	TE Connectivity	
DIMENSIONS: mm / in		CHK C. JASON N 15AUG2023		
TOLERANCES UNLESS OTHERWISE SPECIFIED:		APVD W. DAVID E 15AUG2023	NAME ELB-15/28-600-CP-AL ELB-15/28-900-CP-CU 25kV CONNECTING PLUG	
0 PLC ± 1 PLC ±0.2 2 PLC ±0.07 3 PLC ±0.009 4 PLC ±0 ANGLES ± FINISH -		PRODUCT SPEC -	SIZE A2	CAGE CODE 100779
MATERIAL EPOXY BLACK		APPLICATION SPEC -	DRAWING NO E00002087-C	RESTRICTED TO -
		WEIGHT -	SCALE 5:1	SHEET 1 OF 2
		CUSTOMER DRAWING	REV A	

P	LTR	DESCRIPTION	DATE	DWN	APVD
-	-	SEE SHEET 1	-	-	-



SECTION B-B



ELB-35-900-CP-CU



ELB-35-600-CP-AL

TCPN	DESCRIPTION	TCPN (200BIL)	DESCRIPTION	MATERIAL
ED0516-000	ELB-35-600-CP-AL	EN5564-000	ELB-35-600-CP-AL-200	ALUMINIUM
ED0517-000	ELB-35-900-CP-CU	-TBD-	ELB-35-900-CP-CU-200	COPPER

THIS DRAWING IS A CONTROLLED DOCUMENT.		DWN M. SARVESH 14 AUG 2023		
DIMENSIONS: mm / in		CHK C. JASON N 15 AUG 2023		
TOLERANCES UNLESS OTHERWISE SPECIFIED:		APVD W. DAVID E 15 AUG 2023	NAME ELB-35-600-CP-AL ELB-35-900-CP-CU 35kV CONNECTING PLUG	
0 PLC ± 1 PLC ±0.2 2 PLC ±0.07 3 PLC ±0.009 4 PLC ±0 ANGLES ± FINISH		PRODUCT SPEC -	SIZE A2	CAGE CODE 100779
MATERIAL EPOXY BLACK		APPLICATION SPEC -	DRAWING NO E00002087-C	RESTRICTED TO -
-		WEIGHT -	SCALE 5:1	SHEET 2 OF 2
-		CUSTOMER DRAWING	REV A	