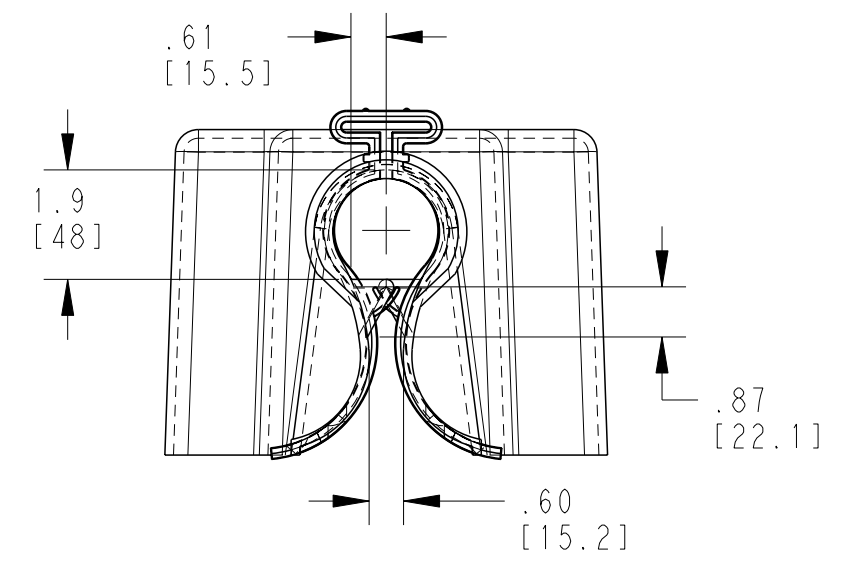
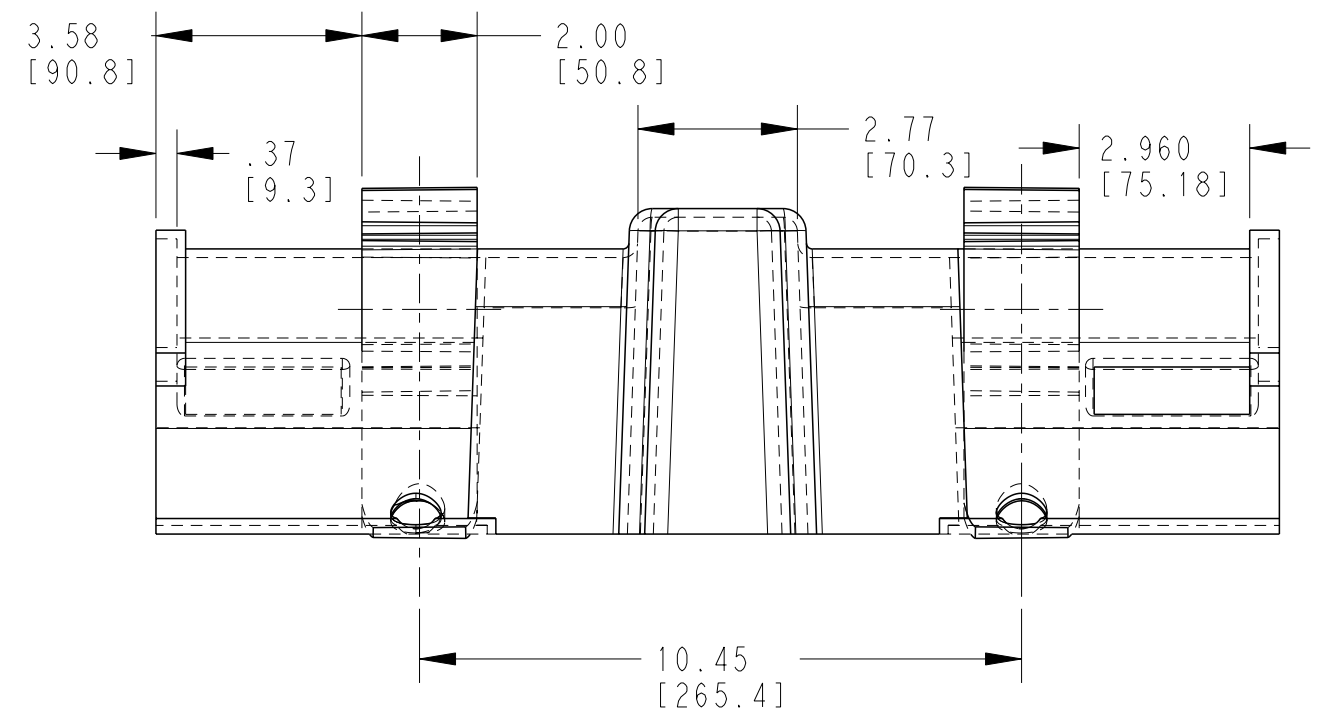
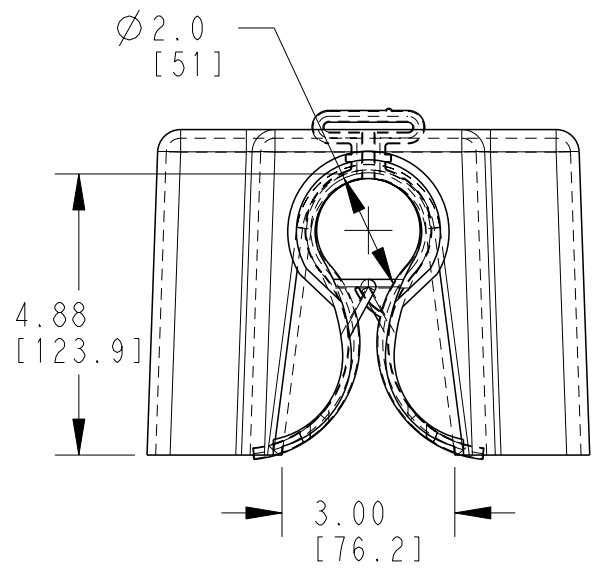
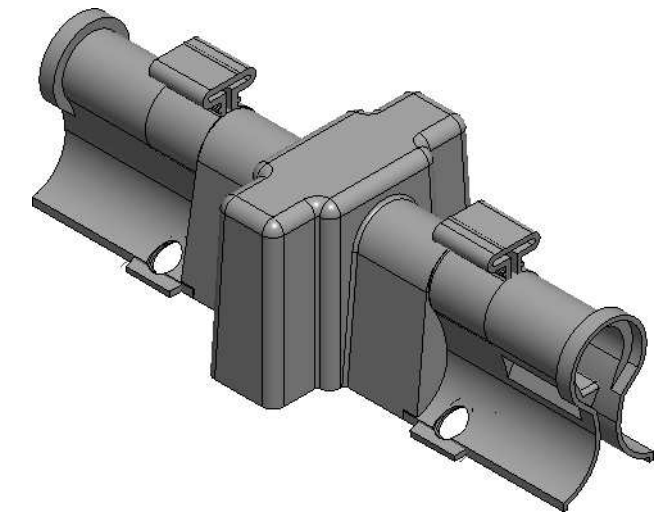
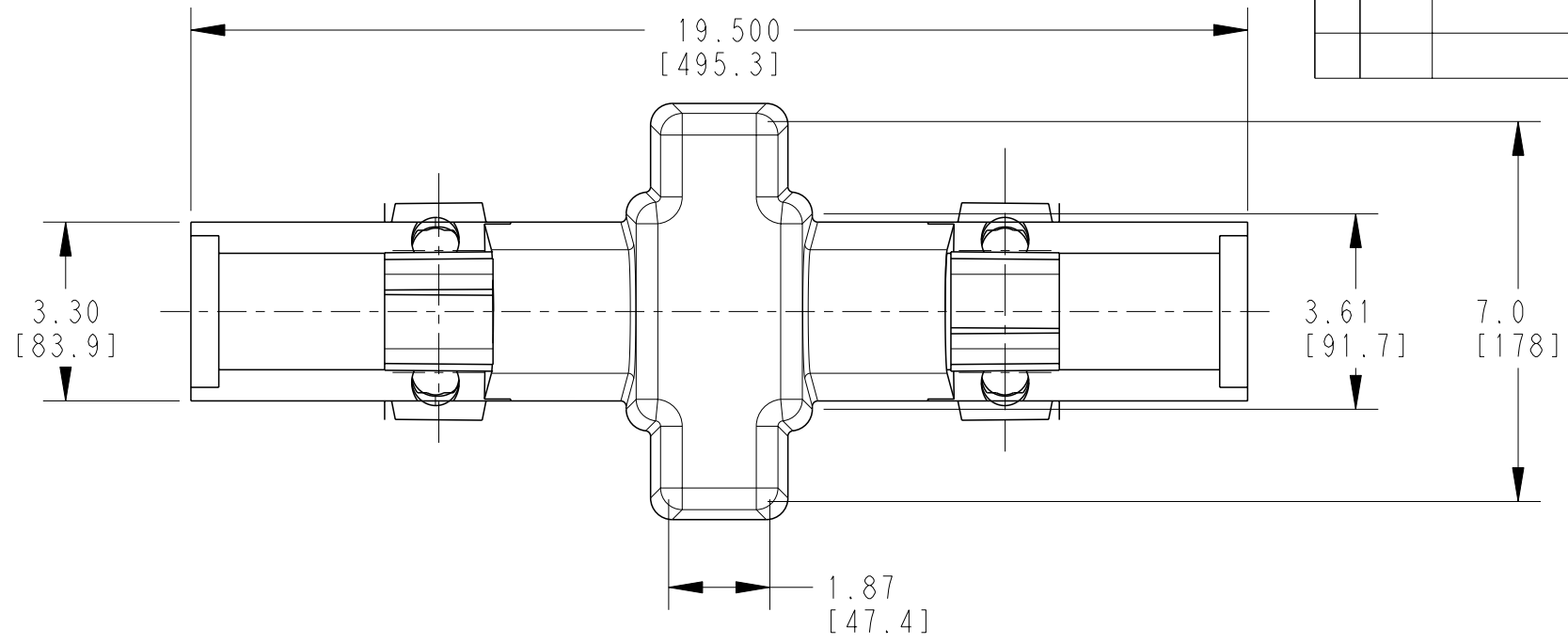



REVISIONS					
P	LTR	DESCRIPTION	DATE	DWN	APVD
	A	INITIAL RELEASE	29APR2021	AS	LH



EK0650-000
PART NO.

- NOTES:
1. MATERIAL: TE THICK GRAY BCIS
 2. EACH BOX SHALL BE LABELLED WITH DESCRIPTION, LOT NUMBER, PART NUMBER, MANUFACTURING DATE, AND QUANTITY
 3. KITTED 6 PER BOX

THIS DRAWING IS A CONTROLLED DOCUMENT.		DWN A. SABARAD 29APR2021	 TE Connectivity NAME BCIC-GT-PIN/CT											
DIMENSIONS: INCH (MM)		CHK S. LIGHT 29APR2021												
TOLERANCES UNLESS OTHERWISE SPECIFIED:		APVD L. HILLER 29APR2021												
<table border="1"> <tr> <td>0 PLC</td> <td>±</td> </tr> <tr> <td>1 PLC</td> <td>±0.1</td> </tr> <tr> <td>2 PLC</td> <td>±0.01</td> </tr> <tr> <td>3 PLC</td> <td>±0.005</td> </tr> <tr> <td>4 PLC</td> <td>±</td> </tr> <tr> <td>ANGLES</td> <td>±1/2°</td> </tr> </table>		0 PLC				±	1 PLC	±0.1	2 PLC	±0.01	3 PLC	±0.005	4 PLC	±
0 PLC	±													
1 PLC	±0.1													
2 PLC	±0.01													
3 PLC	±0.005													
4 PLC	±													
ANGLES	±1/2°													
MATERIAL		FINISH	APPLICATION SPEC	SIZE A3	CAGE CODE 00779	DRAWING NO C-E00001846	RESTRICTED TO -							
CUSTOMER DRAWING			WEIGHT	SCALE NTS	SHEET 1 OF 1	REV A								

Printed on 23 Nov 2022 17:41 (India Standard Time) from IE397707