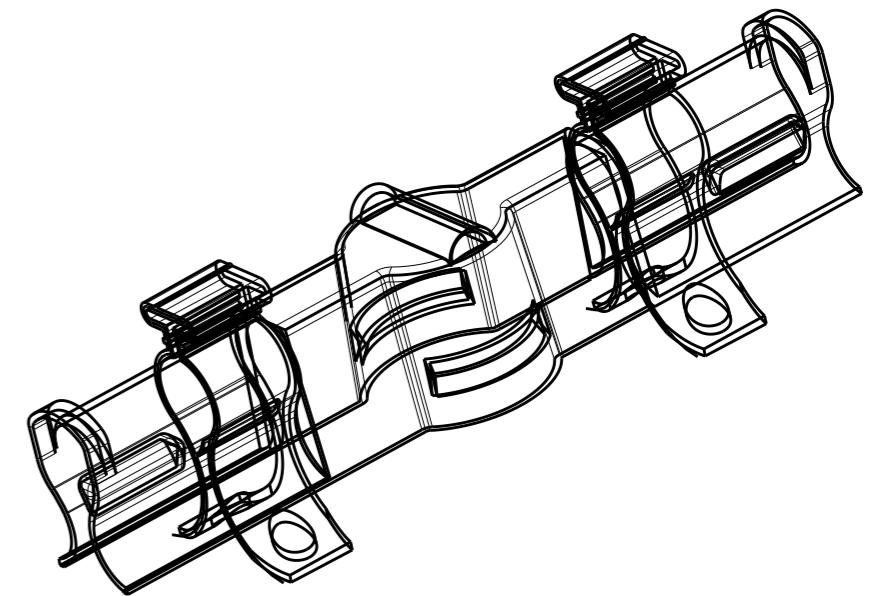
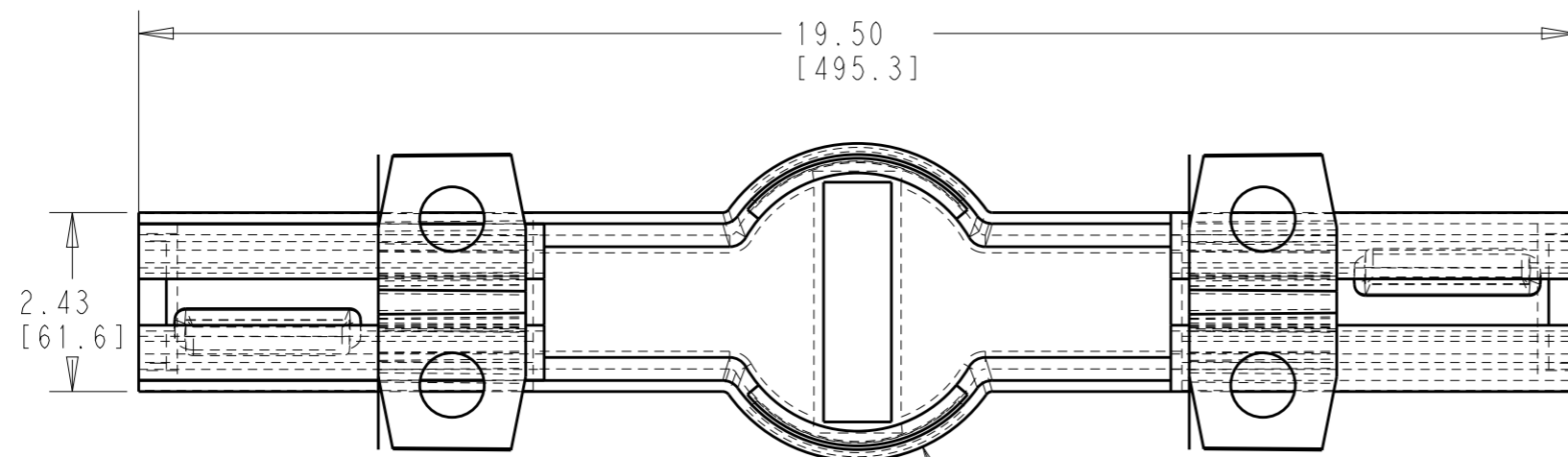
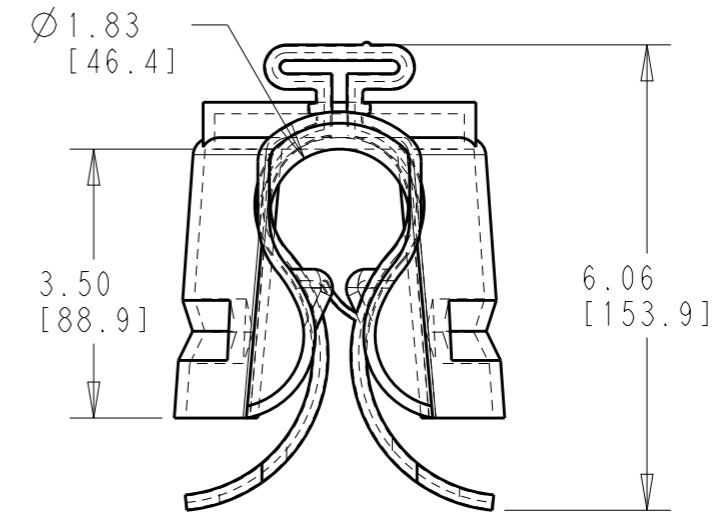
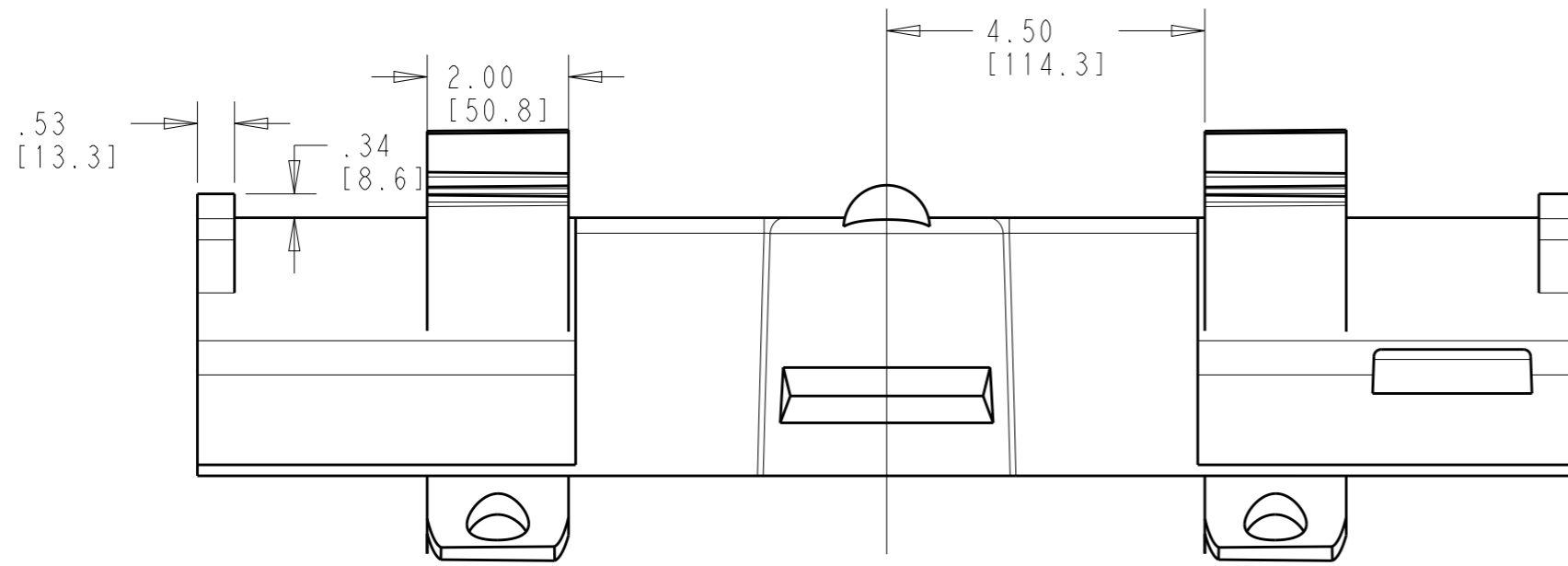


P	LTR	DESCRIPTION	DATE	DWN	APVD
	A	INITIAL RELEASE	12OCT2020	SL	LH




SCALE 1:4

TE-PN	DESCRIPTION
EK4276-000	BCIC-GT-PIN(B6)

NOTES:

- PARTS TO BE KITTED 6 PIECES PER BOX
- PART SHALL BE KITTED WITH PII-70140
- EACH BOX SHALL BE LABELLED WITH DESCRIPTION, LOT NUMBER, PART NUMBER MANUFACTURING DATE AND QUANTITY.

Ø 4.30 [109.2]

THIS DRAWING IS A CONTROLLED DOCUMENT.		DWN	SL	12OCT2020	 TE Connectivity
		CHK	LH	12OCT2020	
		APVD	LH	12OCT2020	
		PRODUCT SPEC	-	-	
		APPLICATION SPEC	-	-	NAME
		WEIGHT	-	-	BCIC-GT-PIN
		CUSTOMER DRAWING	-	-	SIZE
					A3
					CAGE CODE
					00779
					DRAWING NO
					©-E00001652
					RESTRICTED TO
					-
					SCALE
					2:5
					SHEET
					1 OF 1
					REV
					A1