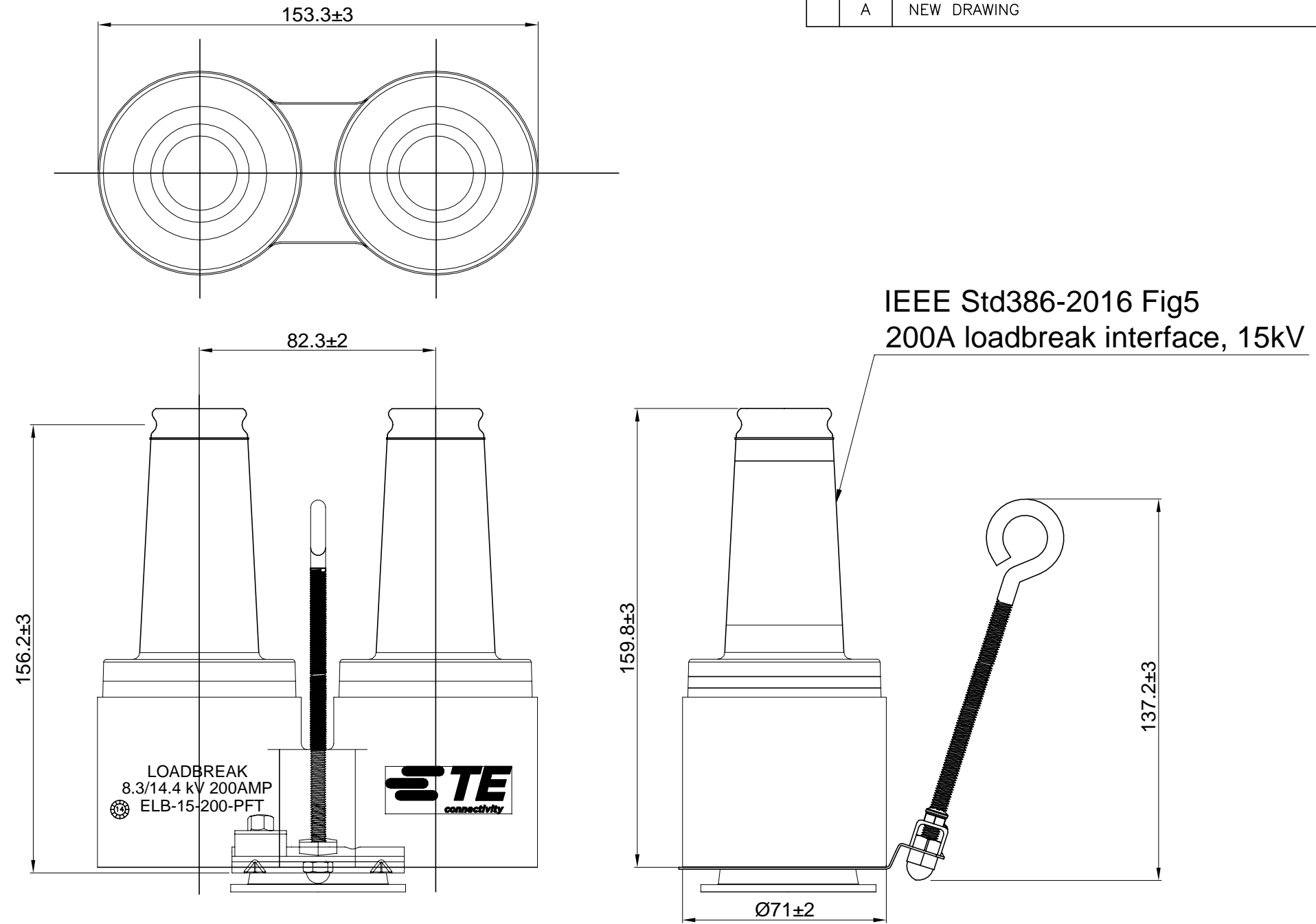


REVISIONS					
P	LTR	DESCRIPTION	DATE	DWN	APVD
	A	NEW DRAWING	04MAY2020	RS	BA



TCPN	TE PRODUCT DESCRIPTION
EP6567-000	ELB-15-200-PFT

Note :
 Production Tests :
 1.AC 60Hz 1min Withstand : 34kV
 2.Minimun Corona Voltage level : 11kV(<3 pC)
 3.BIL : 95kV

THIS DRAWING IS A CONTROLLED DOCUMENT.		DWN	04MAY2020		
		CHK	04MAY2020		
		APVD	04MAY2020		
		NAME	B AYRES		
DIMENSIONS:	TOLERANCES UNLESS OTHERWISE SPECIFIED:	PRODUCT SPEC	15kV 200A PORTABLE FEED-THRU		
mm		APPLICATION SPEC			
	0 PLC ± -	WEIGHT	-		RESTRICTED TO
	1 PLC ± -				
	2 PLC ± -				
	3 PLC ± -				
	4 PLC ± -				
	ANGLES ± -				
MATERIAL	FINISH		SIZE	CAGE CODE	DRAWING NO
-	-		A3	00779	C-E00001441
CUSTOMER DRAWING			SCALE	SHEET	REV
			NTS	1 of 1	A