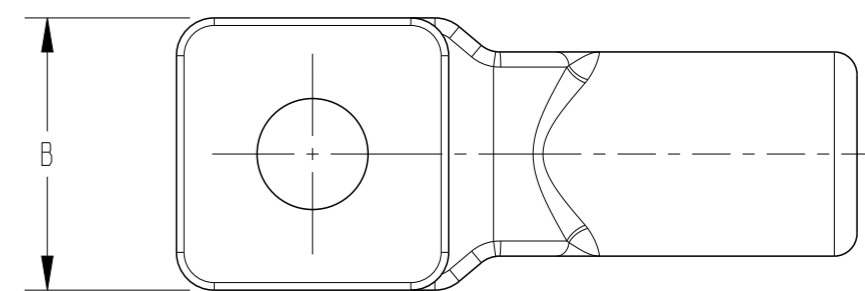
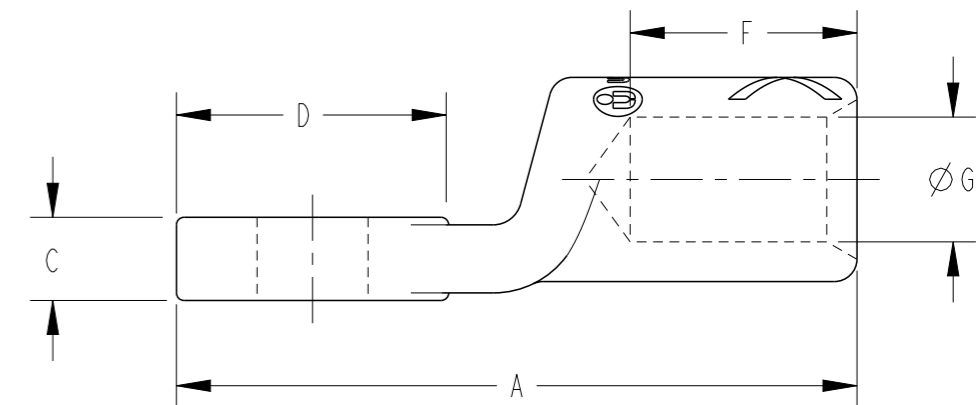

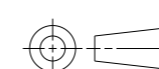


TCPN	CATALOGUE NUMBER	CONDUCTOR AREA (mm <sup>2</sup> )	CONDUCTOR STRANDING	STUD SIZE	DIMENSIONS (mm)						CRIMPING DIE
					A	B	C	D	F	G	
348150-000	AG16M10	16	7/1.70	M10	65	22	5	22	32	5.5	38-90AL
843034-000	AG16MB			Nil							
666544-000	AG25M10	25	19/1.35	M10	65	22	5	22	32	7	38-90AL
645282-000	AG25MB			Nil							
256784-000	AG35M10	35	19/1.53	M10	65	22	5	22	32	8.5	38-90AL
364142-000	AG35MB			Nil							
398090-000	AG50M10	50	19/1.78	M10	73	26	8	28	32.5	9.5	38-132AL
595782-000	AG50MB			Nil							
521386-000	AG50M12	70	19/2.14	M12	73	26	8	28	32.5	11	38-132AL
262912-000	AG70M10			M10							
236718-000	AG70M12			M12							
596072-000	AG70MB			Nil							
988620-000	AG7016	95	37/1.78	M16	80	30	10	35	37	15	38-173AL 40-172AL
946682-000	AG95M10			M10							
730602-000	AG95M12	120	37/2.03	M12	80	30	10	35	37	15	38-173AL 40-172AL
014466-000	AG120M10			M10							
802788-000	AG120M12			M12							
126630-000	AG120MB	150	37/2.25	Nil	90	36	11	36	37	16.5	38-220AL 40-220AL
169630-000	AG150M10			M10							
928288-000	AG150M12			M12							
631920-000	AG150MB	185	37/2.52	Nil	90	36	11	36	36	18.5	38-220AL 40-220AL
203150-000	AG185M12			M12							
EF0666-000	AG185M16			M16							
533476-000	AG185MB	240	61/2.25	Nil	115	46	12	50	42	21	38-284AL 40-283AL
970752-000	AG240M12			M12							
820318-000	AG240MB	300	61/2.52	Nil	115	46	12	50	41	23.5	38-284AL 40-283AL
158602-000	AG300M12			M12							
157464-000	AG400M12	400	61/2.85	M12	150	54	15	54	68	26.5	40-390AL
224718-000	AG400MB			Nil							
917524-000	AG500MB	500	61/3.20	Nil	150	54	15	54	68	29.5	40-390AL
432784-000	AG630MB	630	127/2.52	Nil	159.5	60	15	60	68	33.5	40-432AL

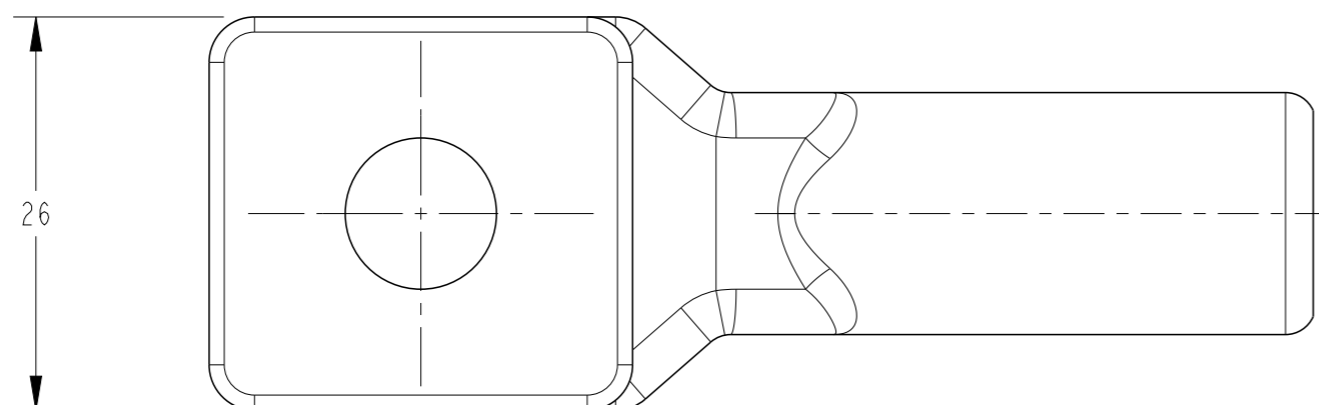
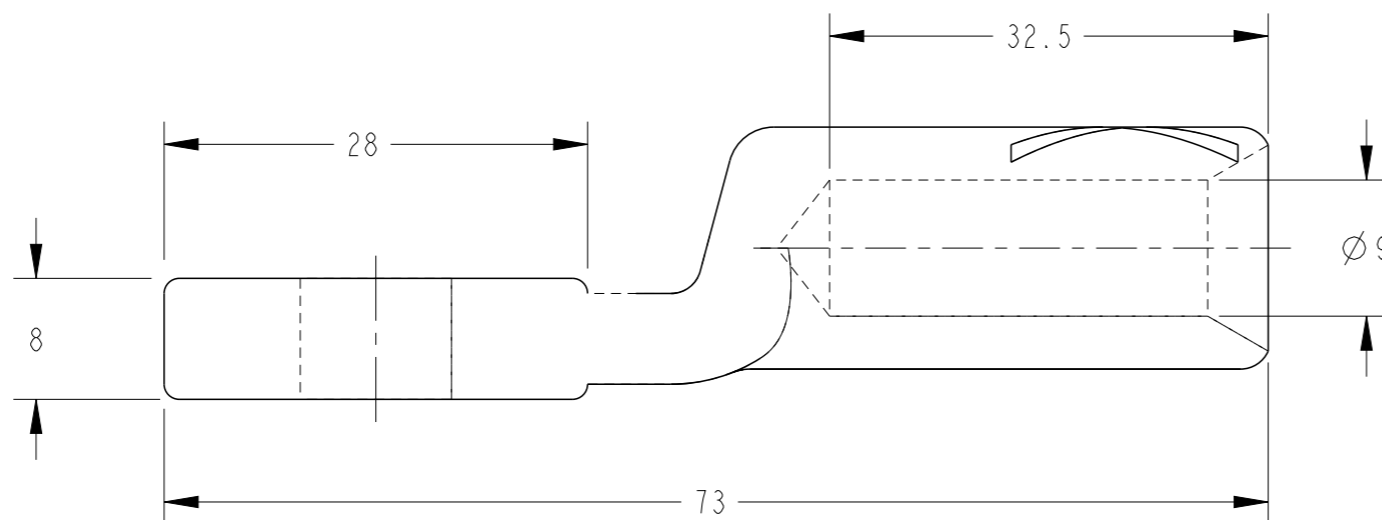
P	LTR	DESCRIPTION	DATE	DWN	APVD
	A	INITIAL RELEASE	30NOV2020	AS	MF



THIS DRAWING IS A CONTROLLED DOCUMENT.		DWN A. SAMAL	30NOV2020	 TE Connectivity NAME ALUMINIUM LUG					
DIMENSIONS: mm		CHK S. CHAD	30NOV2020						
		APVD M. FRATER	30NOV2020						
TOLERANCES UNLESS OTHERWISE SPECIFIED:		PRODUCT SPEC	-						
0 PLC ± 1 PLC ± 2 PLC ± 3 PLC ± 4 PLC ± ANGLES ±		APPLICATION SPEC	-	SIZE	CAGE CODE	DRAWING NO	RESTRICTED TO		
MATERIAL		FINISH	-	WEIGHT	-	A3 00779	©-E00001150		
CUSTOMER DRAWING				SCALE	NTS	SHEET	1 OF 2	REV	A

REVISIONS

P	LTR	DESCRIPTION	DATE	DWN	APVD
-	-	SEE SHEET 1	-	-	-



TCPN	CATALOGUE NUMBER	CONDUCTOR AREA (mm <sup>2</sup> )	STUD SIZE	DIMENSIONS (mm)						CRIMPING DIE
				A	B	C	D	F	G	
672906-000	AG40ETM12	40	M12	73	26	8	28	32.5	9	38-132AL

THIS DRAWING IS A CONTROLLED DOCUMENT.		DWN A. SAMAL 30NOV2020			
DIMENSIONS: mm		CHK S. CHAD 30NOV2020			
TOLERANCES UNLESS OTHERWISE SPECIFIED:		APVD M. FRATER 30NOV2020	NAME ALUMINIUM LUG		
		PRODUCT SPEC -	RESTRICTED TO		
MATERIAL -		APPLICATION SPEC -	SIZE A3	CAGE CODE 00779	DRAWING NO G-E00001150
FINISH -		WEIGHT -	SCALE NTS		SHEET 2 OF 2
		CUSTOMER DRAWING	REV A		