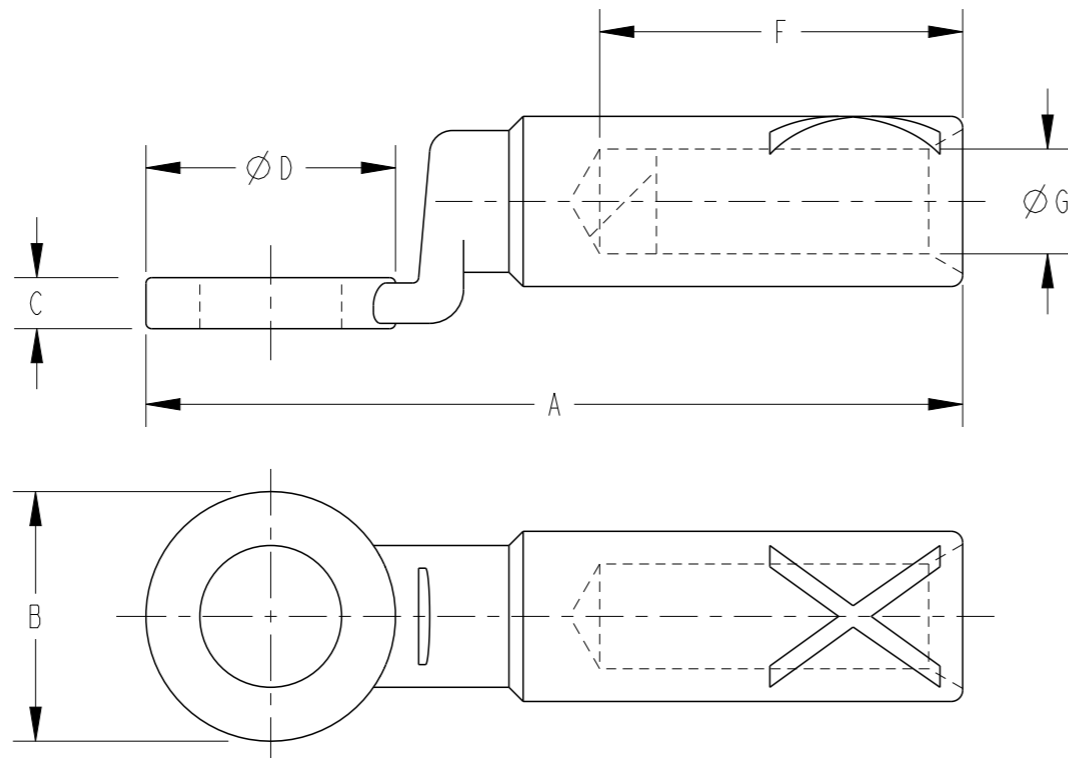


REVISIONS

P	LTR	DESCRIPTION	DATE	DWN	APVD
	A	INITIAL RELEASE	18FEB2021	RS	MF



TCPN	CATALOGUE NUMBER	CONDUCTOR AREA (mm <sup>2</sup> )	CONDUCTOR STRANDING	STUD SIZE	DIMENSIONS (mm)						CRIMPING DIE
					A	B	C	D	F	G	
EB0412-000	BG16MB	16	7/1.70	Nil	72	22	4.5	22	32	5.5	38-90AL
CG4060-000	BG25MB	25	19/1.35	Nil	72	22	4.5	22	32	7	38-90AL
CF2633-000	BG25M10	25	19/1.35	M10	72	22	4.5	22	32	7	38-90AL
CG4061-000	BG35MB	35	19/1.53	Nil	72	22	4.5	22	32	8.2	38-132AL
CF2634-000	BG35M10	35	19/1.53	M10	72	22	4.5	22	32	8.2	38-132AL
CF2635-000	BG35M12	35	19/1.53	M12	72	22	4.5	22	32	8.2	38-132AL
EF0664-000	BG35M16	35	19/1.53	M16	72	22	4.5	22	32	8.2	38-132AL
CG4062-000	BG50MB	50	19/1.78	Nil	72	22	4.5	22	32	9.5	38-132AL
CG4063-000	BG50M10	50	19/1.78	M10	72	22	4.5	22	32	9.5	38-132AL
CG4064-000	BG50M12	50	19/1.78	M12	72	22	4.5	22	32	9.5	38-132AL
CG4065-000	BG70MB	70	19/2.14	Nil	72	22	4.5	22	32	11	38-132AL
CG4066-000	BG70M10	70	19/2.14	M10	72	22	4.5	22	32	11	38-132AL
CG4067-000	BG70M12	70	19/2.14	M12	72	22	4.5	22	32	11	38-132AL
EB0416-000	BG75M12	75	NA	M12	116	30	6	30	60	12	38-173AL, 40-172AL
CG4068-000	BG95MB	95	37/1.78	Nil	116	30	6	30	60	13	38-173AL, 40-172AL
CG4069-000	BG95M10	95	37/1.78	M10	116	30	6	30	60	13	38-173AL, 40-172AL
CF2636-000	BG95M12	95	37/1.78	M12	116	30	6	30	60	13	38-173AL, 40-172AL
CG4070-000	BG120MB	120	37/2.03	Nil	116	30	6	30	60	15	38-173AL, 40-172AL
CF2637-000	BG120M12	120	37/2.03	M12	116	30	6	30	60	15	38-173AL, 40-172AL
CG4071-000	BG120M16	120	37/2.03	M16	116	30	6	30	60	15	38-173AL, 40-172AL

THIS DRAWING IS A CONTROLLED DOCUMENT.

DWN RAVI.S 18FEB2021

CHK S.CHAD 18FEB2021

APVD M.FRATER 18FEB2021

PRODUCT SPEC

APPLICATION SPEC

WEIGHT

CUSTOMER DRAWING



TE Connectivity

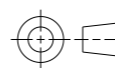
NAME BI-METAL CRIMP LUGS

SIZE A3 CAGE CODE 00779 DRAWING NO. C-E00001149 RESTRICTED TO

SCALE NTS SHEET 1 OF 2 REV A

DIMENSIONS:

mm

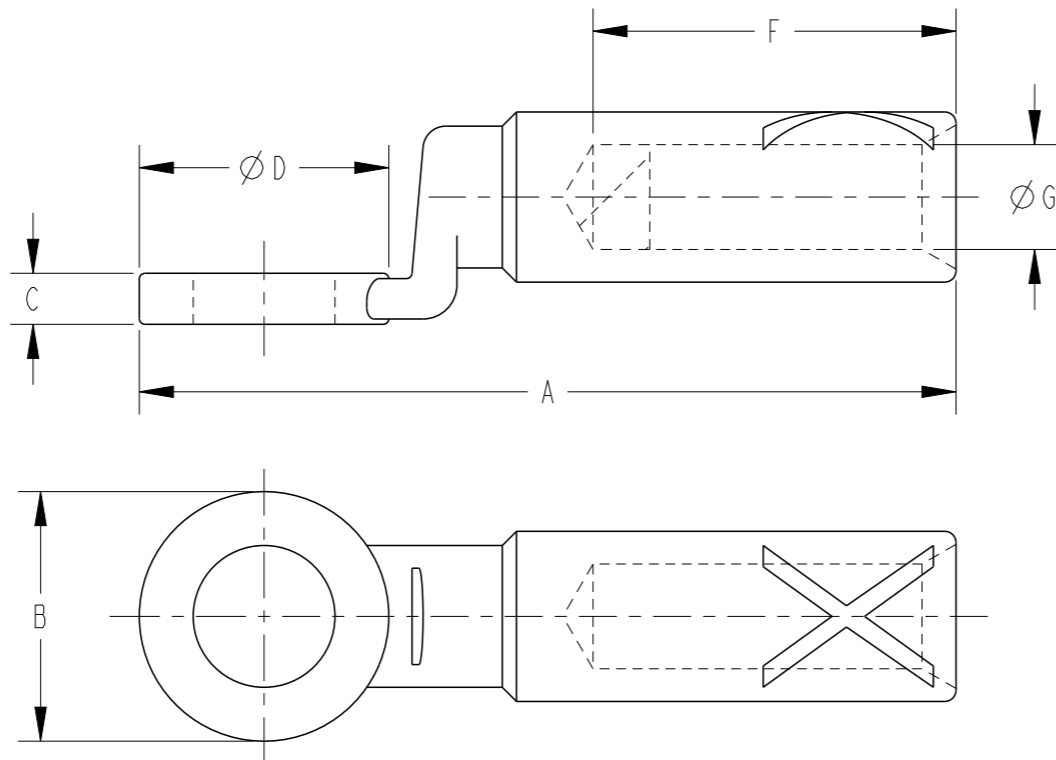


TOLERANCES UNLESS OTHERWISE SPECIFIED:

- 0 PLC ±
- 1 PLC ±
- 2 PLC ±
- 3 PLC ±
- 4 PLC ±
- ANGLES ±
- FINISH -

REVISIONS

P	LTR	DESCRIPTION	DATE	DWN	APVD
	-	SEE SHEET 1	-	-	-



TCPN	CATALOGUE NUMBER	CONDUCTOR AREA (mm <sup>2</sup> )	CONDUCTOR STRANDING	STUD SIZE	DIMENSIONS (mm)						CRIMPING DIE
					A	B	C	D	F	G	
CG4072-000	BG150MB	150	37/2.25	Nil	122	35	7	35	60	16.5	38-220AL, 40-220AL
CR5744-000	BG150M10	150	37/2.25	M10	122	35	7	35	60	16.5	38-220AL, 40-220AL
CF2638-000	BG150M12	150	37/2.25	M12	122	35	7	35	60	16.5	38-220AL, 40-220AL
CG4073-000	BG150M16	150	37/2.25	M16	122	35	7	35	60	16.5	38-220AL, 40-220AL
CG4074-000	BG185MB	185	37/2.52	Nil	122	35	7	35	60	18.5	38-220AL, 40-220AL
CR5745-000	BG185M10	185	37/2.52	M10	122	35	7	35	60	18.5	38-220AL, 40-220AL
CF2639-000	BG185M12	185	37/2.52	M12	122	35	7	35	60	18.5	38-220AL, 40-220AL
CG4075-000	BG185M16	185	37/2.52	M16	122	35	7	35	60	18.5	38-220AL, 40-220AL
CG4076-000	BG240MB	240	61/2.25	Nil	122	35	7	35	60	21	38-284AL, 40-283AL
CR5746-000	BG240M10	240	61/2.25	M10	122	35	7	35	60	21	38-284AL, 40-283AL
CF2640-000	BG240M12	240	61/2.25	M12	122	35	7	35	60	21	38-284AL, 40-283AL
CG4077-000	BG240M16	240	61/2.25	M16	122	35	7	35	60	21	38-284AL, 40-283AL
CG4078-000	BG300MB	300	61/2.52	Nil	122	35	7	35	60	23.5	38-284AL, 40-283AL
CF2641-000	BG300M12	300	61/2.52	M12	122	35	7	35	60	23.5	38-284AL, 40-283AL
EB0428-000	BG400MB	400	61/2.85	Nil	160	50	10	50	70	26.5	40-390AL
EB0429-000	BG500MB	500	61/3.20	Nil	160	50	10	50	70	29.5	40-390AL
EB0431-000	BG630MB	630	127/2.52	Nil	175	60	10	60	70	33.5	40-432AL
CR5739-000	BG630M12	630	127/2.52	M12	175	60	10	60	70	33.5	40-432AL
EB0432-000	BG800MB	800	127/2.85	Nil	221	60	10	60	115	39	40-432AL

THIS DRAWING IS A CONTROLLED DOCUMENT.

DWN RAVI.S 18FEB2021

CHK S.CHAD 18FEB2021

APVD M.FRATER 18FEB2021

PRODUCT SPEC

APPLICATION SPEC

WEIGHT -

CUSTOMER DRAWING

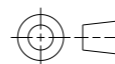


NAME BI-METAL CRIMP LUGS

SIZE A3 CAGE CODE 00779 DRAWING NO. C-E00001149 RESTRICTED TO -

SCALE NTS SHEET 2 OF 2 REV A

DIMENSIONS: mm



TOLERANCES UNLESS OTHERWISE SPECIFIED:

- 0 PLC ±-
- 1 PLC ±
- 2 PLC ±
- 3 PLC ±
- 4 PLC ±
- ANGLES ±
- FINISH -

MATERIAL -

FINISH -