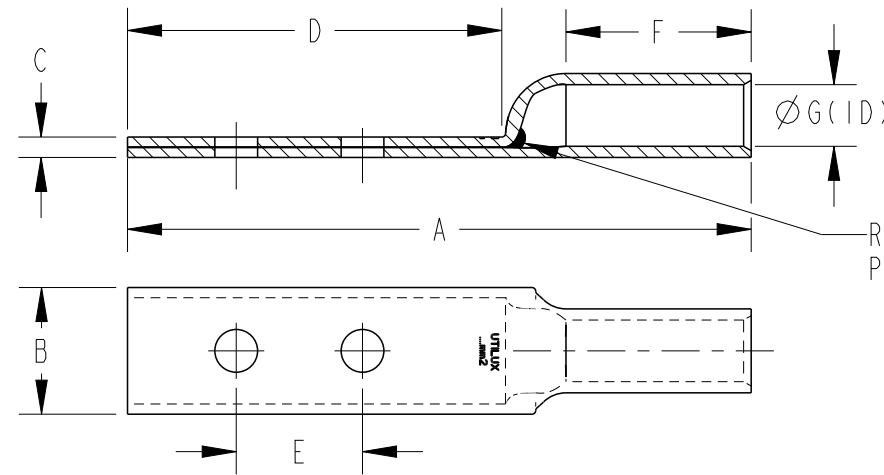


E00001139



REFER TABLE FOR PALM TYPE

P	LTR	DESCRIPTION	DATE	DWN	APVD
	A	INITIAL RELEASE	01DEC2020	AS	MF

TCPN	CATALOGUE NUMBER	CONDUCTOR AREA (mm <sup>2</sup> )	STUD SIZE	DIMENSIONS (mm)							PALM TYPE	CRIMPING DIE
				A	B	C	D	E	F	G		
415872-000	CG16LPM6-16	16	M6	60	13.5	1.9	35	16	21	5.5	Unsealed	38-63CU
C36310-000	CG25LPM10-30	25	M10	80	16.7	1.9	50	30	25	7.1	Unsealed	38-77CU
405020-000	CG35LPM8-25	35	M8	75	18	2.7	47	25	23	8.4	Unsealed	38-92CU
740758-000	CG70LPM12-30	70	M12	101	20.6	3.2	60	30	30	11.03	Sealed	38-115CU
CH9889-000	CG70LPM12-40	70	M12	161	20.6	3.2	100	40	50	11.03	Sealed	38-115CU
840156-000	CG95LPM12-30X12	95	M12	103	25.4	4	60	30	30	13.4	Sealed	38-142CU
CZ8148-000	CG95LPM12-50	95	M12	161	25.4	4	100	50	50	13.4	Sealed	38-142CU
599950-000	CG120LPM10-31.75	120	M10	125.5	30	4.8	78	31.75	32.5	15.5	Sealed	38-165CU
398844-000	CG120LPM10-41.3	120	M10	125.5	30	4.8	78	41.3	32.5	15.5	Sealed	38-165CU
CH8836-000	CG120LPM12-40	120	M12	133	30	4.8	78	40	40	15.5	Sealed	38-165CU
195140-000	CG120LPM12-50	120	M12	170	30	4.8	100	50	45	15.5	Unsealed	38-165CU
CZ3744-000	CG120LPM12-50	120	M12	155	30	4.8	100	50	40	15.5	Sealed	38-165CU
893870-000	CG150LPM10-31.75	150	M10	124	33.5	5.4	78	31.75	32.5	16.3	Unsealed	38-183CU
176508-000	CG185LPM12-30	185	M12	116	33	5.7	65	30	33	18.4	Sealed	38-200CU
289004-000	CG185LPM12-45-50	185	M12	168	36.5	5.2	100	50	50	18.4	Sealed	38-200CU
CZ9903-000	CG185LPM12-50	185	M12	168	36.5	5.2	100	50	50	18.4	Sealed	38-200CU
359102-000	CG240LPM10-31.75	240	M10	141	40.5	7	78	31.75	44.5	21.2	Unsealed	38-231CU
CH7199-000	CG240LPM12-32	240	M12	185	41.6	7.1	75	32	90	21.2	Sealed	38-231CU
CZ6536-000	CG240LPM12-50	240	M12	161	41.6	7.1	90	50	50	21.2	Sealed	38-231CU
CL3253-000	CG300LPM12-50	300	M12	222	46	7.9	110	50	90	23.8	Sealed	40-260CU
CJ9486-000	CG630LPM12-50	630	M12	225	63.5	11.5	100	50	90	33.5	Sealed	40-370CU
CY0800-000	CG630LPM16-50	630	M16	225	63.5	11.5	100	50	90	33.5	Sealed	40-370CU
CL5780-000	CG800LPM12-50	800	M12	275	75	14	127	50	105	39.3	Sealed	40-432CU

THIS DRAWING IS A CONTROLLED DOCUMENT.

DIMENSIONS: mm	TOLERANCES UNLESS OTHERWISE SPECIFIED:
	0 PLC ±
	1 PLC ±
	2 PLC ±
	3 PLC ±
	4 PLC ±
	ANGLES ±
MATERIAL	FINISH
-	-

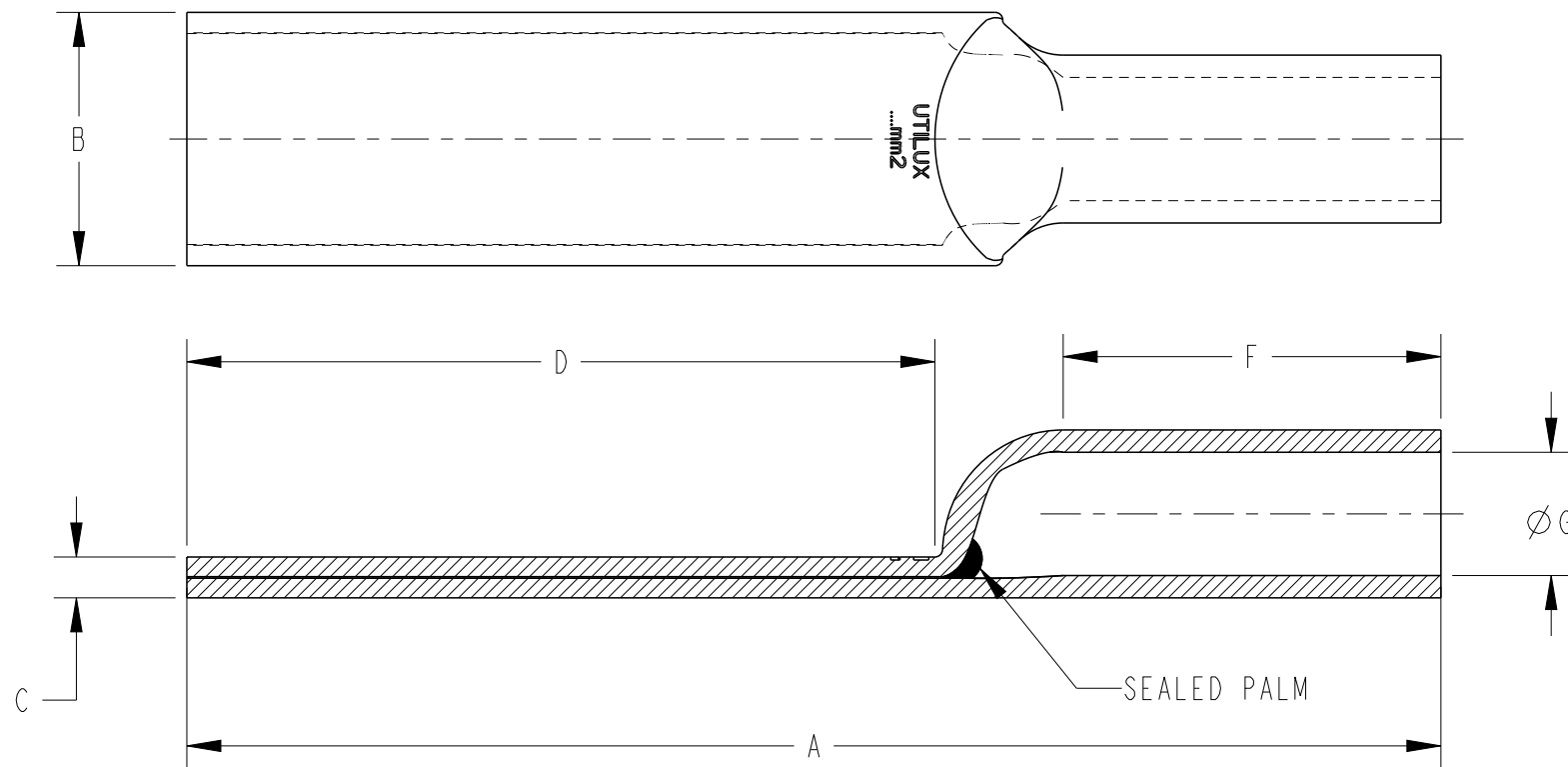
DWN	A. SAMAL	01DEC2020
CHK	S. CHAD	01DEC2020
APVD	M. FRATER	01DEC2020
PRODUCT SPEC	-	-
APPLICATION SPEC	-	-
WEIGHT	-	-
CUSTOMER DRAWING		



NAME LONG PALM COPPER CRIMP LUGS

SIZE	CAGE CODE	DRAWING NO	RESTRICTED TO
A3	00779	©-E00001139	-
SCALE	SHEET	OF	REV
NTS	1	3	A

P	LTR	DESCRIPTION	DATE	DWN	APVD
-		SEE SHEET 1	-	-	-



TCPN	CATALOGUE NUMBER	CONDUCTOR AREA (mm <sup>2</sup> )	DIMENSIONS (mm)						CRIMPING DIE
			A	B	C	D	F	G	
C31668-000	CG16LPMB	16	114	13.5	1.9	70	40	5.5	38-63CU
D74122-000	CG25LPMB	25	117	17	1.9	70	40	7.1	38-77CU
880202-000	CG35LPMB	35	145	18	2.7	90	45	8.4	38-92CU
725550-000	CG50LPMB	50	159	21	2.8	100	50	9.5	38-104CU
699464-000	CG70LPMB	70	161	21	3.2	100	50	11	38-115CU
591698-000	CG95LPMB	95	161	25	4	100	50	13.4	38-142CU
732608-000	CG150LPMB	150	166	34	5.4	100	50	16.3	38-183CU
113748-000	CG185LPMB	185	173	37	5.2	100	55	18.4	38-200CU
371002-000	CG240LPMB	240	221	42	7.1	110	90	21.2	38-231CU
905376-000	CG300LPMB	300	222	46	7.9	110	90	23.8	38-260CU
178148-000	CG400LPMB	400	227	50	7.9	110	90	26.9	40-281CU
191450-000	CG500LPMB	500	233	55	8.2	110	90	30	40-310CU
042902-000	CG630LPMB	630	225	64	11.5	100	90	33.5	40-370CU

THIS DRAWING IS A CONTROLLED DOCUMENT.

DIMENSIONS: mm	TOLERANCES UNLESS OTHERWISE SPECIFIED:	DWN A. SAMAL 01DEC2020
	0 PLC ±	CHK S. CHAD 01DEC2020
	1 PLC ±	APVD M. FRATER 01DEC2020
	2 PLC ±	PRODUCT SPEC
	3 PLC ±	APPLICATION SPEC
	4 PLC ±	WEIGHT
	ANGLES ±	
MATERIAL	FINISH	

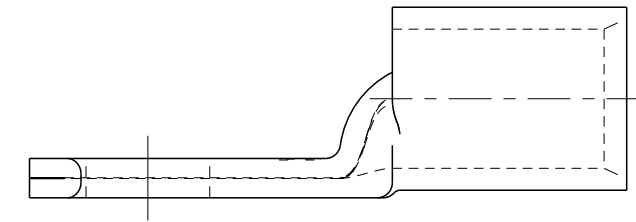
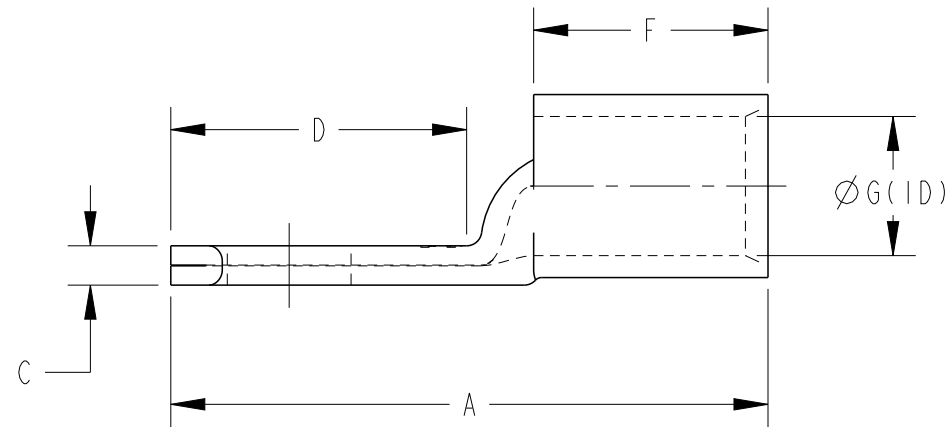
**TE** TE Connectivity

NAME: LONG PALM COPPER CRIMP LUGS

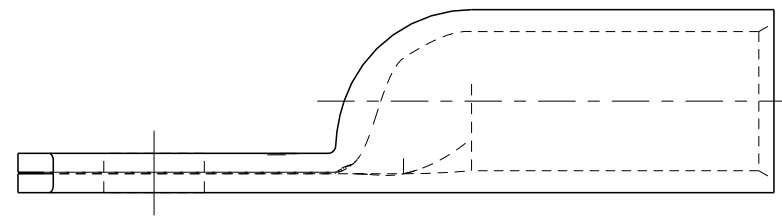
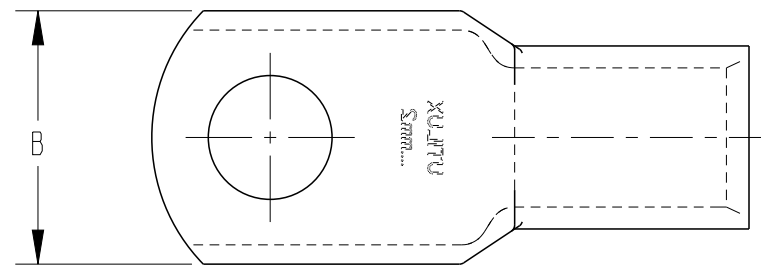
SIZE	CAGE CODE	DRAWING NO	RESTRICTED TO
A3	00779	CG-E00001139	-

CUSTOMER DRAWING SCALE NTS SHEET 2 OF 3 REV A

P	LTR	DESCRIPTION	DATE	DWN	APVD
-	-	SEE SHEET 1	-	-	-




PROFILE WITH WINDOW FOR 185MM<sup>2</sup> AND BELOW



PROFILE WITHOUT WINDOW FOR 240MM<sup>2</sup> AND ABOVE

TCPN	CATALOGUE NUMBER	CONDUCTOR AREA (mm <sup>2</sup> )	CONDUCTOR STRANDING	STUD SIZE	DIMENSIONS (mm)						CRIMPING DIE
					A	B	C	D	F	G	
405266-000	CG185M12X12	185	37/2.52	M12	100	36.5	5.2	42	35	18.4	38-200CU
CA4963-000	CG240M12X28	240	61/2.25	M12	101.5	41.6	7.1	40	38	21.2	38-231CU

THIS DRAWING IS A CONTROLLED DOCUMENT.		DWN A.SAMAL 01DEC2020	 TE Connectivity	
DIMENSIONS: mm		CHK S.CHAD 01DEC2020		
TOLERANCES UNLESS OTHERWISE SPECIFIED:		APVD M.FRATER 01DEC2020	NAME LONG PALM COPPER CRIMP LUGS	
0 PLC ± 1 PLC ± 2 PLC ± 3 PLC ± 4 PLC ± ANGLES ±		PRODUCT SPEC -	RESTRICTED TO -	
MATERIAL -		FINISH -	APPLICATION SPEC -	SIZE A3
		WEIGHT -	CAGE CODE 00779	DRAWING NO E00001139
		CUSTOMER DRAWING	SCALE NTS	SHEET 3 OF 3
				REV A