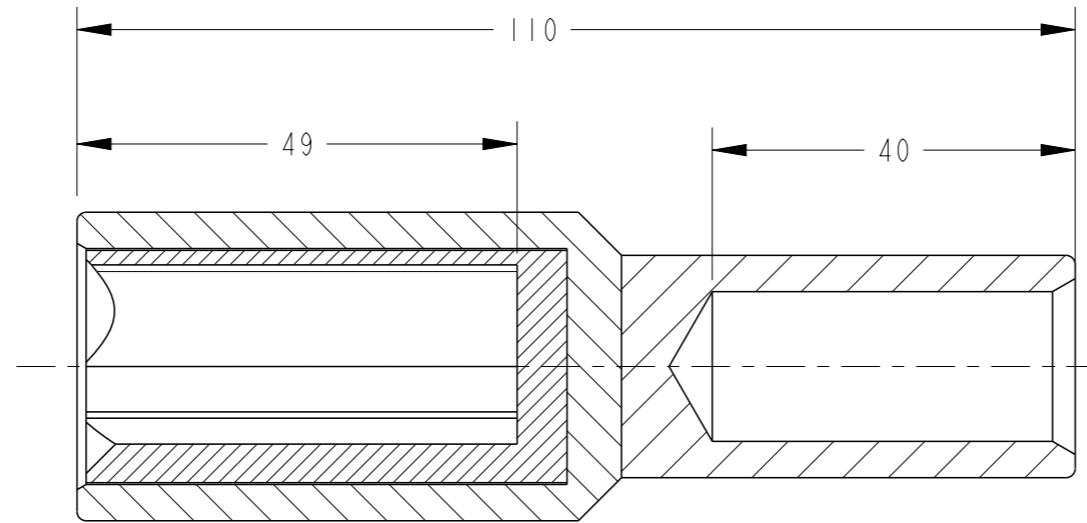


REVISIONS

P	LTR	DESCRIPTION	DATE	DWN	APVD
	A	INITIAL RELEASE	27NOV2020	RS	MF



LINK PRODUCT SELECTION INFORMATION			
TCPN	CATALOGUE NUMBER	ALUMINIUM	COPPER
		CONDUCTOR AREA (mm ²)	CONDUCTOR AREA (mm ²)
004112-000	BKS4HR240-150	240	150

THIS DRAWING IS A CONTROLLED DOCUMENT.		DWN RAVI.S 27NOV2020														
DIMENSIONS: mm		CHK S.CHAD 27NOV2020														
TOLERANCES UNLESS OTHERWISE SPECIFIED:		APVD M.FRATER 27NOV2020	NAME ALUMINIUM/COPPER LINK													
<table border="0"> <tr> <td>0 PLC</td> <td>±-</td> </tr> <tr> <td>1 PLC</td> <td>±-</td> </tr> <tr> <td>2 PLC</td> <td>±-</td> </tr> <tr> <td>3 PLC</td> <td>±-</td> </tr> <tr> <td>4 PLC</td> <td>±-</td> </tr> <tr> <td>ANGLES</td> <td>±-</td> </tr> </table>		0 PLC	±-	1 PLC	±-	2 PLC	±-	3 PLC	±-	4 PLC	±-	ANGLES	±-	PRODUCT SPEC -	RESTRICTED TO -	
0 PLC	±-															
1 PLC	±-															
2 PLC	±-															
3 PLC	±-															
4 PLC	±-															
ANGLES	±-															
MATERIAL -		FINISH -	APPLICATION SPEC -	SCALE NTS												
		WEIGHT -	SIZE A3	CAGE CODE 00779												
		CUSTOMER DRAWING	DRAWING NO G-E00001133	REV A												