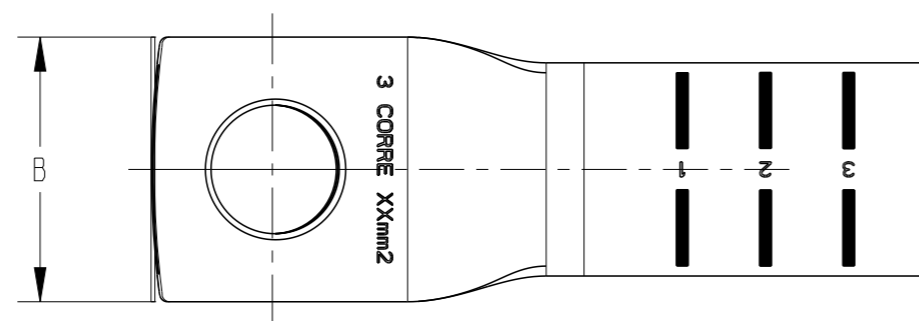
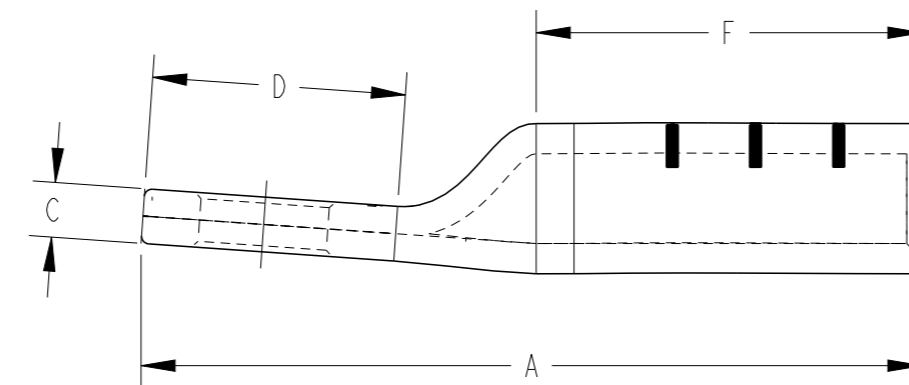


E00001126


REVISIONS

P	LTR	DESCRIPTION	DATE	DWN	APVD
	A	INITIAL RELEASE	06OCT2020	BJ	MF



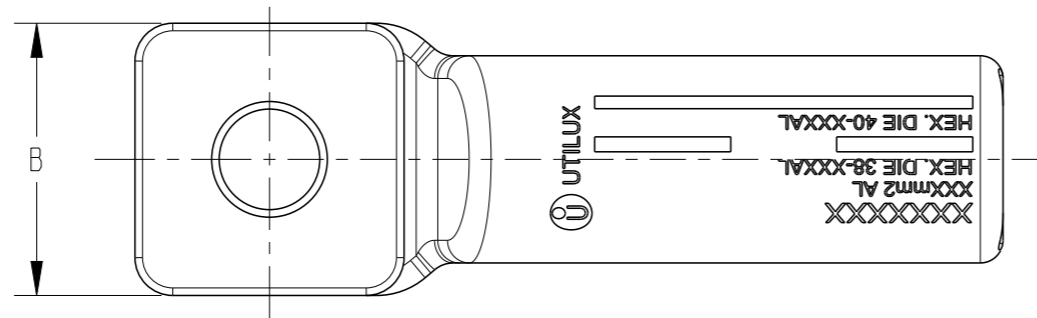
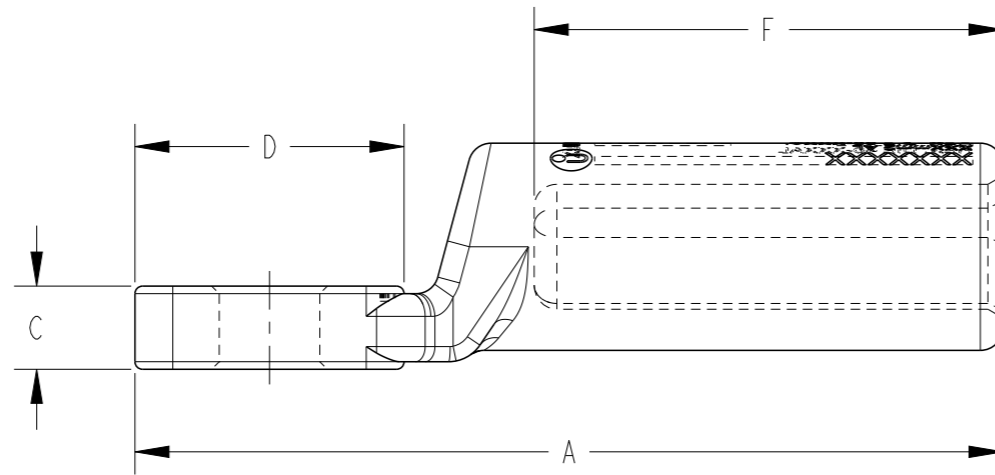
3 CORE SECTOR PRODUCT SELECTION INFORMATION

TCPN	CATALOGUE NUMBER	CONDUCTOR AREA (mm ²)	STUD SIZE	DIMENSIONS (mm)					TOOL NO.	NEST	DIES INDENT
				A	B	C	D	F			
094480-000	AGS31120M12	120	M12	100	31	6.9	33.5	51	38A	12	16
227878-000	AGS31150M12	150	M12	103	35	7.3	33.5	51	38A	12	17
132752-000	AGS31185M12	185	M12	115	38	7.3	37.3	59	38A	12	18
663378-000	AGS31240M12	240	M12	123	42	8.7	37.3	63	38A	12	19


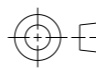
THIS DRAWING IS A CONTROLLED DOCUMENT.		DWN B. JOEL 06OCT2020	 TE Connectivity														
DIMENSIONS: mm		CHK S. CHAD 06OCT2020															
TOLERANCES UNLESS OTHERWISE SPECIFIED:		APVD M. FRATER 06OCT2020	NAME ALUMINIUM LUG														
<table border="0"> <tr><td>0 PLC</td><td>±-</td></tr> <tr><td>1 PLC</td><td>±-</td></tr> <tr><td>2 PLC</td><td>±-</td></tr> <tr><td>3 PLC</td><td>±-</td></tr> <tr><td>4 PLC</td><td>±-</td></tr> <tr><td>ANGLES</td><td>±-</td></tr> </table>		0 PLC	±-	1 PLC	±-	2 PLC	±-	3 PLC	±-	4 PLC	±-	ANGLES	±-	PRODUCT SPEC -	RESTRICTED TO -		
0 PLC	±-																
1 PLC	±-																
2 PLC	±-																
3 PLC	±-																
4 PLC	±-																
ANGLES	±-																
MATERIAL -		FINISH -	APPLICATION SPEC -	WEIGHT -	SCALE NTS												
CUSTOMER DRAWING			SIZE A3	CAGE CODE 00779	DRAWING NO E00001126												
			SHEET 1	OF 4	REV A												

REVISIONS

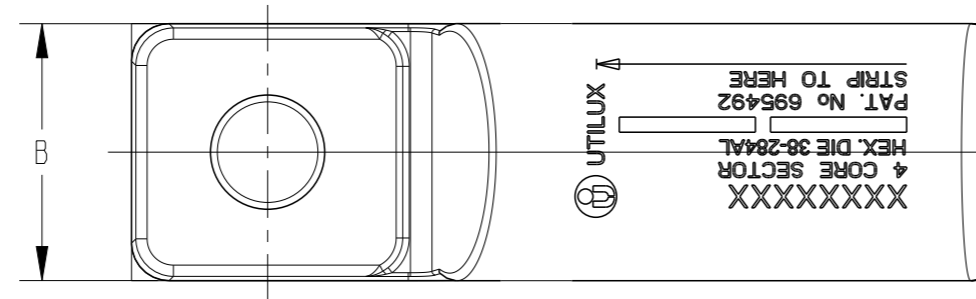
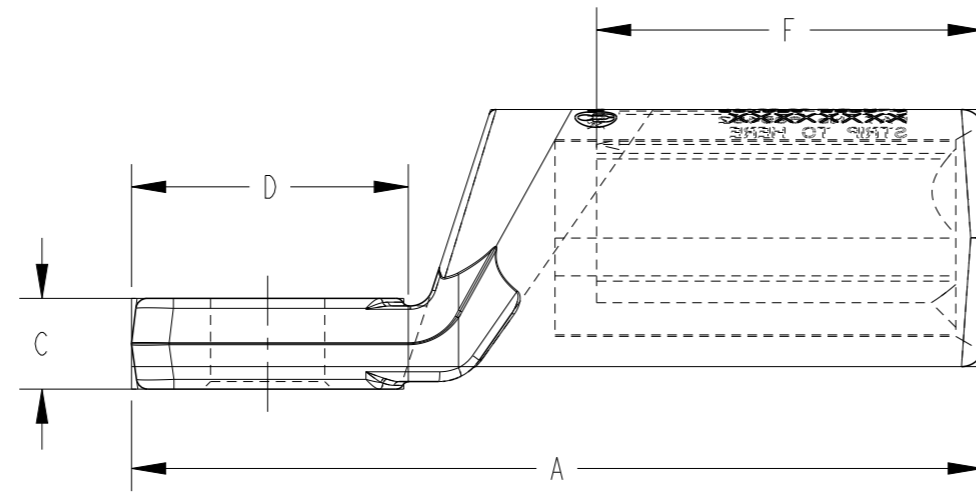
P	LTR	DESCRIPTION	DATE	DWN	APVD
	-	SEE SHEET 1	-	-	-



ROUND BARREL SECTOR PRODUCT SELECTION INFORMATION										
TCPN	CATALOGUE NUMBER	CONDUCTOR AREA (mm ²)	STUD SIZE	DIMENSIONS (mm)					AL. HEX #38 TOOL	AL. DIE #40 TOOL
				A	B	C	D	F		
541078-000	AGS4H185M12	185	M12	115	36	11	36	62	38-220AL	40-220AL
047590-000	AGS4H240M12	240	M12	133	36	12	36	62	38-284AL	40-283-AL

THIS DRAWING IS A CONTROLLED DOCUMENT.		DWN B. JOEL 06OCT2020	 TE Connectivity		
DIMENSIONS: mm		CHK S. CHAD 06OCT2020			
		APVD M. FRATER 06OCT2020	NAME ALUMINIUM LUG		
TOLERANCES UNLESS OTHERWISE SPECIFIED:		PRODUCT SPEC -	APPLICATION SPEC -		
0 PLC ±- 1 PLC ±- 2 PLC ±- 3 PLC ±- 4 PLC ±- ANGLES ±-		WEIGHT -	SIZE A3	CAGE CODE 00779	DRAWING NO E00001126
MATERIAL -		FINISH -	RESTRICTED TO -		
CUSTOMER DRAWING			SCALE NTS	SHEET 2 OF 4	REV A

P	LTR	DESCRIPTION	DATE	DWN	APVD
-	-	SEE SHEET 1	-	-	-

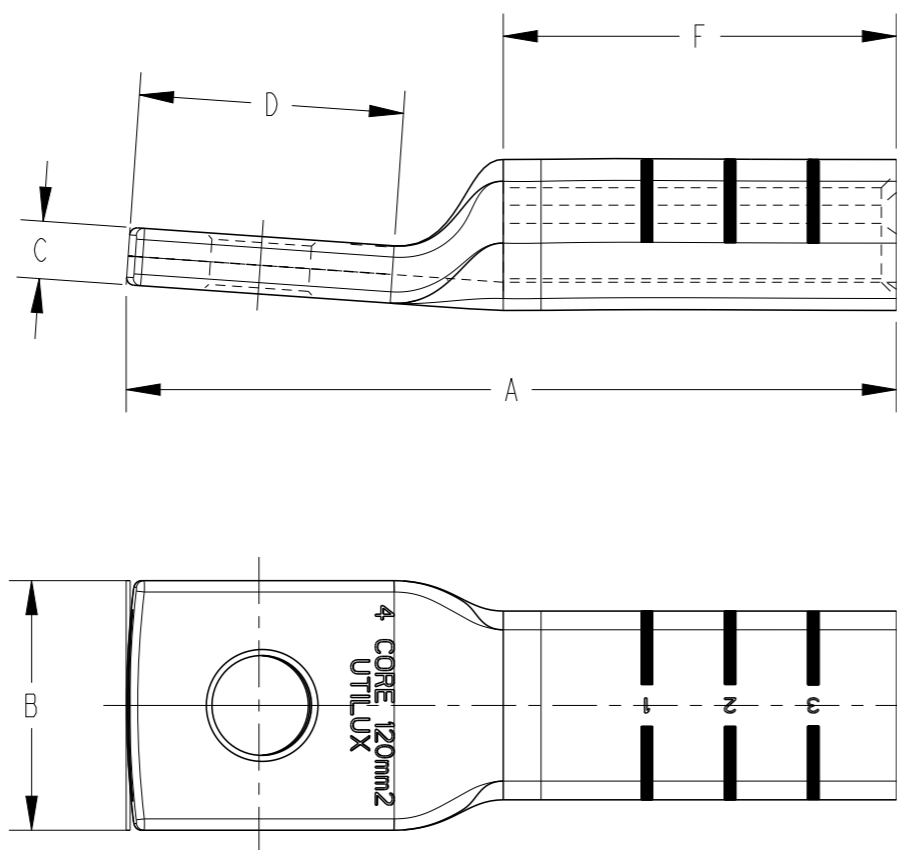


LUG PRODUCT SELECTION INFORMATION									
TCPN	CATALOGUE NUMBER	CONDUCTOR AREA (mm ²)	STUD SIZE	DIMENSIONS (mm)					CRIMPING DIE
				A	B	C	D	F	
307364-000	AGS4HR240M12	240	M12	112.5	34	12	36	56.5	38-284AL

THIS DRAWING IS A CONTROLLED DOCUMENT.		DWN B. JOEL 06OCT2020				
DIMENSIONS: mm		CHK S. CHAD 06OCT2020				
TOLERANCES UNLESS OTHERWISE SPECIFIED:		APVD M. FRATER 06OCT2020	NAME ALUMINIUM LUG			
		PRODUCT SPEC -	RESTRICTED TO -			
MATERIAL -		FINISH -	APPLICATION SPEC -	SIZE A3	CAGE CODE 00779	DRAWING NO E00001126
CUSTOMER DRAWING			WEIGHT -	SCALE NTS	SHEET 3 OF 4	REV A


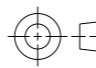
REVISIONS

P	LTR	DESCRIPTION	DATE	DWN	APVD
-		SEE SHEET 1	-	-	-



4 CORE SECTOR PRODUCT SELECTION INFORMATION

TCPN	CATALOGUE NUMBER	CONDUCTOR AREA (mm ²)	STUD SIZE	DIMENSIONS (mm)					TOOL NO.	NEST	DIES INDENT
				A	B	C	D	F			
424094-000	AGS41120M12	120	M12	101.6	33	7.6	35	52	38A	14	16

THIS DRAWING IS A CONTROLLED DOCUMENT.		DWN B. JOEL 06OCT2020	 TE Connectivity			
DIMENSIONS: mm		CHK S. CHAD 06OCT2020				
TOLERANCES UNLESS OTHERWISE SPECIFIED:		APVD M. FRATER 06OCT2020	NAME ALUMINIUM LUG			
		PRODUCT SPEC -	RESTRICTED TO -			
MATERIAL -		FINISH -	APPLICATION SPEC -	SIZE A3	CAGE CODE 00779	DRAWING NO E00001126
CUSTOMER DRAWING			WEIGHT -	SCALE NTS	SHEET 4 OF 4	REV A