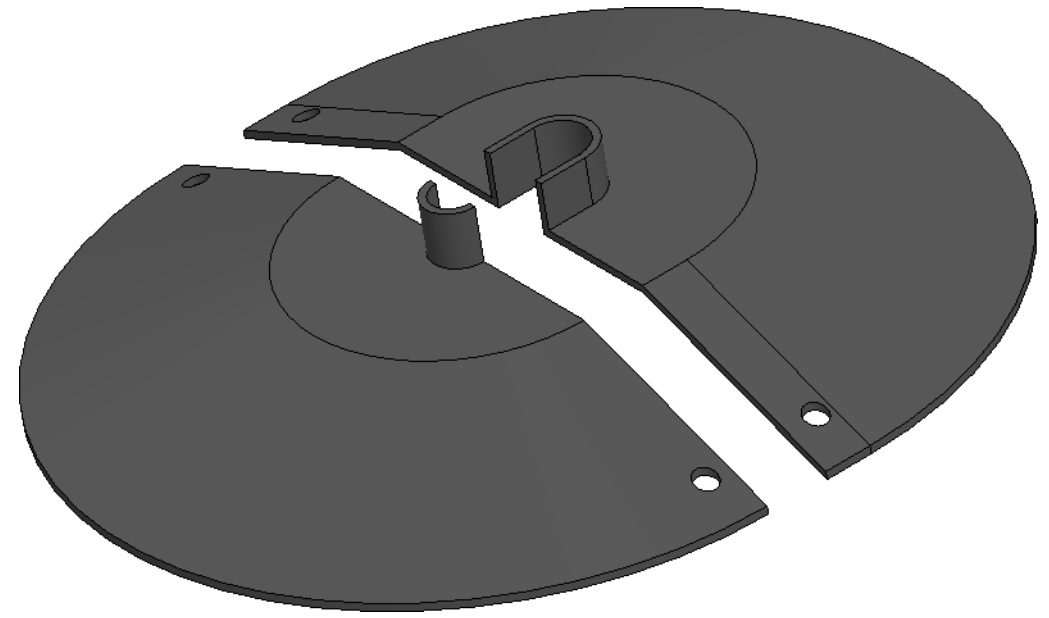
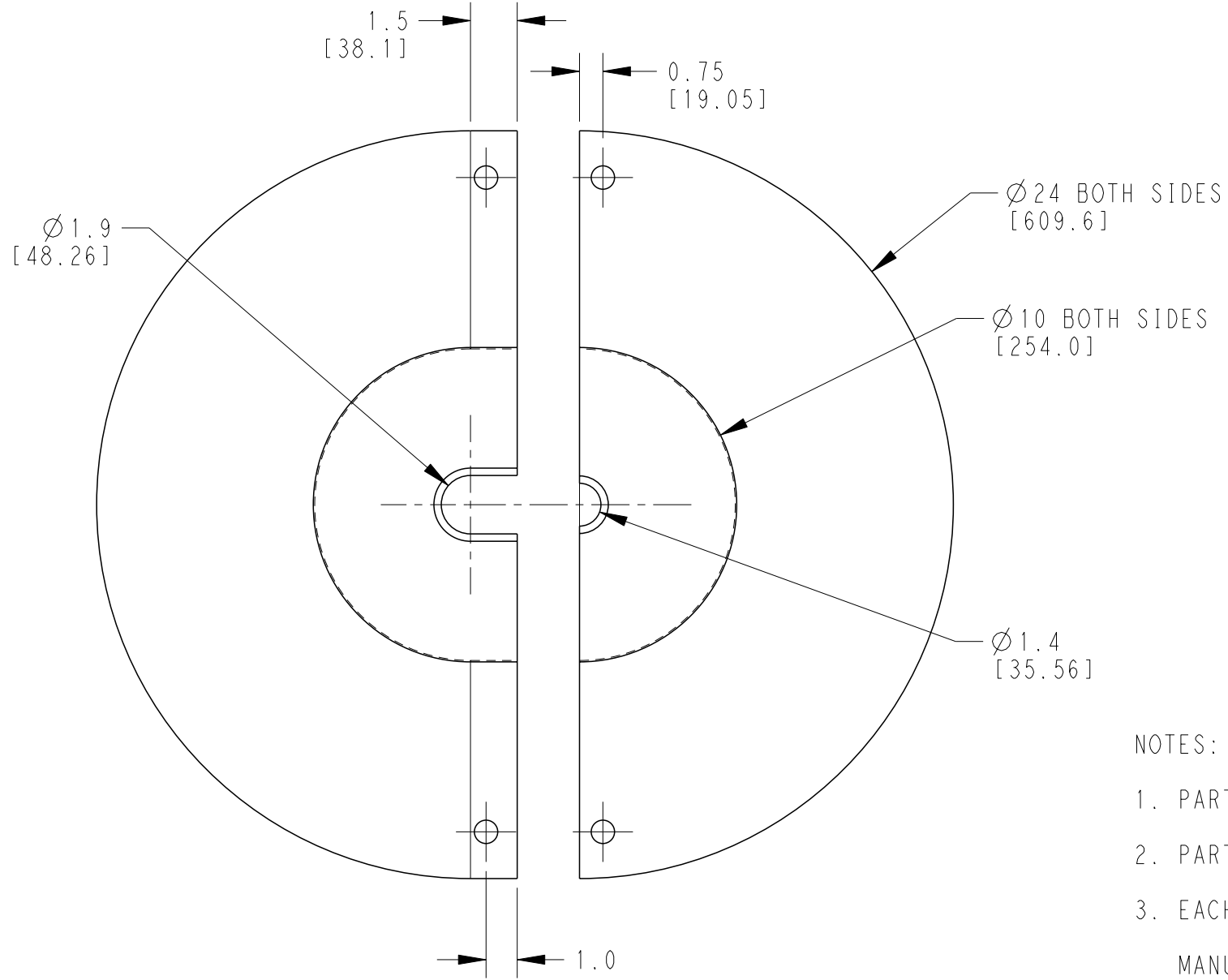


REVISIONS

| P | LTR | DESCRIPTION            | DATE      | DWN | APVD |
|---|-----|------------------------|-----------|-----|------|
|   | A   | INITIAL RELEASE        | 06JUN2020 | AS  | LH   |
|   | A1  | REV. PER ECR-23-179214 | 27JUN2023 | HM  | LH   |
|   |     |                        |           |     |      |
|   |     |                        |           |     |      |

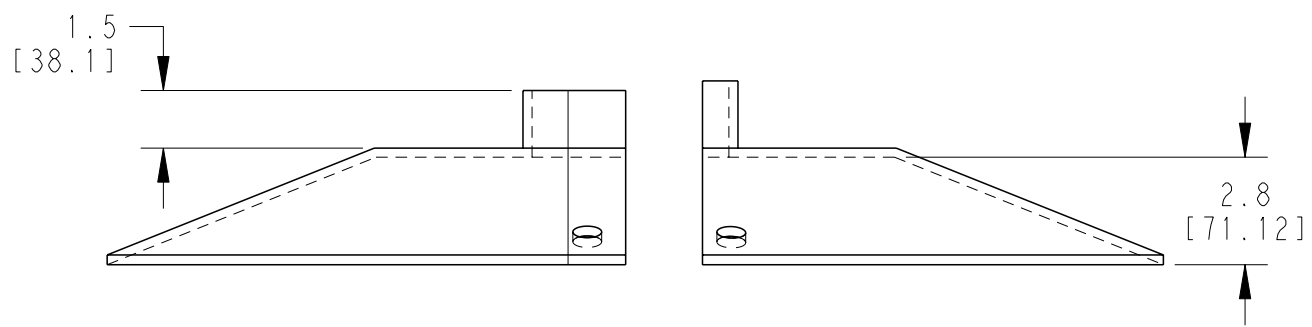


NOTES:

1. PARTS SHALL BE KITTED 3 PIECES PER BOX.
2. PARTS SHALL BE KITTED WITH PII-56534.
3. EACH BOX SHALL BE LABELLED WITH DESCRIPTION, LOT NUMBER, PART NUMBER, MANUFACTURING DATE AND QUANTITY

KIT CONTENTS:

- 934765-000 S1251-50-300-4 6 pc
- CM9066-000 WASHER-5/8-NUN01 6 pc
- CM9067-000 TF-5/8X1.50-HHDNUN24 6 pc
- CM9068-000 NUTZ-5/8-NUN01 6 pc



| TCPN       | DESCRIPTION          |
|------------|----------------------|
| CS2370-000 | RRGS-35/600-FT(B3)   |
| CS2369-000 | RRGS-G-35/600-FT(B3) |

|   |  |                                |  |                    |                         |
|---|--|--------------------------------|--|--------------------|-------------------------|
| THIS DRAWING IS A CONTROLLED DOCUMENT.                          |  | DWN<br>A. SABARAD<br>06JUN2020 |  |                    |                         |
| DIMENSIONS:<br>INCH[MM]   |  | CHK<br>S. LIGHT<br>06JUN2020   |  |                    |                         |
|   |  | APVD<br>L. HILLER<br>06JUN2020 |  |                    |                         |
| TOLERANCES UNLESS OTHERWISE SPECIFIED:                          |  | PRODUCT SPEC                   | NAME<br>RRGS-35/600-FT(B3)<br>RRGS-G-35/600-FT(B3) |                    |                         |
| 0 PLC ±<br>1 PLC ±<br>2 PLC ±<br>3 PLC ±<br>4 PLC ±<br>ANGLES ± |  | APPLICATION SPEC               | SIZE<br>A3   | CAGE CODE<br>00779 | DRAWING NO<br>E00000905 |
| MATERIAL  |  | WEIGHT                         | RESTRICTED TO<br>-                                 |                    |                         |
| FINISH  |  | CUSTOMER DRAWING               | SCALE<br>NTS                                       | SHEET<br>1 OF 1    | REV<br>A1               |

Printed on 27 Jun 2023 16:07 (India Standard Time) from IE397707