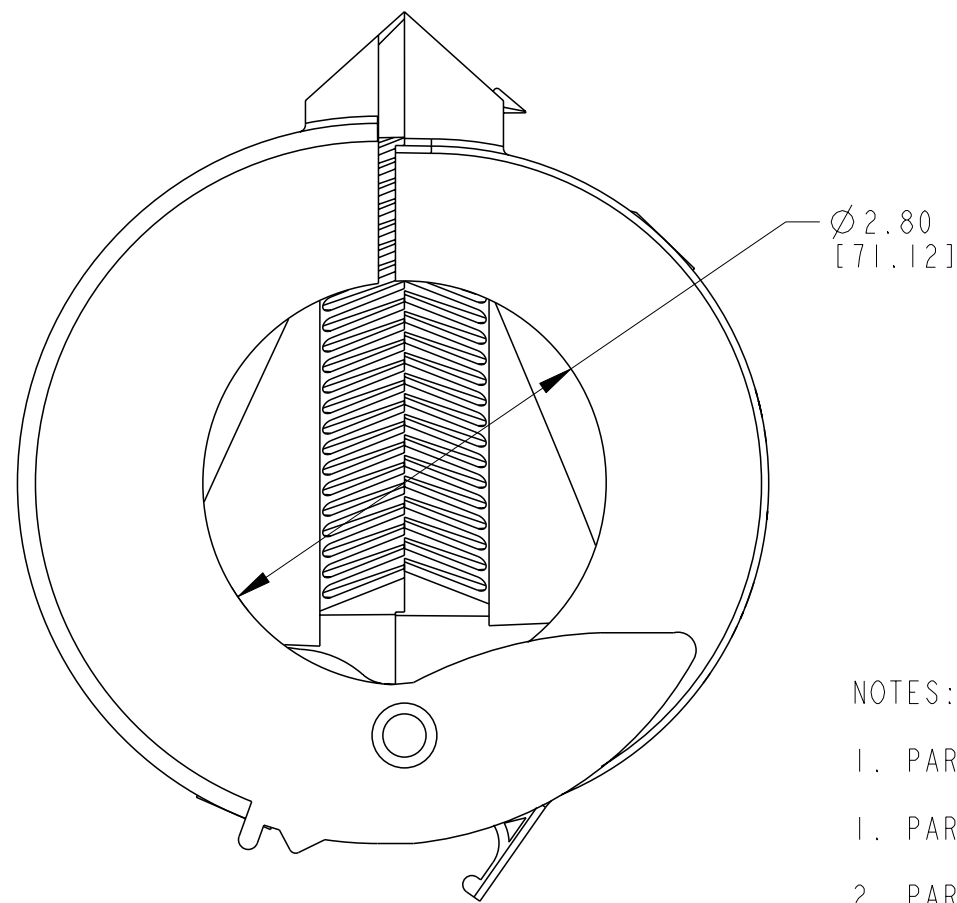
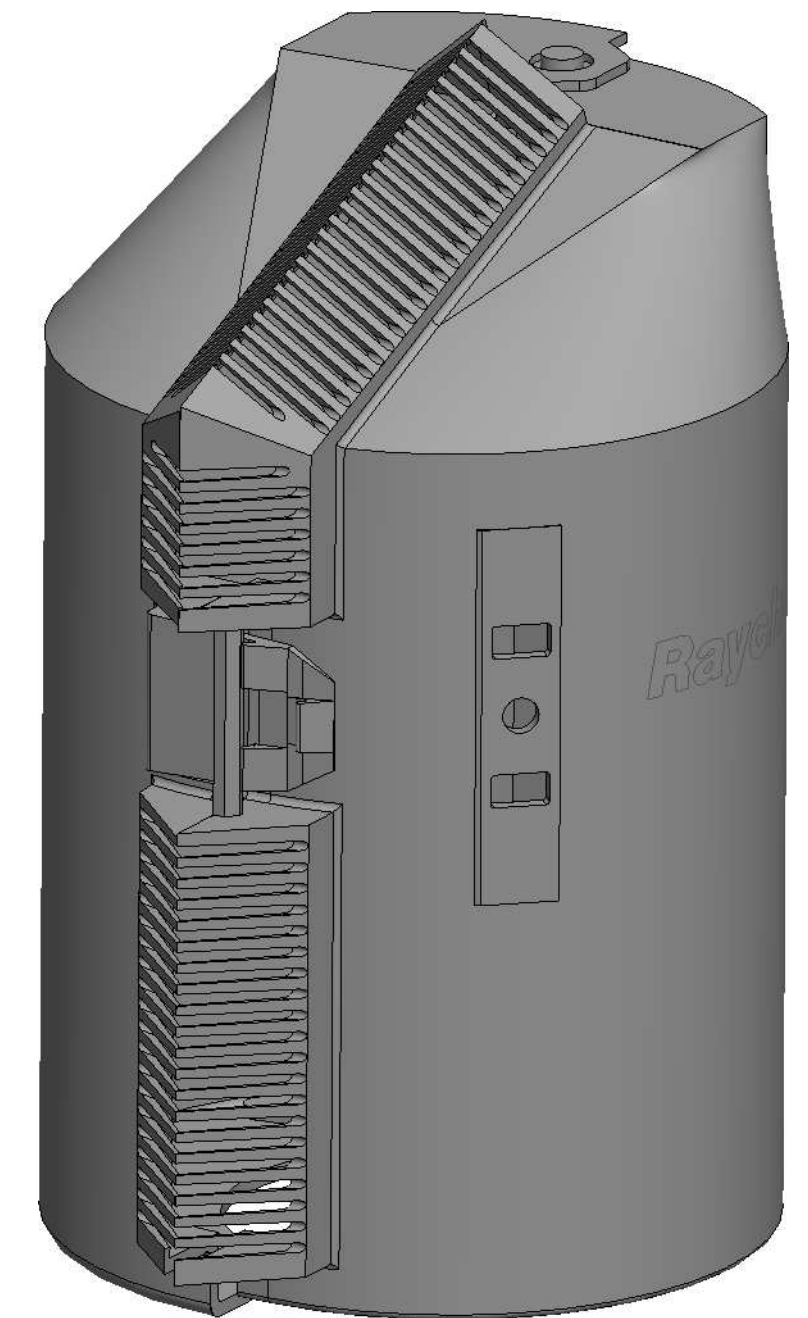
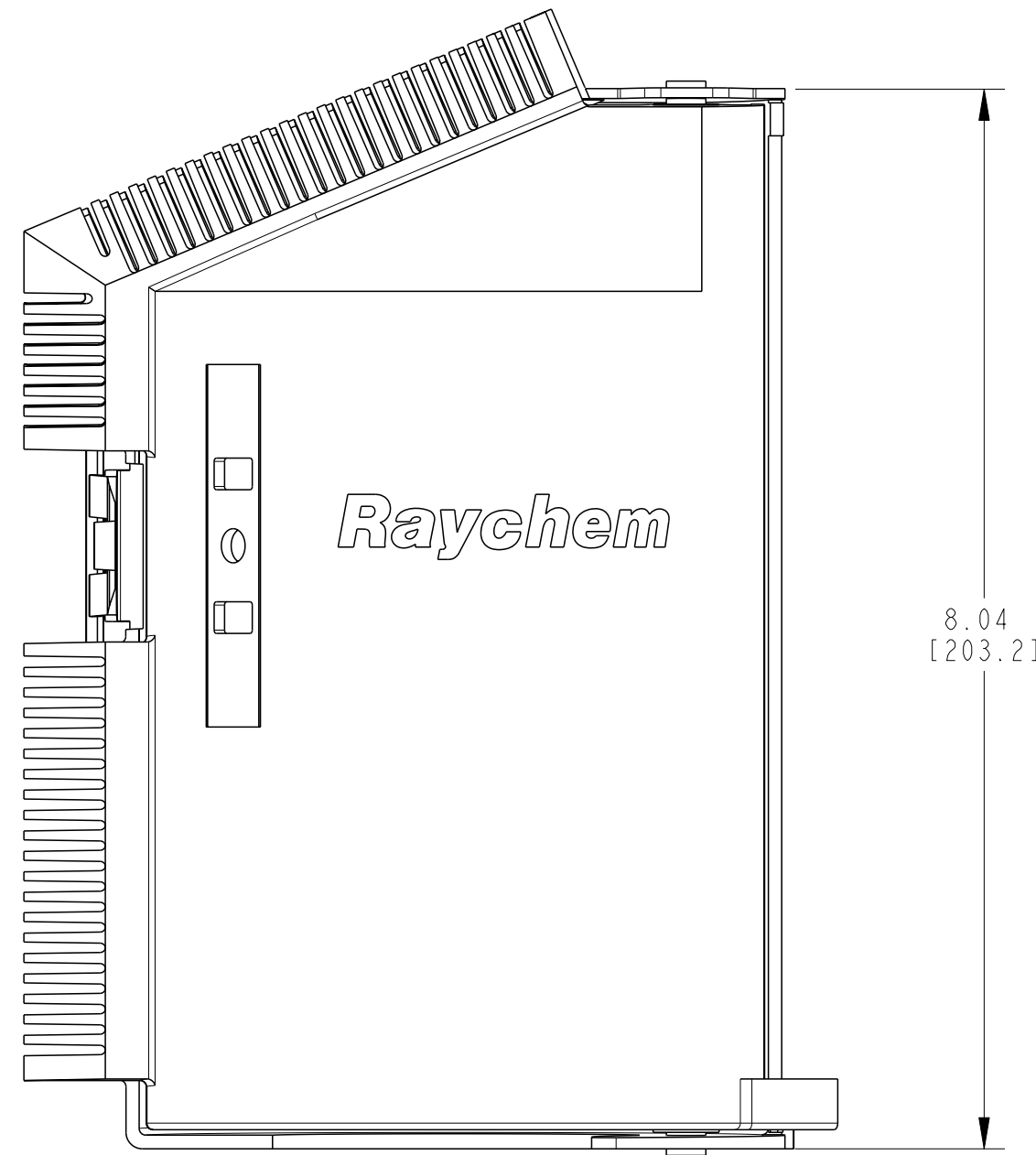
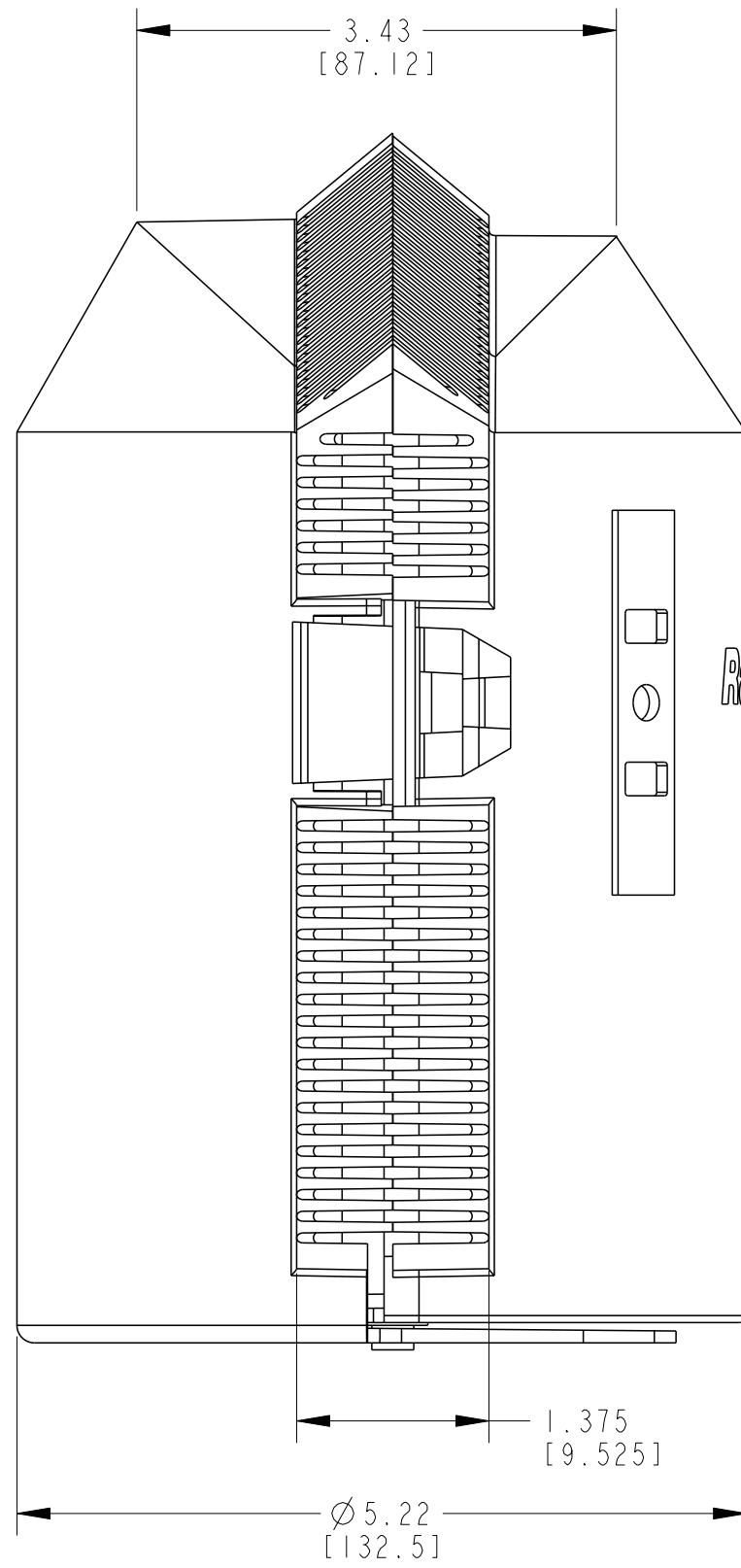


REVISIONS					
P	LTR	DESCRIPTION	DATE	DWN	APVD
A		INITIAL RELEASE	08JUN2020	AS	LH
B		TYPO CORRECTION	24NOV2022	HM	LH
C		DIMENSION Ø2.80[71.12] IS ADDED	16DEC2022	HM	LH



NOTES:

- 1. PARTS SHALL BE KITTED 12 PIECES PER BOX.
- 1. PARTS SHALL BE KITTED WITH 127252-000 BOLT-1/4-20X1/2-BLK-UV 30 PIECES.
- 2. PARTS SHALL BE KITTED WITH 218852-000 NUT-1/4-20-HEX-BLK-UVNYL 30 PIECES.
- 3. PARTS SHALL BE KITTED WITH C53932-000 BCAC-GA-01-A 12 PC, P11-55169 1 PIECE
- 4. EACH BOX SHALL BE LABELLED WITH DESCRIPTION LOT NUMBER PART NUMBER MANUFACTURING DATE AND QUANTITY

TCPN	DESCRIPTION
901284-000	BCAC-5D/8-01(B12)
A90301-000	BCAC-G-5D/8-01(B12)

THIS DRAWING IS A CONTROLLED DOCUMENT.		DWN A. SABARAD 08JUN2020																
DIMENSIONS: INCH(MM)		CHK S. LIGHT 08JUN2020																
TOLERANCES UNLESS OTHERWISE SPECIFIED:		APVD L. HILLER 08JUN2020	NAME BCAC-5D/8-01															
<table border="1"> <tr><td>0 PLC</td><td>±</td></tr> <tr><td>1 PLC</td><td>±</td></tr> <tr><td>2 PLC</td><td>±</td></tr> <tr><td>3 PLC</td><td>±</td></tr> <tr><td>4 PLC</td><td>±</td></tr> <tr><td>ANGLES</td><td>±</td></tr> <tr><td>FINISH</td><td>±</td></tr> </table>		0 PLC	±	1 PLC	±	2 PLC	±	3 PLC	±	4 PLC	±	ANGLES	±	FINISH	±	PRODUCT SPEC	SIZE A2	
0 PLC	±																	
1 PLC	±																	
2 PLC	±																	
3 PLC	±																	
4 PLC	±																	
ANGLES	±																	
FINISH	±																	
MATERIAL		APPLICATION SPEC	CAGE CODE 00779	DRAWING NO E00000904														
		WEIGHT	RESTRICTED TO -															
		CUSTOMER DRAWING	SCALE NTS	SHEET OF REV C														

Printed on 16 Dec 2022 08:39 (India Standard Time) from TE397707