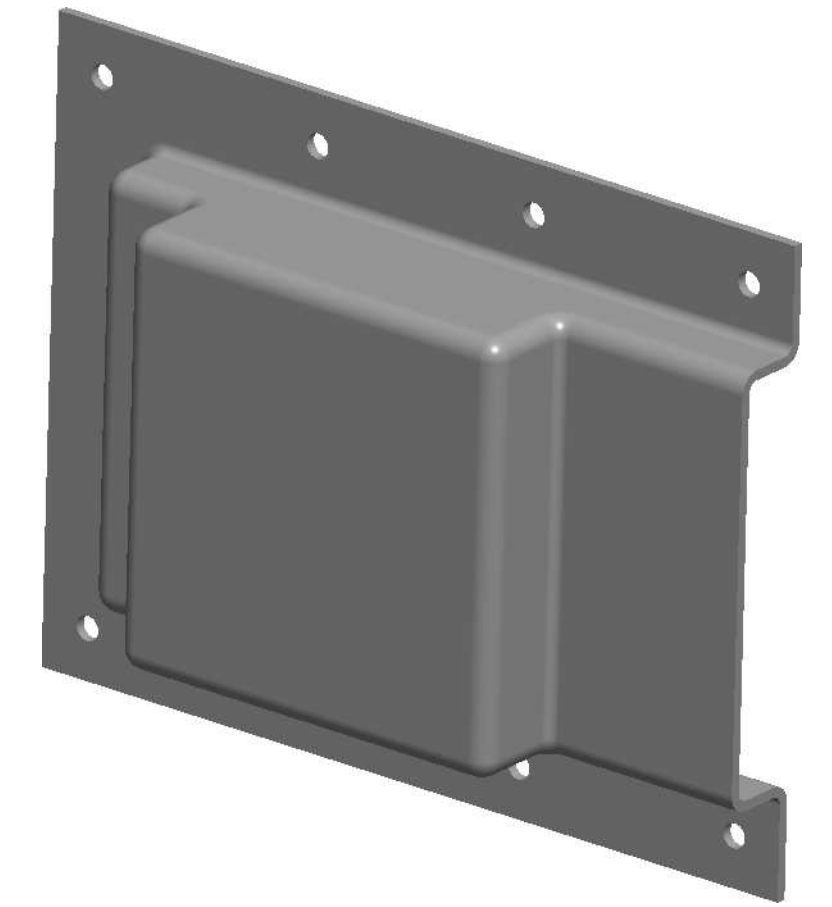
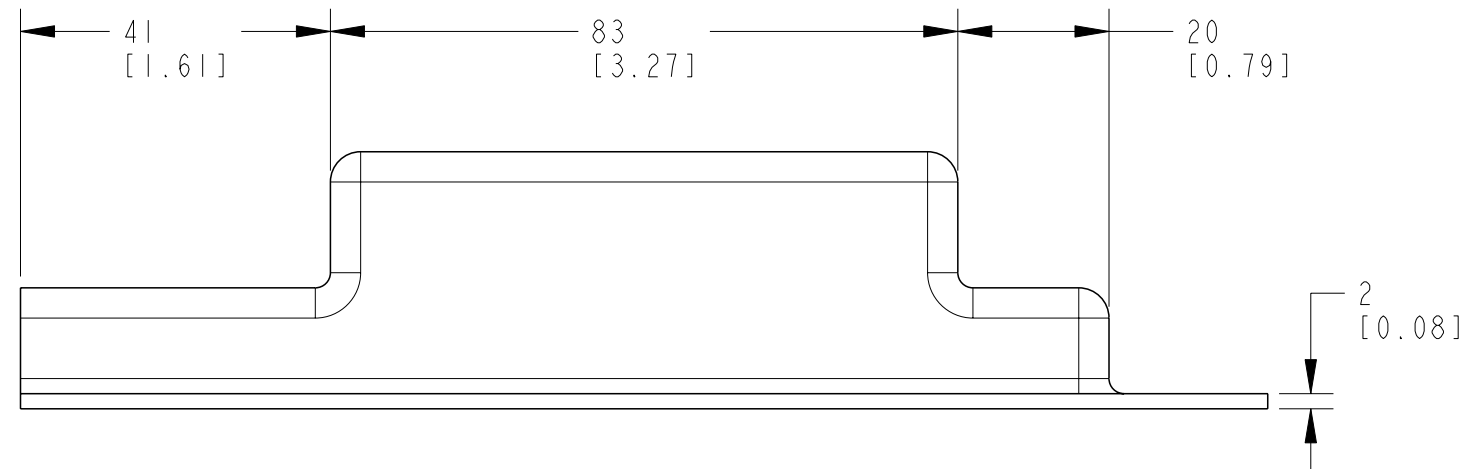
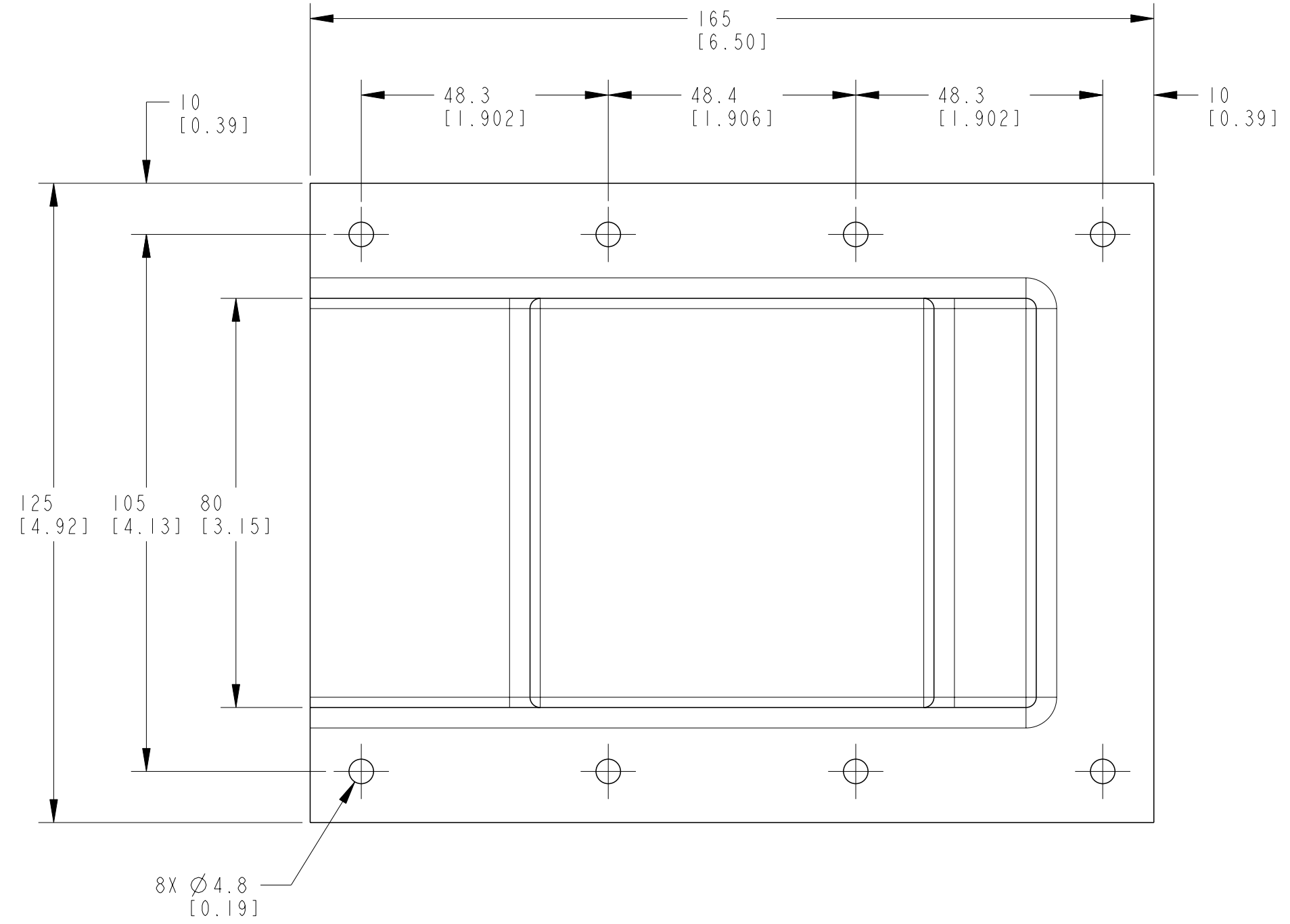
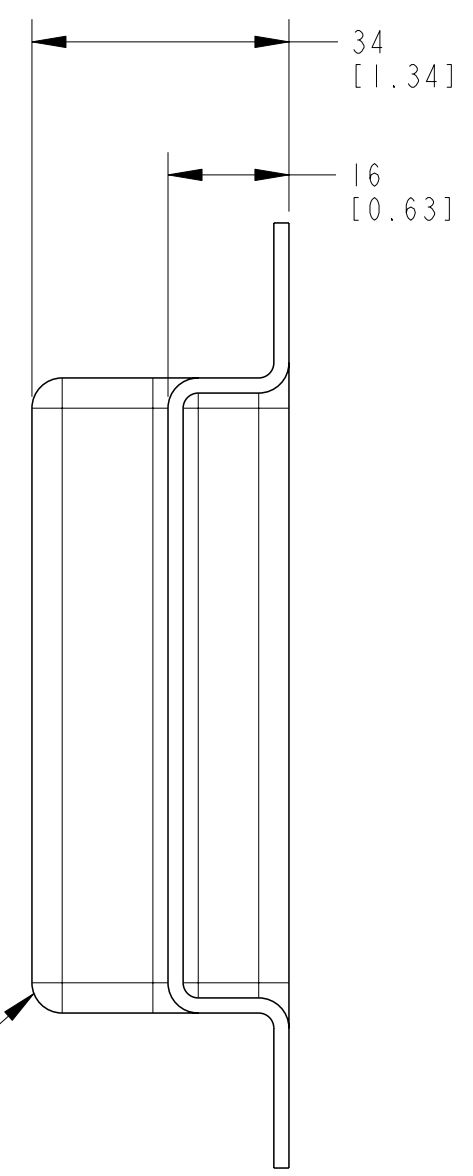


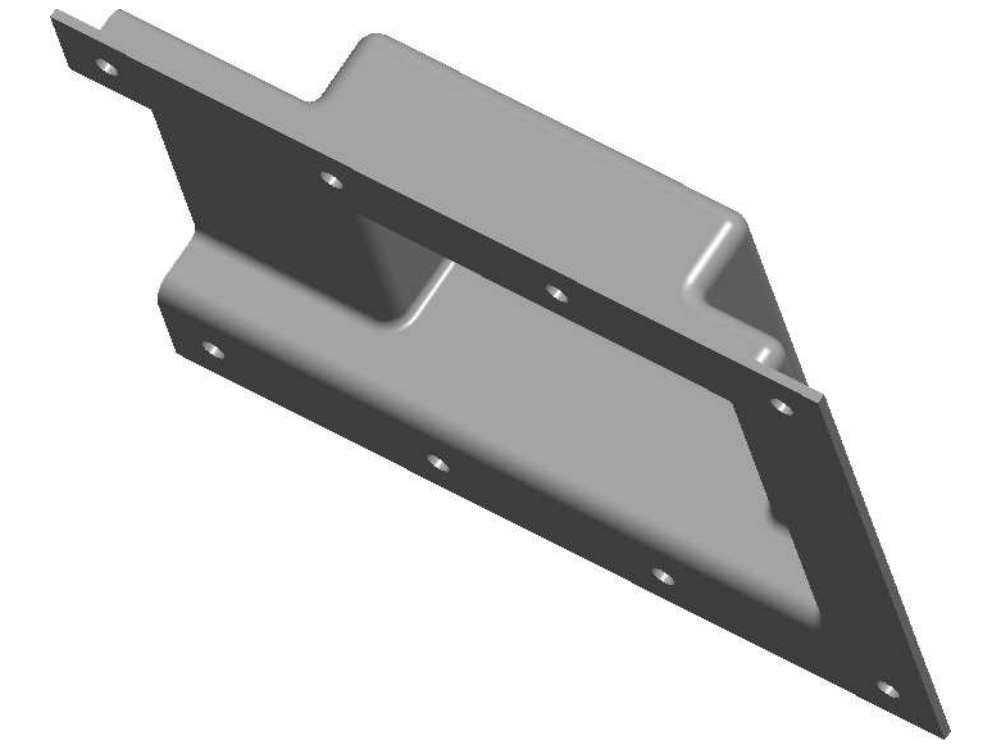
REVISIONS					
P	LTR	DESCRIPTION	DATE	DWN	APVD
A		INITIAL RELEASE	01JUN2020	MR	LH
B		TYPO CORRECTION	24NOV2022	HM	LH



FRONT PIECE



AS SHOWN FRONT AND BACK PIECE



BACK PIECE

- NOTES :
- PARTS SHALL BE KITTED 24 PCS PER BOX, 12 PAIRS OF COVERS
 - PARTS SHALL BE SUPPLIED IN OPEN POSITION
 - PARTS SHALL BE KITTED WITH 8X LVIC-RIV-TS555
PCN: 319851-000, OR WITH RAYSULATE EQUIVALENT PART, PER PAIR OF COVERS
 - PARTS SHALL BE KITTED WITH INSTALLATION INSTRUCTION : ESD-6064-6/12

THIS DRAWING IS A CONTROLLED DOCUMENT.		DWN M. RAJ 01 JUN 2020	TCPN EE6188-000		DESCRIPTION BMOD-LV-075-S11-00(B12)
DIMENSIONS: MM [INCH]		CHK S. LIGHT 01 JUN 2020	TE Connectivity NAME BMOD-LV-075-S11-00(B12)		
TOLERANCES UNLESS OTHERWISE SPECIFIED:		APVD L. HILLER 01 JUN 2020			
0 PLC ± 1 PLC ± 2 PLC ± 3 PLC ± 4 PLC ± ANGLES ± FINISH		PRODUCT SPEC	SIZE A2	CAGE CODE 00779	DRAWING NO E00000886
MATERIAL		APPLICATION SPEC	RESTRICTED TO	-	
		WEIGHT	CUSTOMER DRAWING		
		SCALE NTS	SHEET 1	OF 1	REV B

Printed on 24 Nov 2022 15:56 (India Standard Time) from TE397707