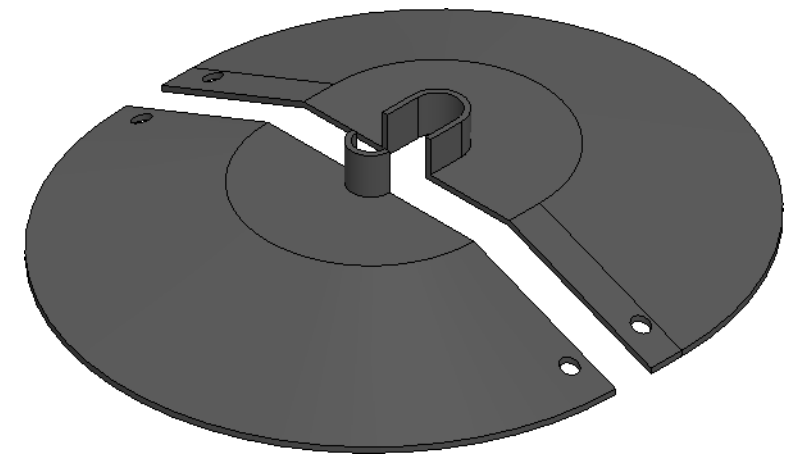
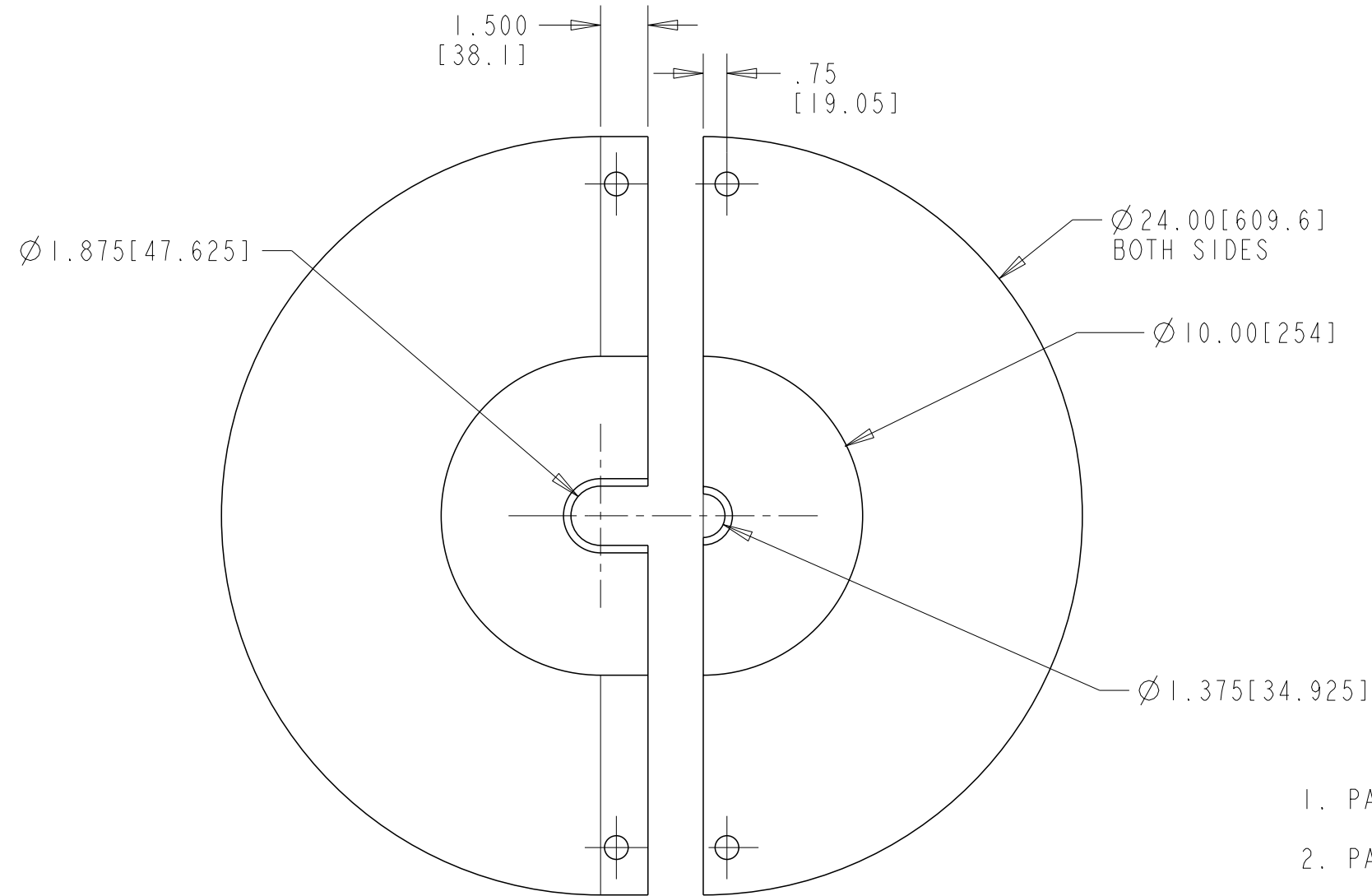


REVISIONS

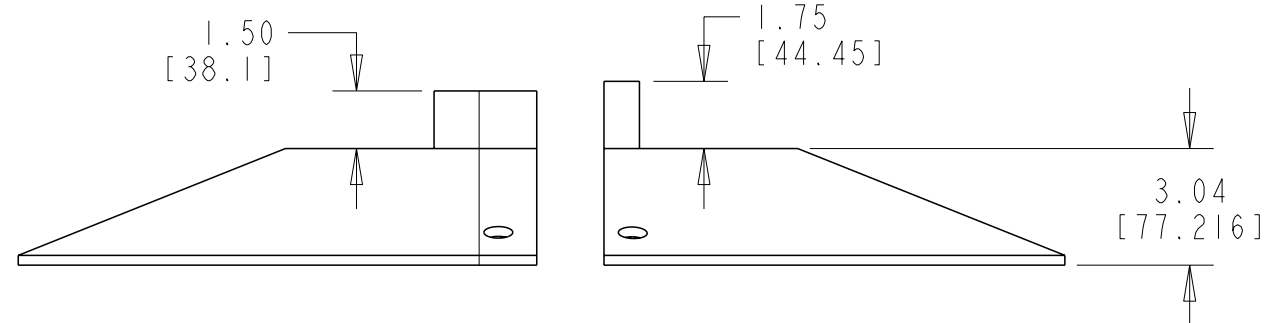
P	LTR	DESCRIPTION	DATE	DWN	APVD
	A	INITIAL RELEASE	15NOV2022	HM	LH



SCALE 3:20

- PARTS SHALL BE KITTED 3 PIECES PER BOX.
- PARTS SHALL BE KITTED WITH P11-56534.
- EACH BOX SHALL BE LABELLED WITH DESCRIPTION, LOT NUMBER, PART NUMBER, MANUFACTURING DATE AND QUALITY.
- KIT CONTENTS:

- 934765-000 SI251-50-300-4 6PC
- CM9066-000 WASHER-5/8-NUNOI 6PC
- CM9067-000 TF-5/8X1.50-HHDNUN24 6PC
- CM9068-000 NUTZ-5/8-NUNOI 6PC



RRGS-35/600-FT(B3)	CS2370-000
RRGS-G-35/600-FT(B3)	CS2369-000
	TCPN

THIS DRAWING IS A CONTROLLED DOCUMENT.		DWN	15NOV2022		
		CHK	15NOV2022		
		APVD	15NOV2022		
		PRODUCT SPEC			
DIMENSIONS: INCH[MM]		TOLERANCES UNLESS OTHERWISE SPECIFIED:		NAME RRGS-G-35/600-FT(B3) RRGS-35/600-FT(B3)	
		0 PLC	±-	APPLICATION SPEC	
		1 PLC	±	-	
		2 PLC	±	WEIGHT	
		3 PLC	±	-	
		4 PLC	±	-	
		ANGLES	±-	SIZE	
MATERIAL		FINISH	-	CAGE CODE	
				DRAWING NO	
				RESTRICTED TO	
				-	
				SCALE 1:5 SHEET 1 OF 1 REV A	
				CUSTOMER DRAWING	

Printed on 23 Nov 2022 18:07 (India Standard Time) from IE397707