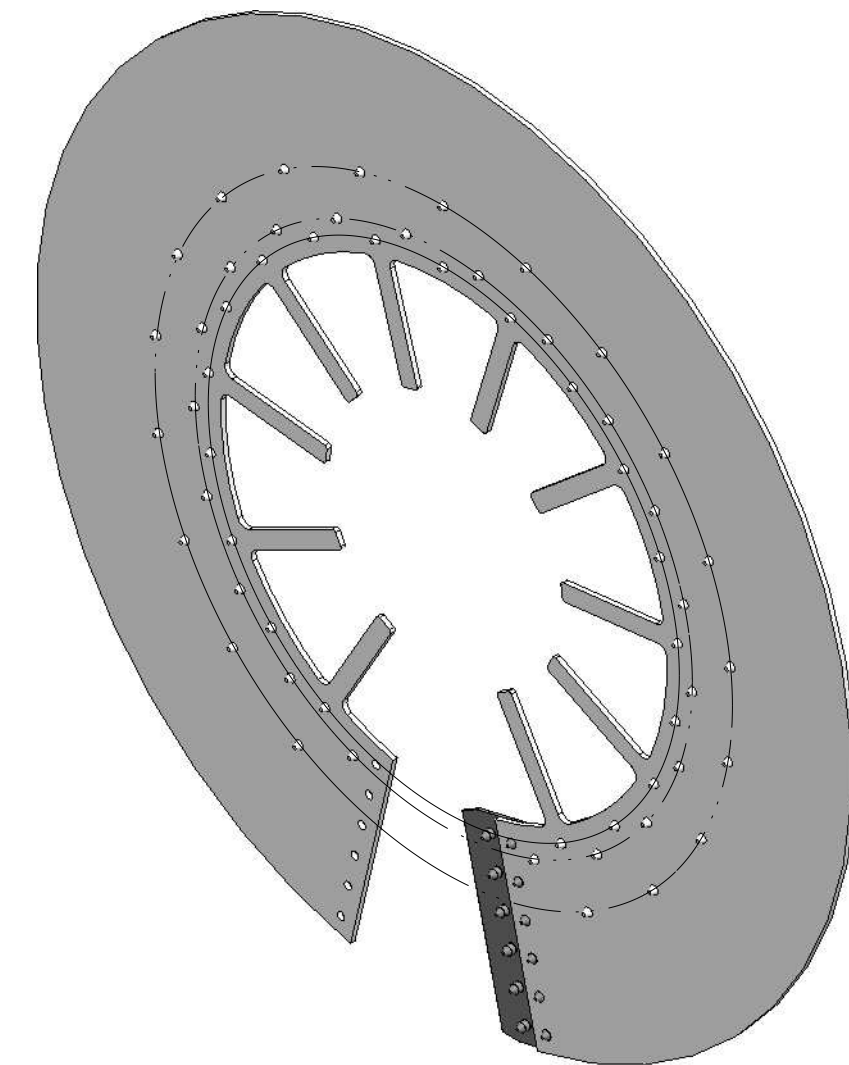
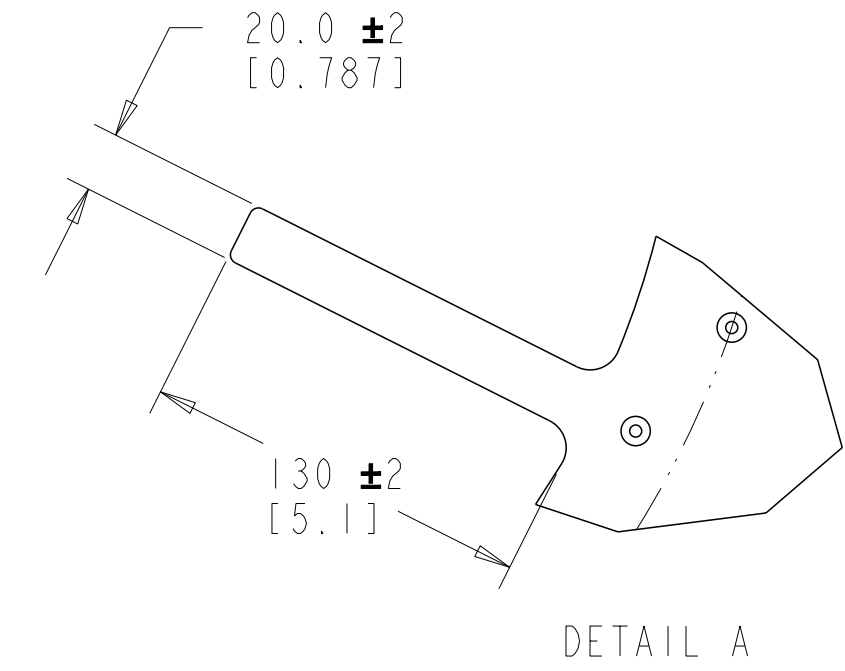
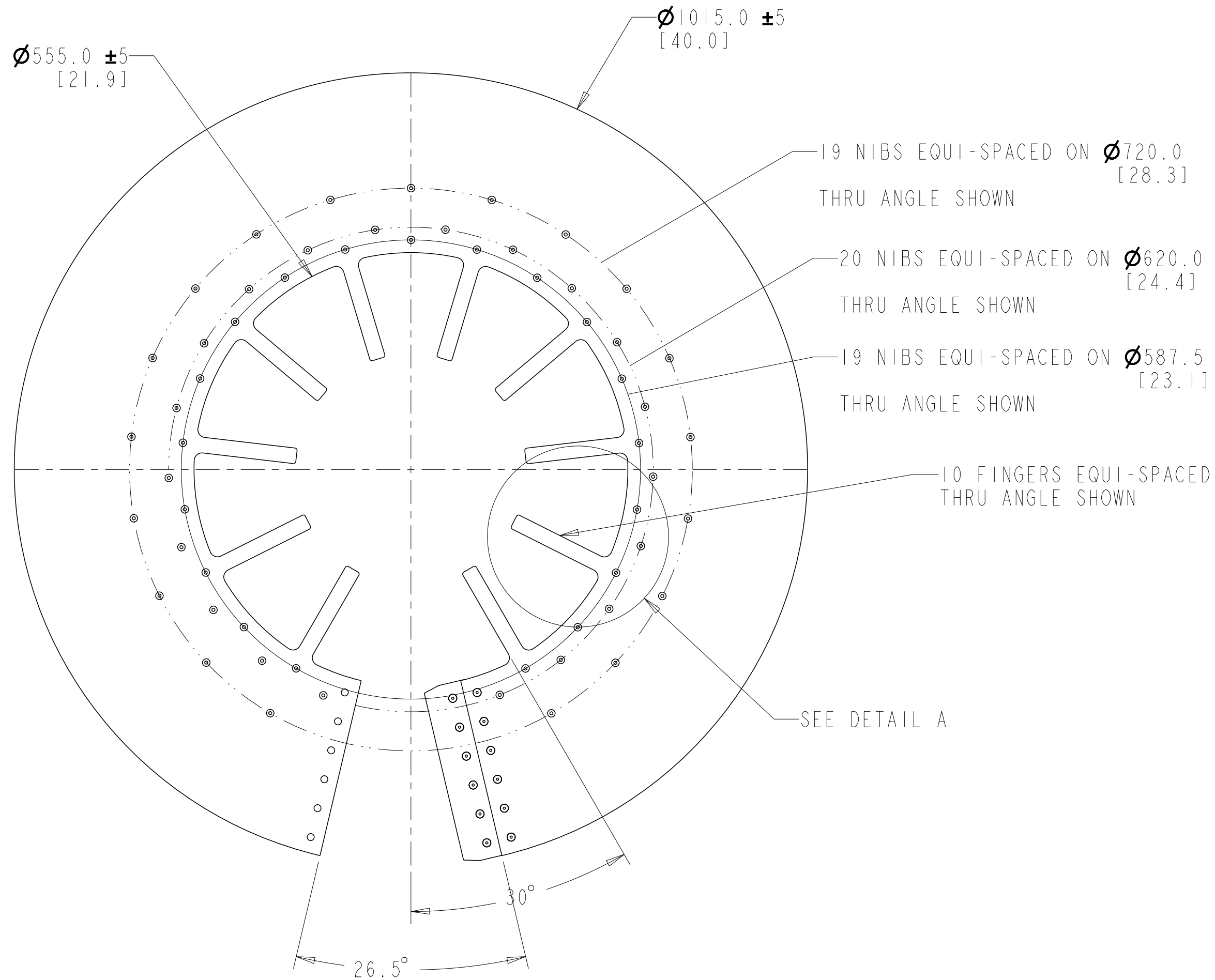


P	LTR	DESCRIPTION	DATE	DWN	APVD
A		INITIAL RELEASE	29APR2020	AS	LH



NOTES:

- PARTS SHALL BE KITTED WITH P11-56080.
- EACH BOX SHALL BE LABELLED WITH DESCRIPTION, LOT NUMBER, PART NUMBER, MANUFACTURING DATE AND QUANTITY.
- KIT CONTENTS:
799928-000 1 TUBE SILOSET, 836639-000 HVBS-205R490 JOINT STRIP 1 PC.

TCPN
CR3388-000

THIS DRAWING IS A CONTROLLED DOCUMENT.		DWN A. SABARAD 29APR2020	TE Connectivity															
DIMENSIONS: MM (INCH)		CHK S. LIGHT 29APR2020																
TOLERANCES UNLESS OTHERWISE SPECIFIED:		APVD L. HILLER 29APR2020	NAME HVBS-1015/555-01-BP															
<table border="0"> <tr><td>0 PLC</td><td>±</td></tr> <tr><td>1 PLC</td><td>±</td></tr> <tr><td>2 PLC</td><td>±</td></tr> <tr><td>3 PLC</td><td>±</td></tr> <tr><td>4 PLC</td><td>±</td></tr> <tr><td>ANGLES</td><td>±</td></tr> <tr><td>FINISH</td><td>±</td></tr> </table>		0 PLC	±	1 PLC	±	2 PLC	±	3 PLC	±	4 PLC	±	ANGLES	±	FINISH	±	PRODUCT SPEC	SIZE	RESTRICTED TO
0 PLC	±																	
1 PLC	±																	
2 PLC	±																	
3 PLC	±																	
4 PLC	±																	
ANGLES	±																	
FINISH	±																	
MATERIAL	-	APPLICATION SPEC	A2	-														
	-	WEIGHT	00779	-														
	-	CUSTOMER DRAWING	C-E00000859	-														
			SCALE	REV														
			NTS	A														