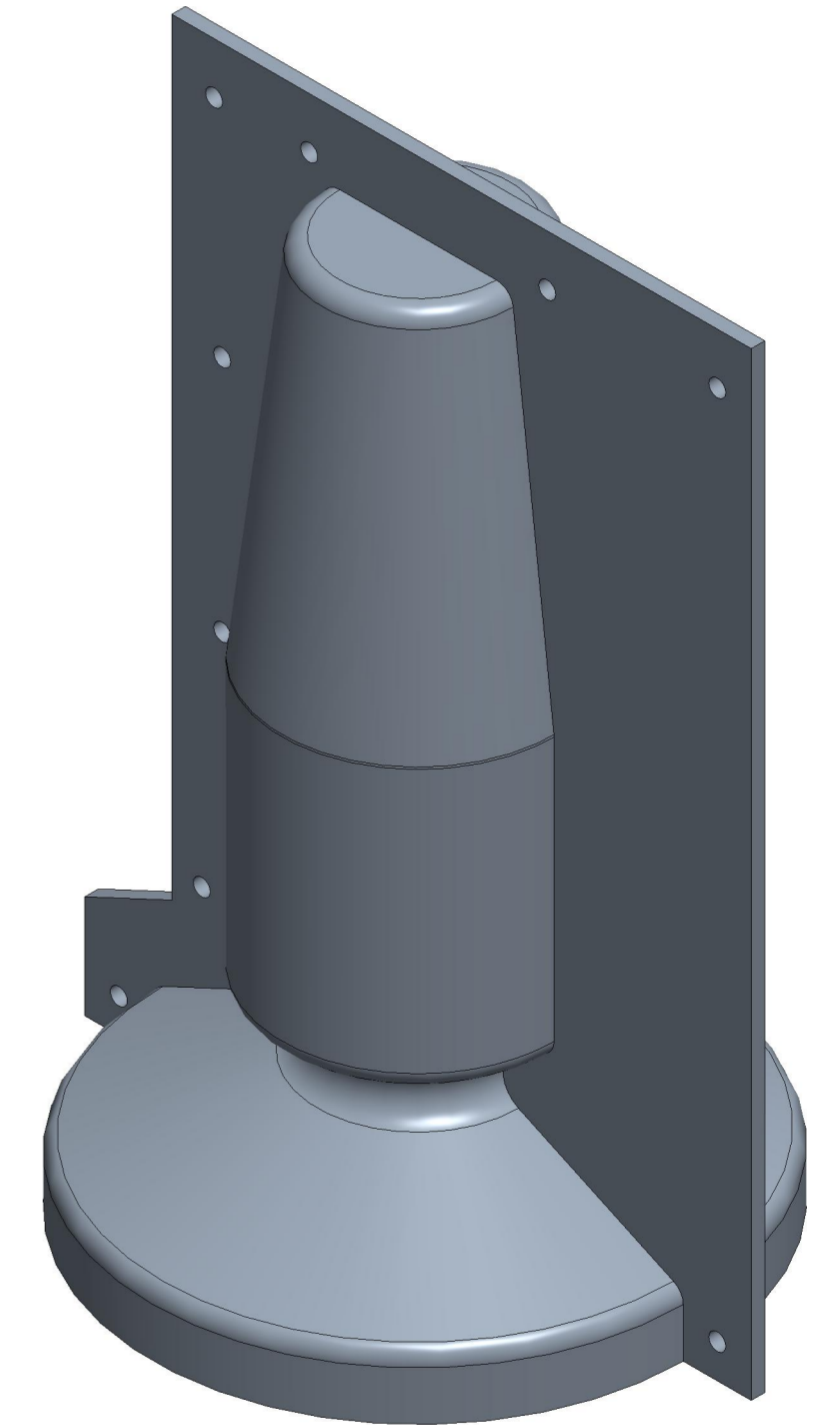
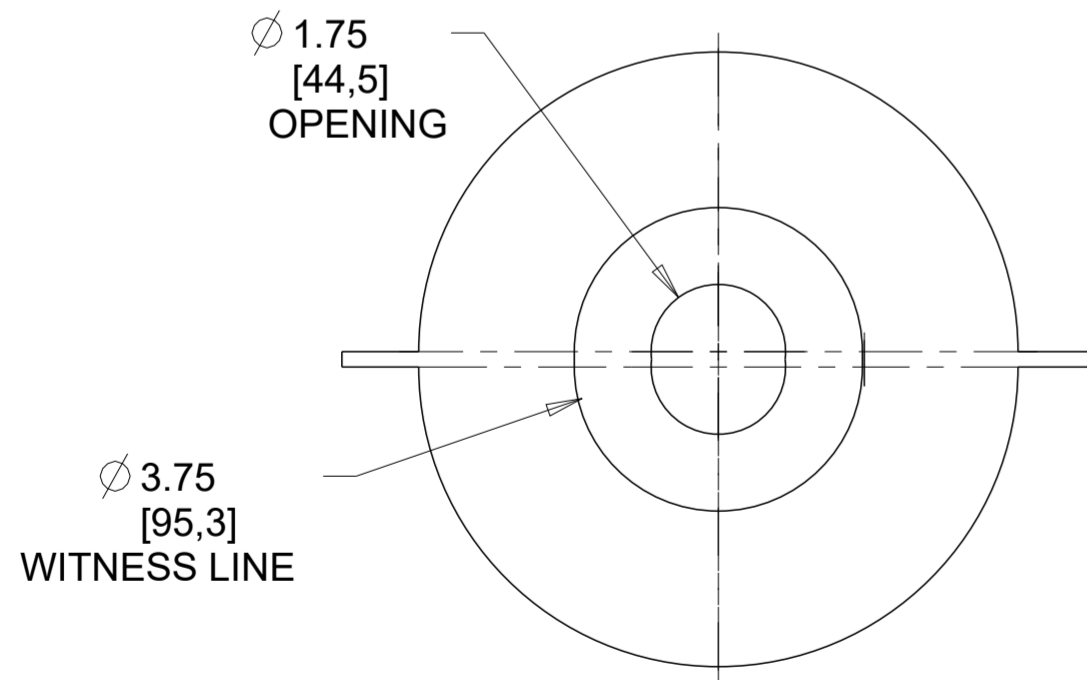
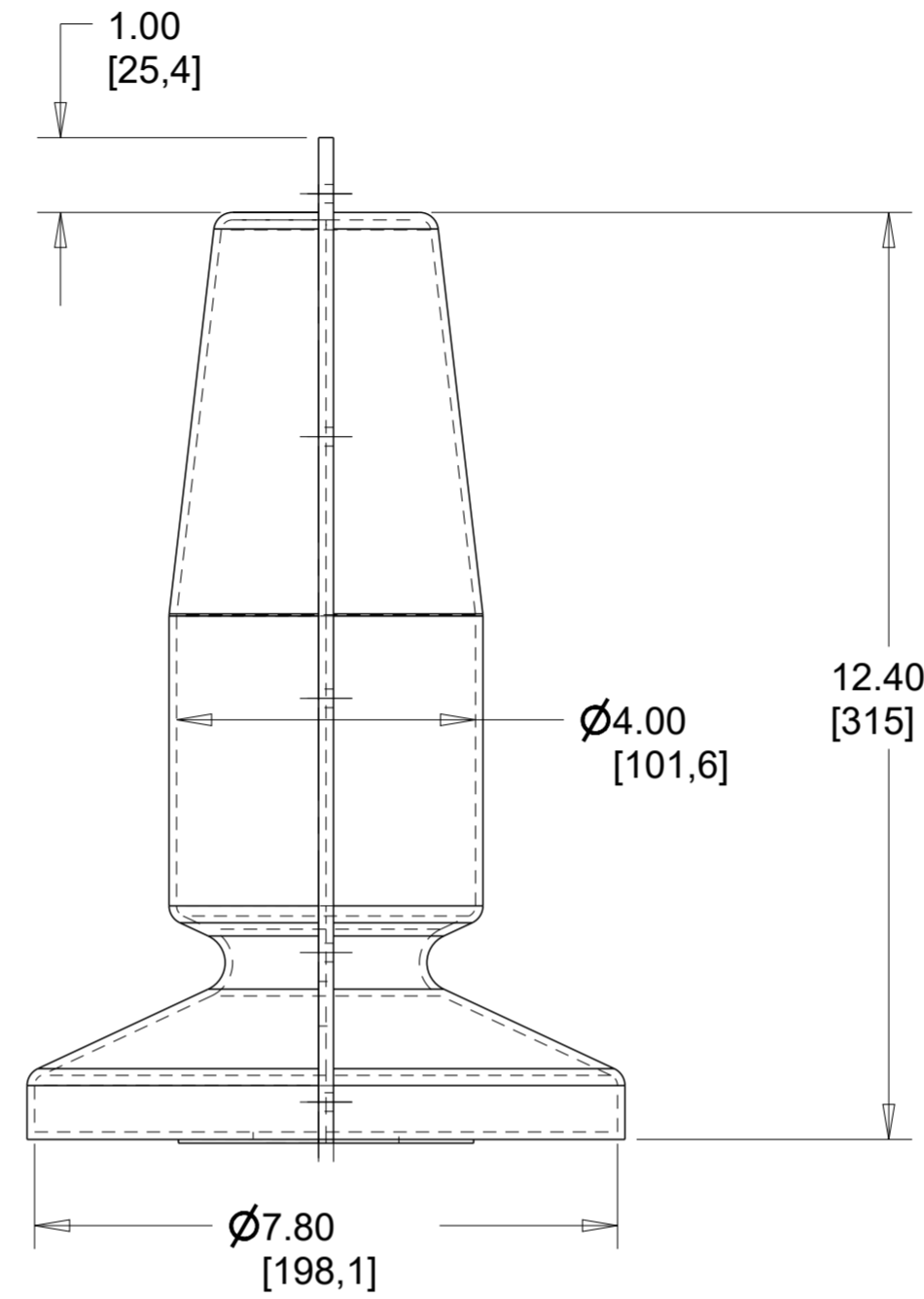
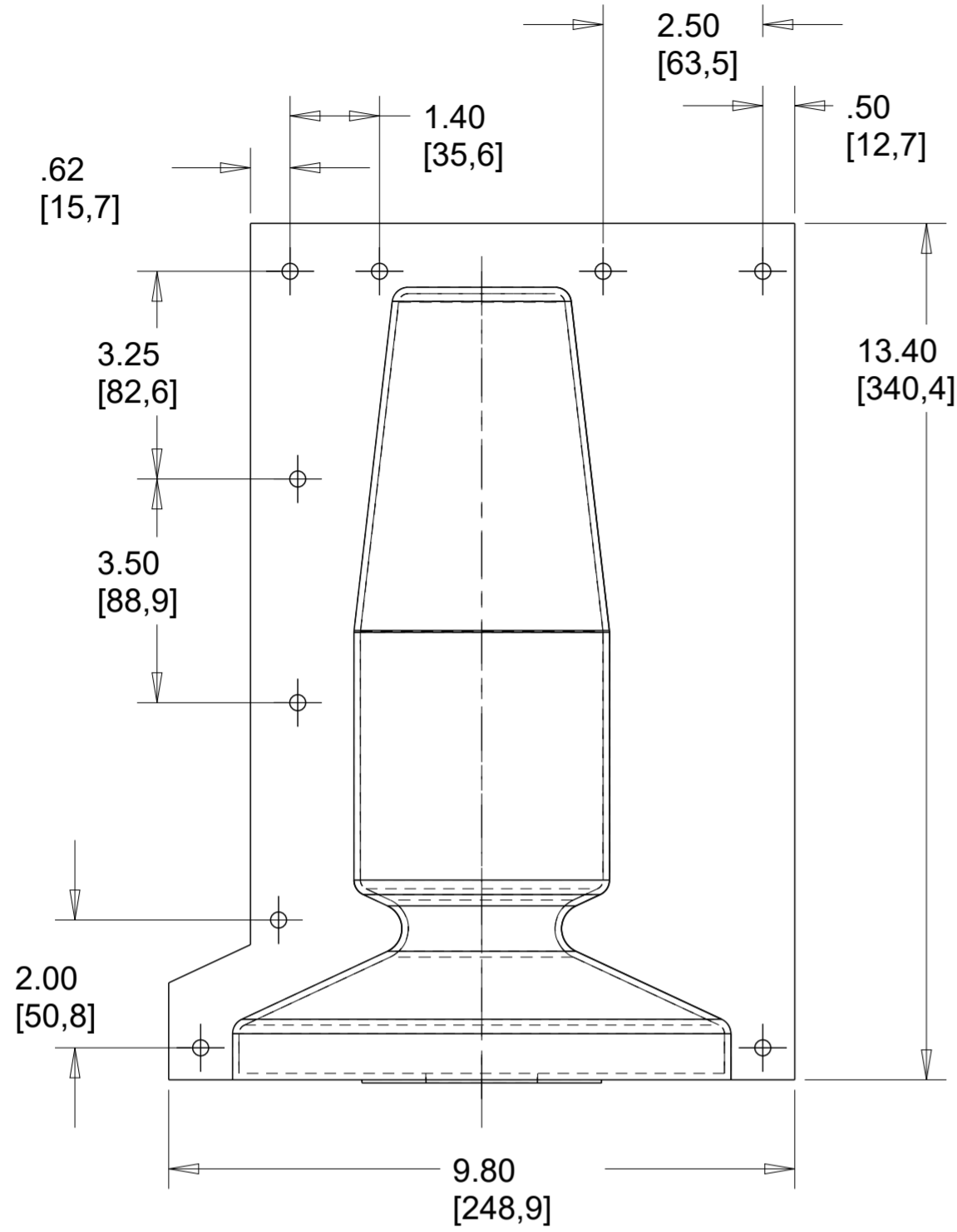


REVISIONS					
P	LTR	DESCRIPTION	DATE	DWN	APVD
A		INITIAL RELEASE	30MAY2020	AS	LH



NOTES:

- 1. PARTS SHALL BE KITTED 6 PIECES PER BOX.
- 2. PART SHALL BE KITTED WITH QTY 9 BCIC LATCH, PN 607477-000
- 3. EACH BOX SHALL BE LABELLED WITH DESCRIPTION, LOT NUMBER, PART NUMBER, MANUFACTURING DATE AND QUANTITY

TCPN
CR6675-000

THIS DRAWING IS A CONTROLLED DOCUMENT.		DWN A. SABARAD 30MAY2020	TE Connectivity	
DIMENSIONS: INCH(MM)		CHK S. LIGHT 30MAY2020		
TOLERANCES UNLESS OTHERWISE SPECIFIED:		APVD L. HILLER 30MAY2020	NAME BCIC-G-RECLOSERCOVER(B6)	
0 PLC ±	1 PLC ±0.1	PRODUCT SPEC	SIZE	CAGE CODE
2 PLC ±0.01	3 PLC ±0.001	APPLICATION SPEC	A2	00779
4 PLC ±0.0001	ANGLES ±	WEIGHT	DRAWING NO	RESTRICTED TO
MATERIAL	FINISH	CUSTOMER DRAWING	C-E00000850	-
-	-	SCALE	NTS	SHEET
-	-	1 OF 1	REV	A