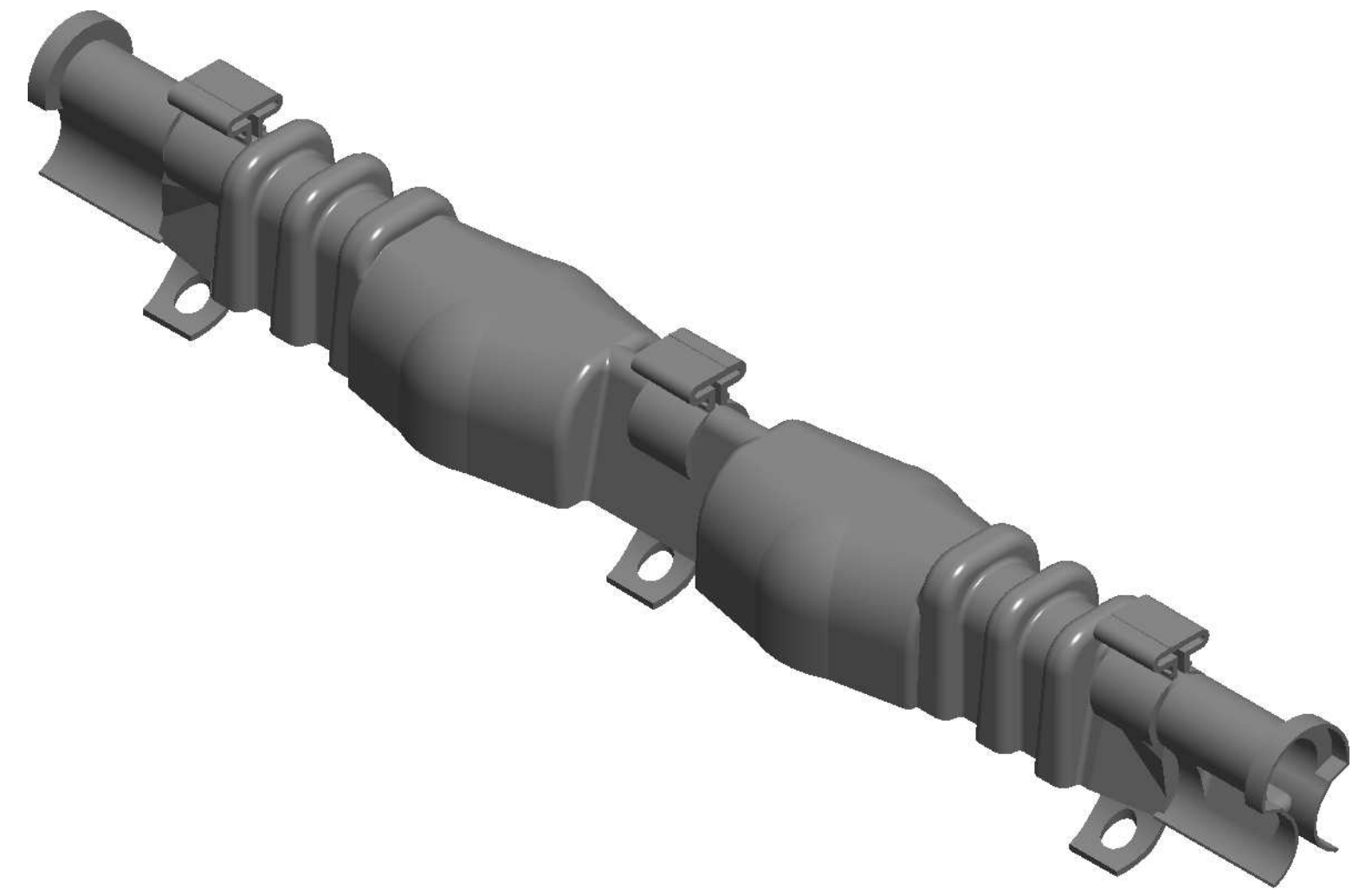
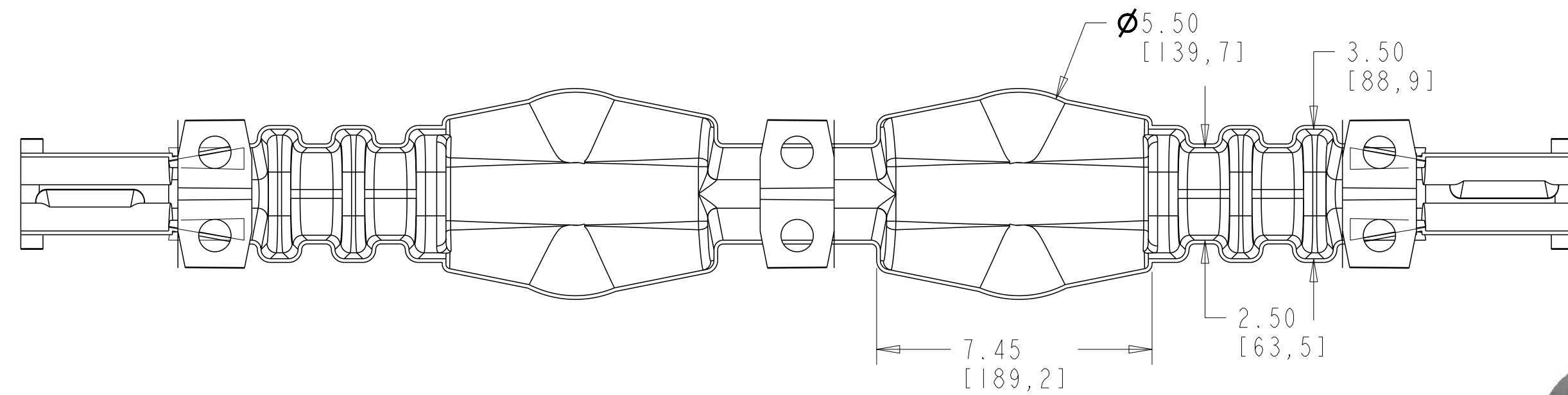
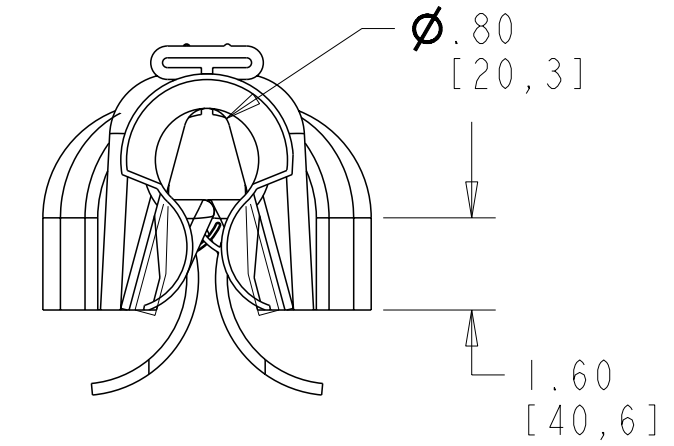
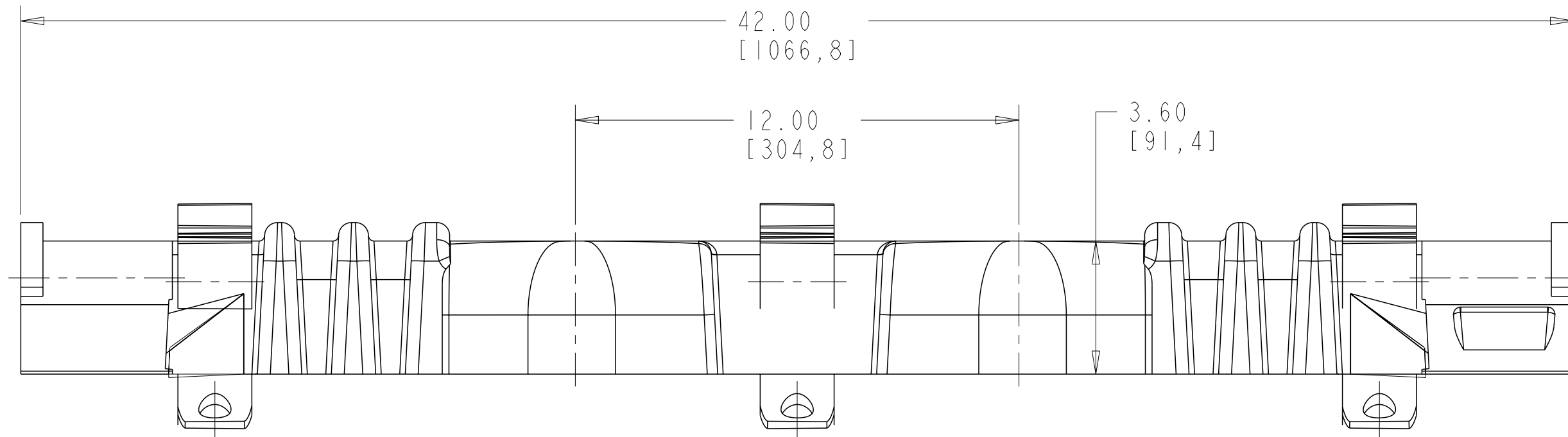


P	LTR	DESCRIPTION	DATE	DWN	APVD
A		INITIAL RELEASE	18APR2020	AS	LH



TCPN	DESCRIPTION	PIECES/BOX
CR0371-000	BCIC-G-DSMPIN-795-01(B6)	6
CR4528-000	BCIC-G-DSMPIN-795-24(B3)	3

NOTES:

- PART CR4528-000 SHALL BE KITTED WITH QTY 2 BCIC-G-ARM-24-D, PN E30747-000.
- EACH BOX SHALL BE LABELLED WITH DESCRIPTION, LOT NUMBER, PART NUMBER MANUFACTURING DATE AND QUANTITY.

THIS DRAWING IS A CONTROLLED DOCUMENT.		DWN A. SABARAD 18APR2020	TE Connectivity	
DIMENSIONS: INCH(MM)		CHK S. LIGHT 18APR2020		
TOLERANCES UNLESS OTHERWISE SPECIFIED:		APVD L. HILLER 18APR2020	NAME BCIC-G-DSMPIN-795	
0 PLC ±- 1 PLC ±0.1 2 PLC ±0.01 3 PLC ±0.001 4 PLC ±0.0001 ANGLES ±- FINISH -		PRODUCT SPEC -	APPLICATION SPEC -	RESTRICTED TO -
MATERIAL -	FINISH -	WEIGHT -	SIZE A2	CAGE CODE 00779
CUSTOMER DRAWING		SCALE NTS	DRAWING NO E00000840	SHEET 1 OF 1