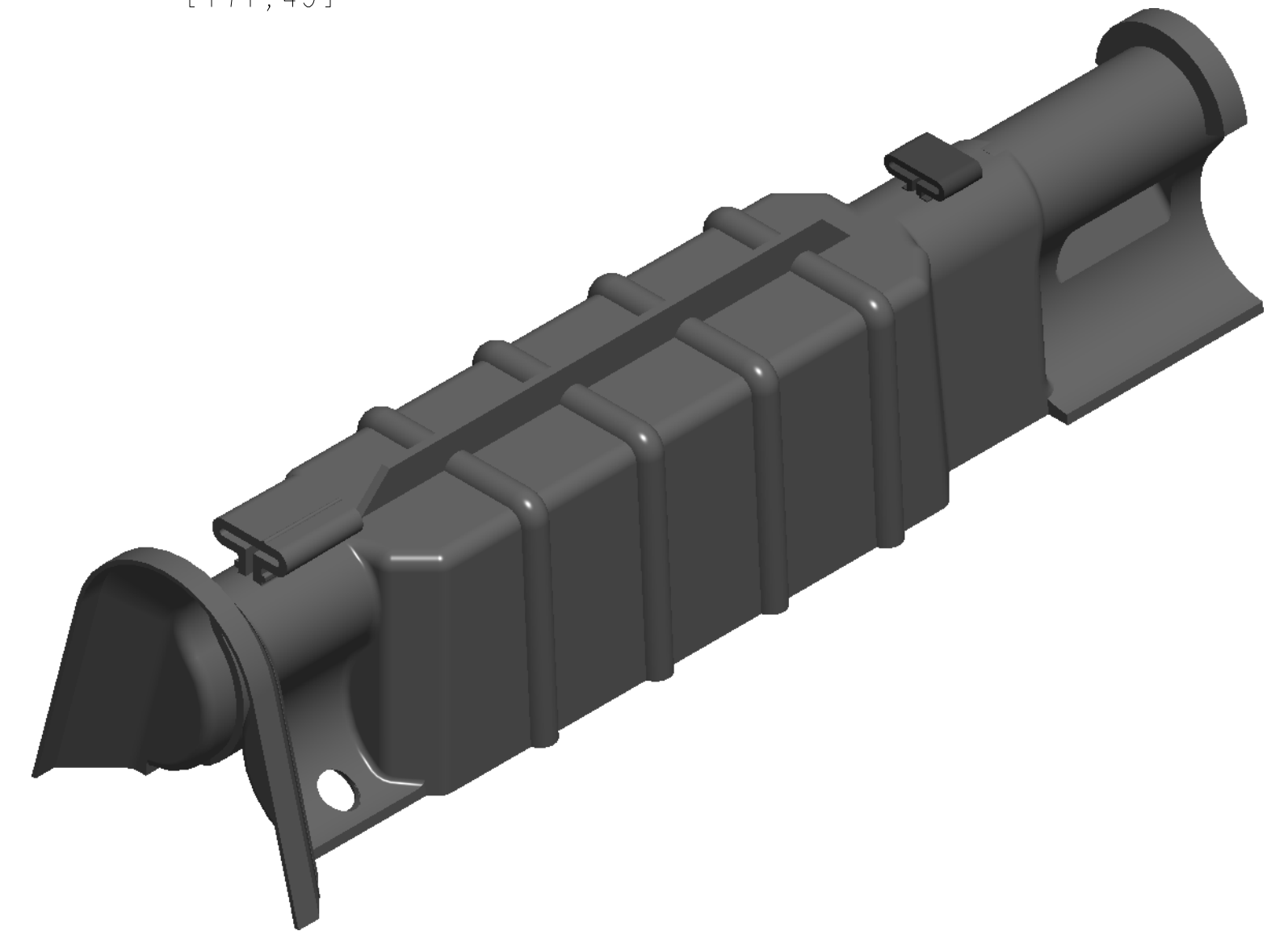
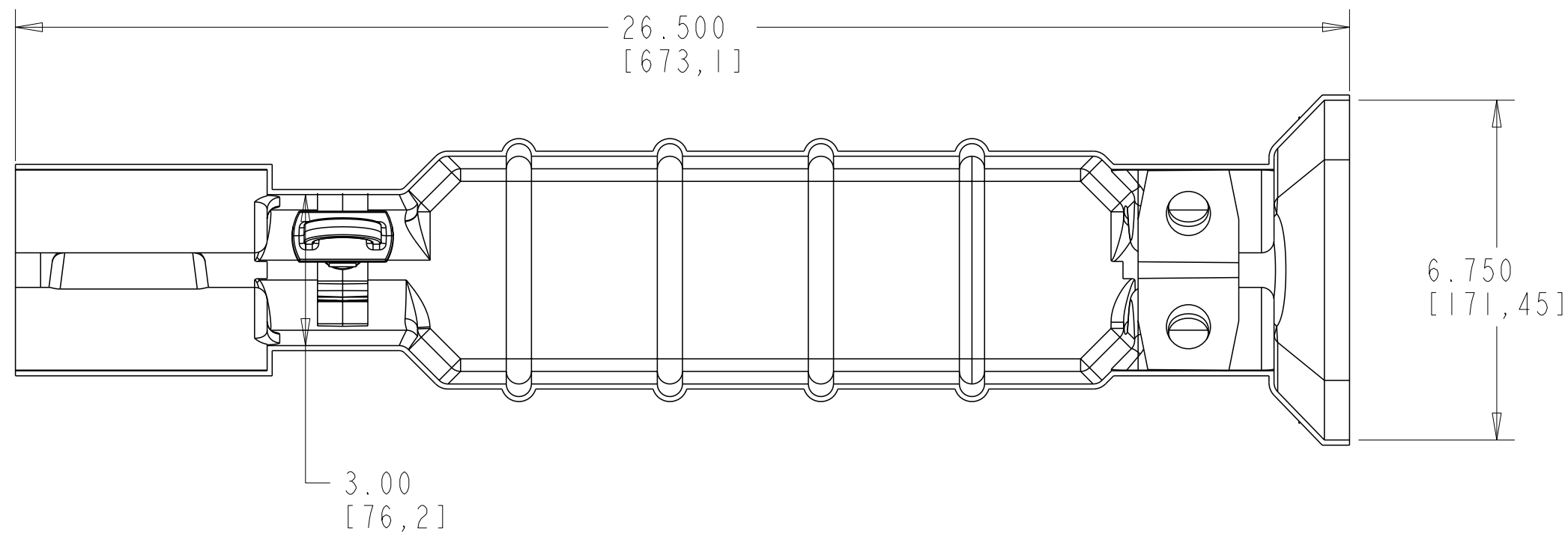
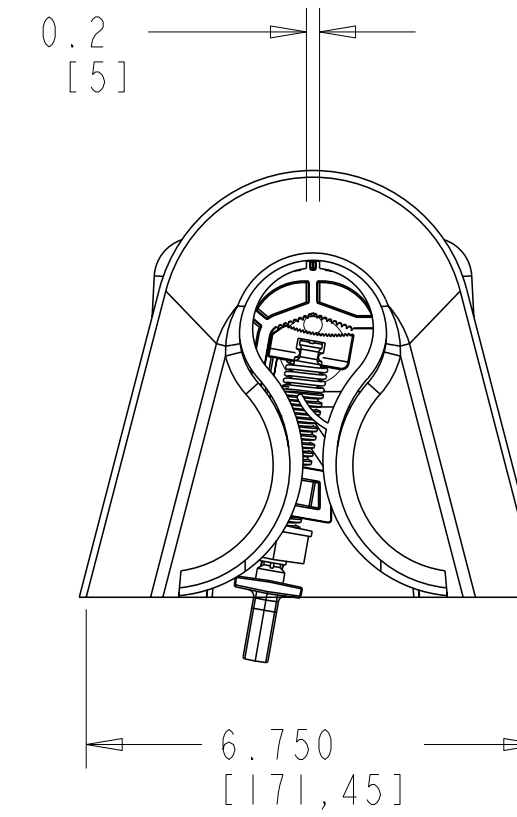
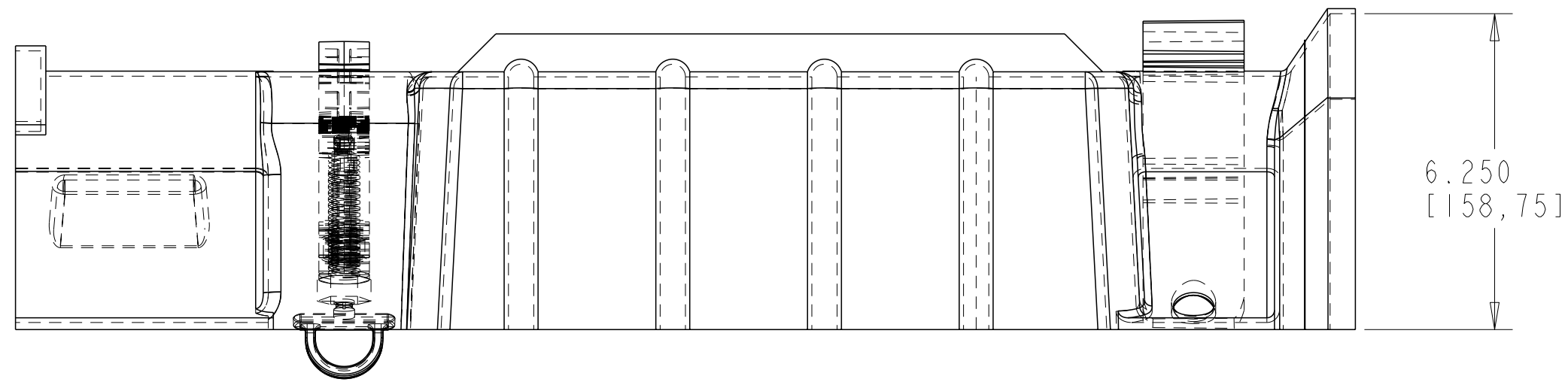



P	LTR	DESCRIPTION	DATE	DWN	APVD
A		INITIAL RELEASE	18APR2020	AS	LH



NOTES:

1. PARTS SHALL BE KITTED 3 PIECES PER BOX.
2. PARTS SHALL BE KITTED WITH P11-56326.
3. EACH BOX SHALL BE LABELLED WITH DESCRIPTION, LOT NUMBER, PART NUMBER, MANUFACTURING DATE AND QUANTITY

TCPN  
CU4483-000

THIS DRAWING IS A CONTROLLED DOCUMENT.		DWN A. SABARAD 18APR2020	 TE Connectivity	
DIMENSIONS: INCH(MM)		CHK S. LIGHT 18APR2020		
TOLERANCES UNLESS OTHERWISE SPECIFIED:		APVD L. HILLER 18APR2020	NAME BCIC-G-DE/CL-01(B3)	
0 PLC ± 1 PLC ±0.1 2 PLC ±0.01 3 PLC ±0.001 4 PLC ±0.0001 ANGLES ± FINISH		PRODUCT SPEC -	SIZE A2	CAGE CODE 00779
MATERIAL -		APPLICATION SPEC -	DRAWING NO E00000837	RESTRICTED TO -
		WEIGHT -	SCALE NTS	SHEET 1 OF 1
		CUSTOMER DRAWING	REV A	