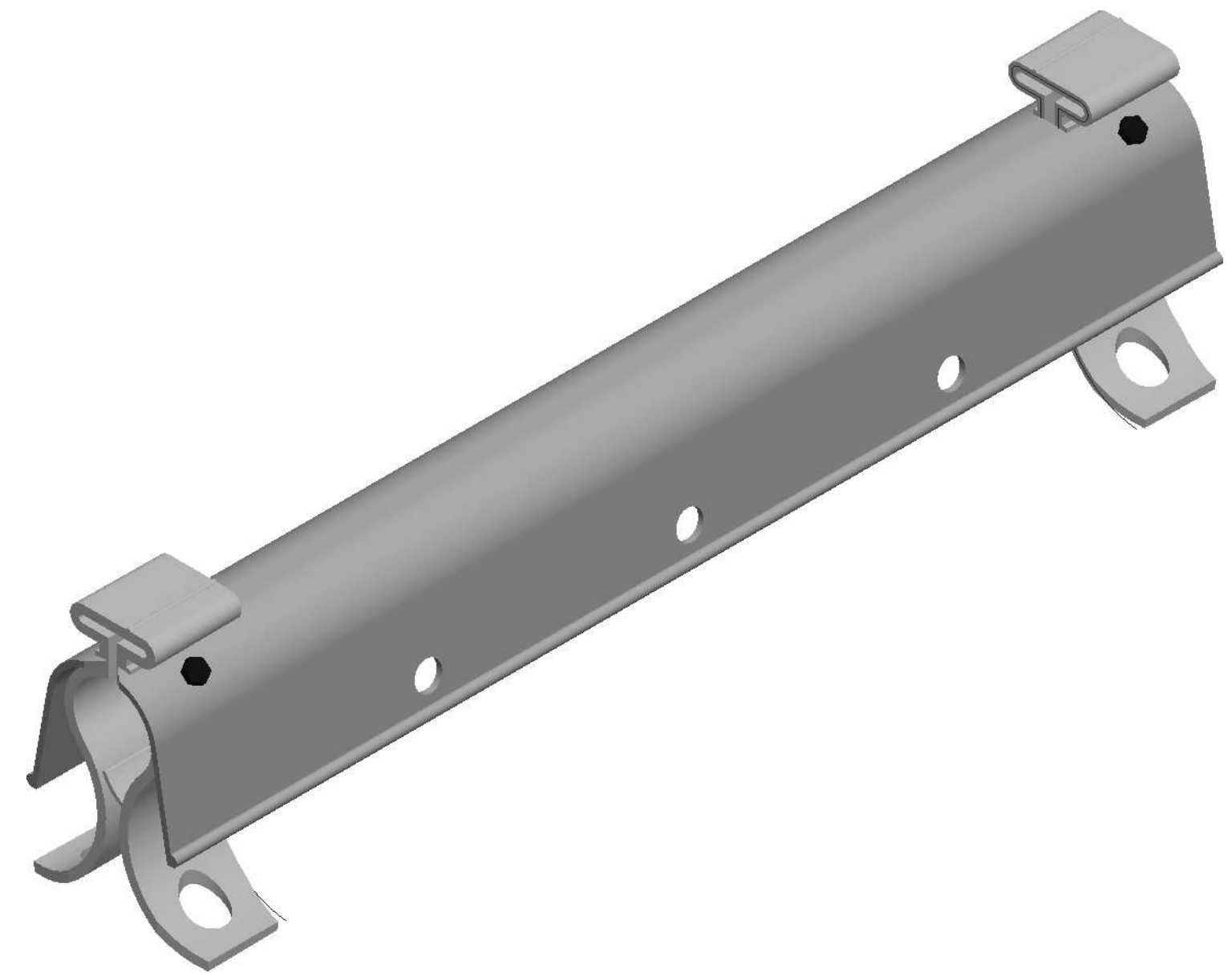
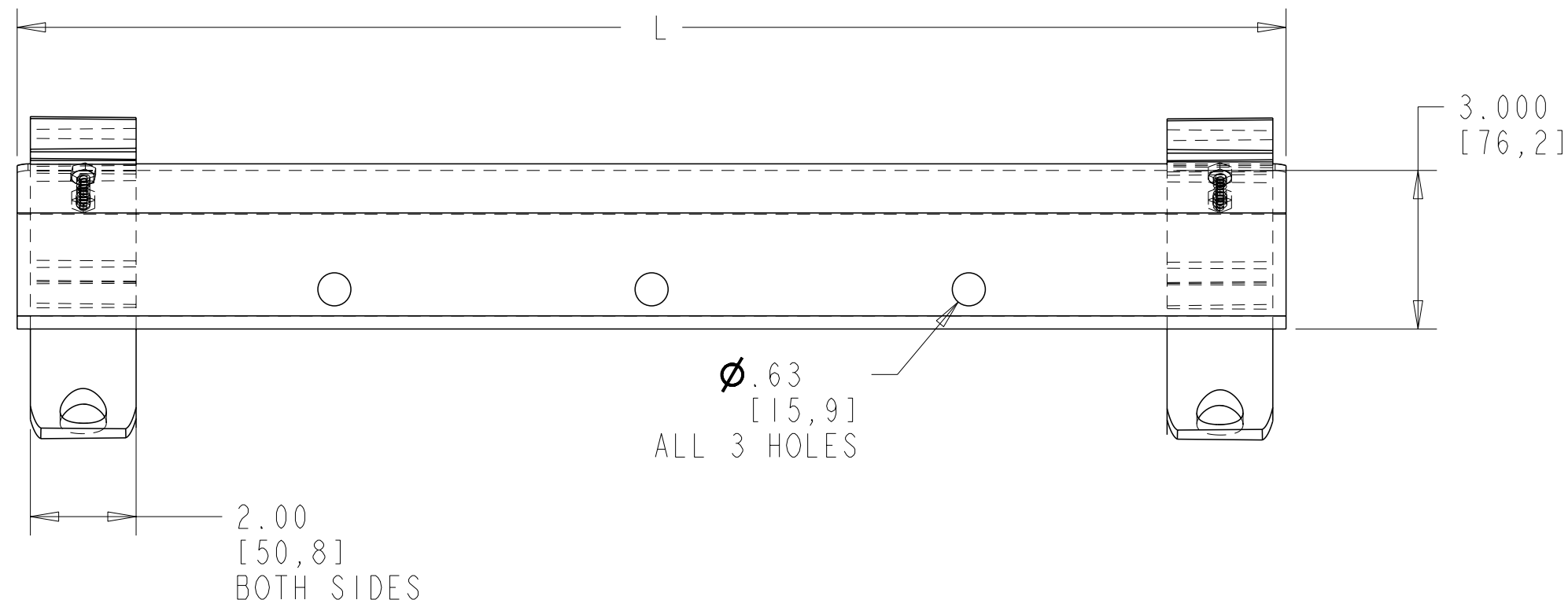
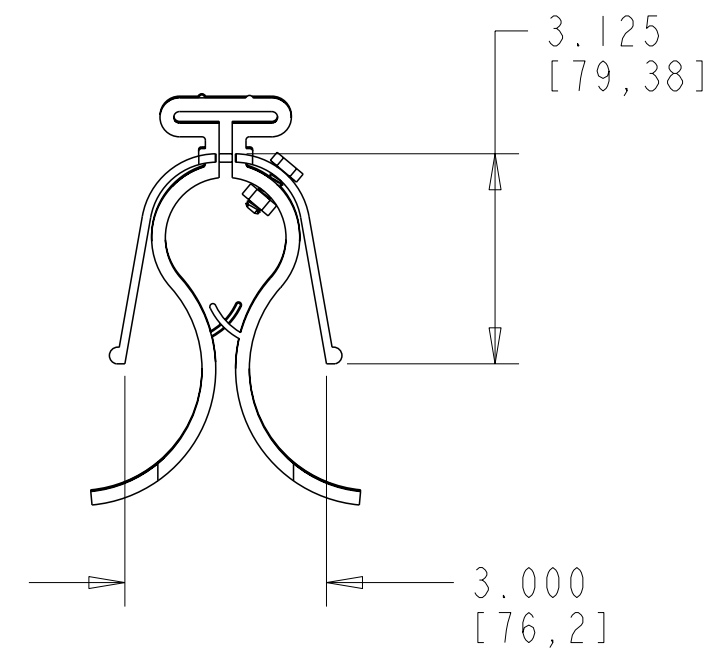
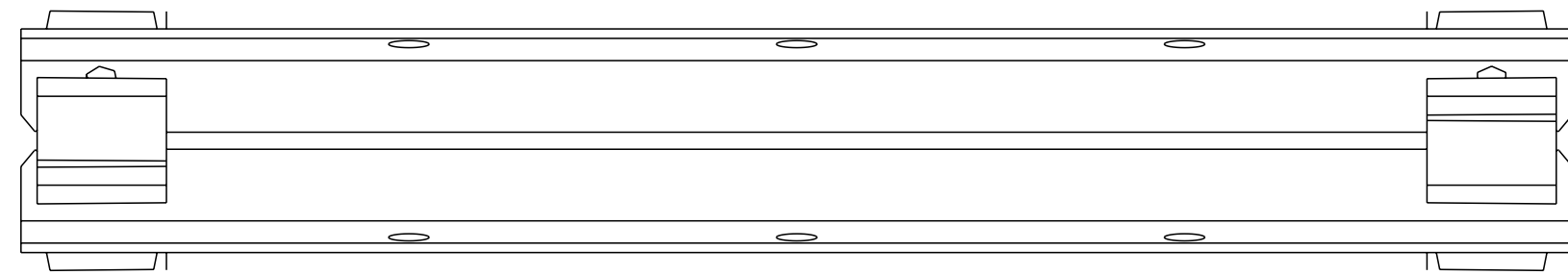


P	LTR	DESCRIPTION	DATE	DWN	APVD
	A	INITIAL RELEASE	18APR2020	AS	LH



TCPN	DESCRIPTION	L INCH(MM)
E43398-000	BCIC-G-ARM-24(B12)	24 (610)
F42213-000	BCIC-G-ARM-48(B12)	48 (1219)

NOTES:

- PARTS TO BE KITTED 12 PIECES PER BOX.
- EACH BOX SHALL BE LABELLED WITH DESCRIPTION, LOT NUMBER, PART NUMBER MANUFACTURING DATE AND QUANTITY.

THIS DRAWING IS A CONTROLLED DOCUMENT.		DWN 18APR2020 A. SABARAD																
DIMENSIONS: INCH(MM)		CHK 18APR2020 S. LIGHT																
TOLERANCES UNLESS OTHERWISE SPECIFIED:		APVD 18APR2020 L. HILLER	NAME BCIC-G-ARM-24(B12)															
<table border="1"> <tr><td>0 PLC</td><td>±</td></tr> <tr><td>1 PLC</td><td>±0.1</td></tr> <tr><td>2 PLC</td><td>±0.01</td></tr> <tr><td>3 PLC</td><td>±0.001</td></tr> <tr><td>4 PLC</td><td>±0.0001</td></tr> <tr><td>ANGLES</td><td>±</td></tr> <tr><td>FINISH</td><td>-</td></tr> </table>		0 PLC	±	1 PLC	±0.1	2 PLC	±0.01	3 PLC	±0.001	4 PLC	±0.0001	ANGLES	±	FINISH	-	PRODUCT SPEC	SIZE CAGE CODE DRAWING NO RESTRICTED TO	
0 PLC	±																	
1 PLC	±0.1																	
2 PLC	±0.01																	
3 PLC	±0.001																	
4 PLC	±0.0001																	
ANGLES	±																	
FINISH	-																	
MATERIAL	-	APPLICATION SPEC	A2 00779 C-E00000835															
-		WEIGHT	CUSTOMER DRAWING SCALE NTS SHEET OF REV A															