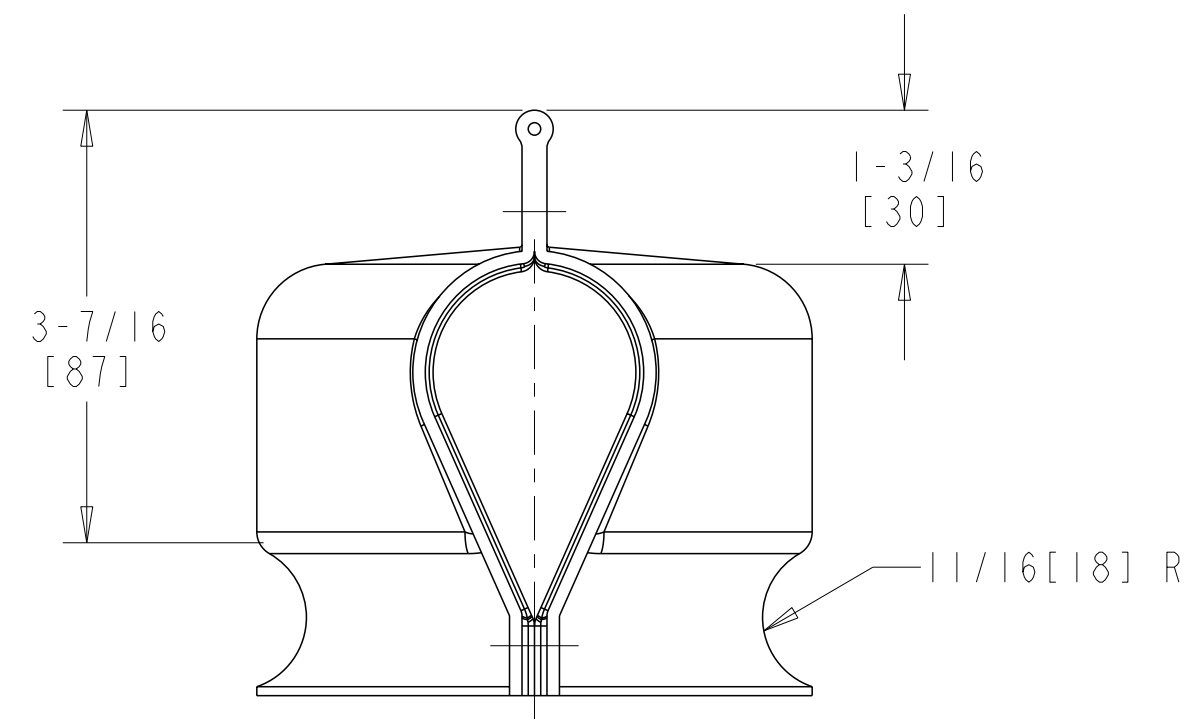
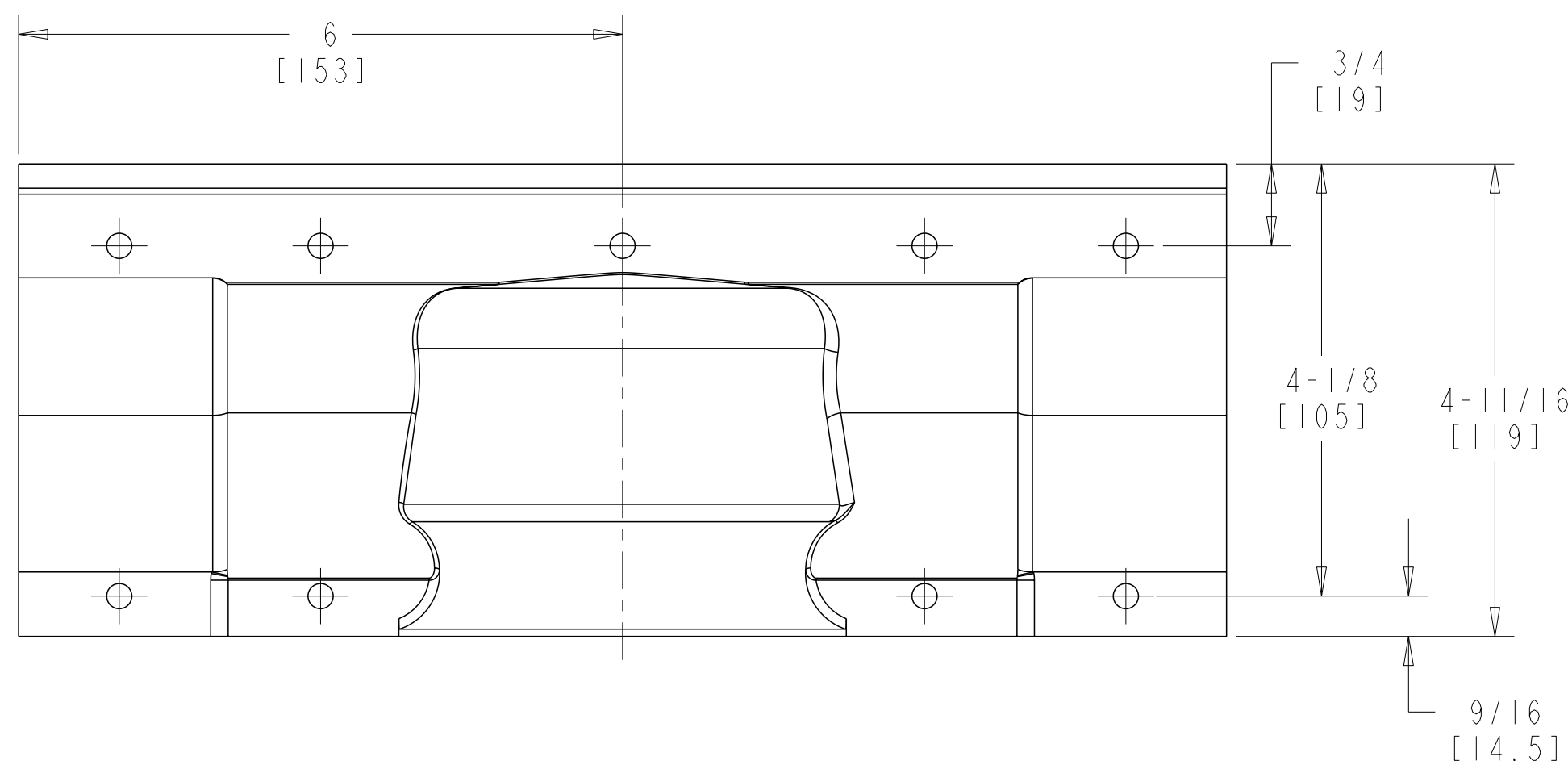
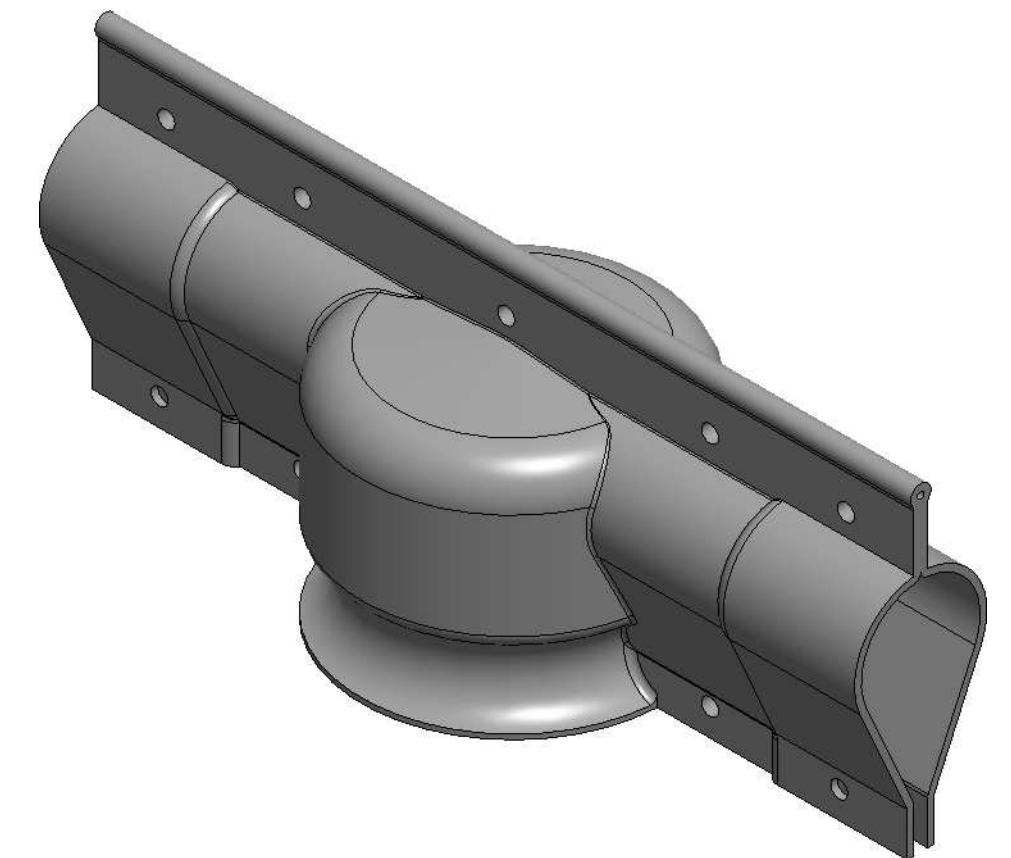
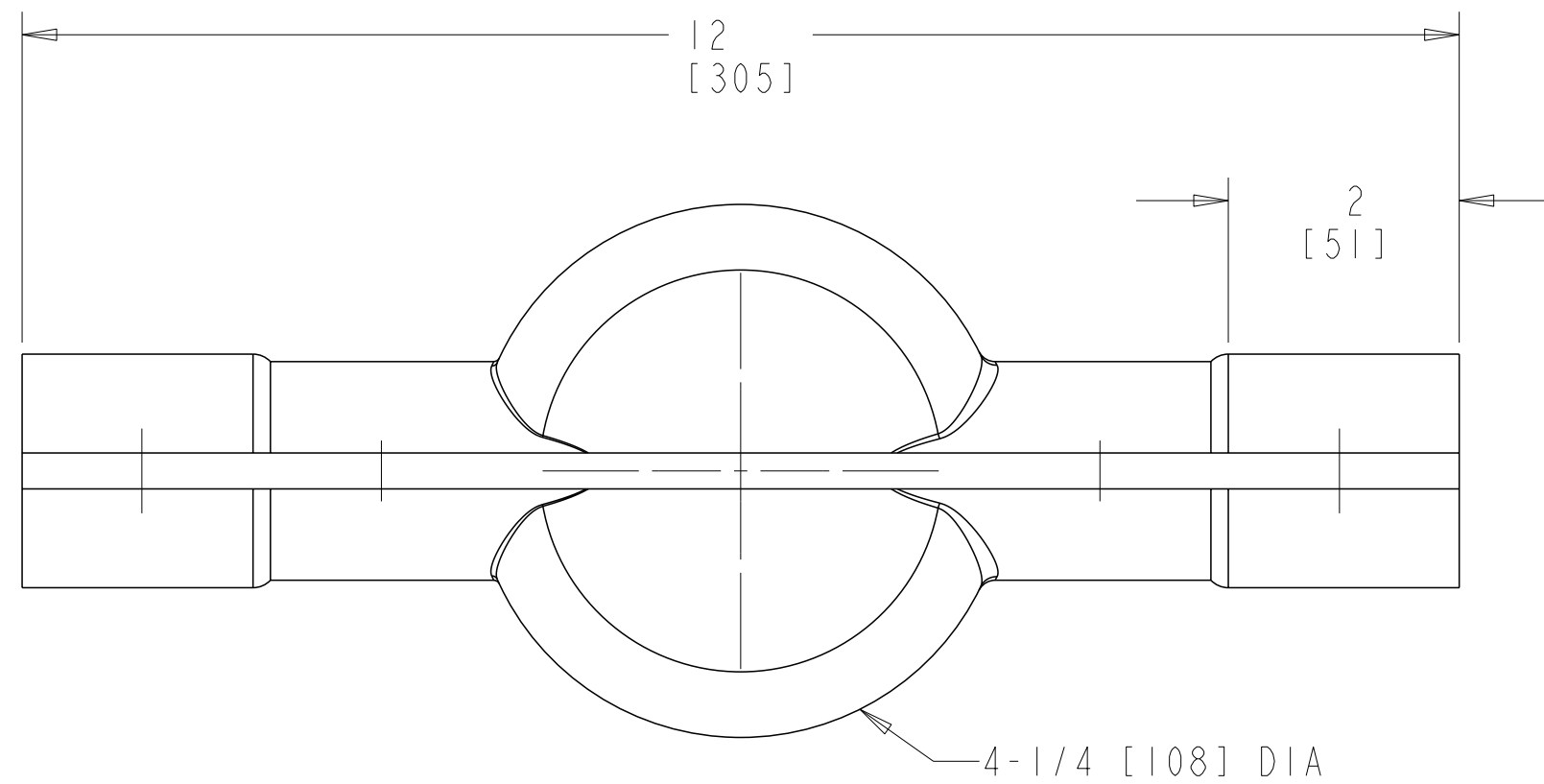


REVISIONS					
P	LTR	DESCRIPTION	DATE	DWN	APVD
A		INITIAL RELEASE	20APR2020	AS	LH
B		TYPO CORRECTION	24NOV2022	HM	LH



NOTES:

- PARTS SHALL BE KITTED 3 PIECES PER BOX.
- PART SHALL BE KITTED WITH 10 BCIC LATCH.
- EACH BOX SHALL BE LABELLED WITH DESCRIPTION, LOT NUMBER, PART NUMBER, MANUFACTURING DATE AND QUANTITY.

TCPN
029173-000

THIS DRAWING IS A CONTROLLED DOCUMENT.		DWN A. SABARAD 20APR2020																
DIMENSIONS: INCH(MM)		CHK S. LIGHT 20APR2020																
TOLERANCES UNLESS OTHERWISE SPECIFIED:		APVD L. HILLER 20APR2020	NAME BCIC-3212-01(B3)															
<table border="0"> <tr> <td>0 PLC</td> <td>±</td> </tr> <tr> <td>1 PLC</td> <td>±0.1</td> </tr> <tr> <td>2 PLC</td> <td>±0.02</td> </tr> <tr> <td>3 PLC</td> <td>±0.005</td> </tr> <tr> <td>4 PLC</td> <td>±0.0005</td> </tr> <tr> <td>ANGLES</td> <td>±</td> </tr> <tr> <td>FINISH</td> <td></td> </tr> </table>		0 PLC	±	1 PLC	±0.1	2 PLC	±0.02	3 PLC	±0.005	4 PLC	±0.0005	ANGLES	±	FINISH		PRODUCT SPEC	RESTRICTED TO	
0 PLC	±																	
1 PLC	±0.1																	
2 PLC	±0.02																	
3 PLC	±0.005																	
4 PLC	±0.0005																	
ANGLES	±																	
FINISH																		
MATERIAL		APPLICATION SPEC	SIZE A2	CAGE CODE 00779														
		WEIGHT	DRAWING NO E00000830	SCALE NTS														
		CUSTOMER DRAWING	SHEET 1	REV B														

Printed on 24 Nov 2022 14:36 (India Standard Time) from TE397707