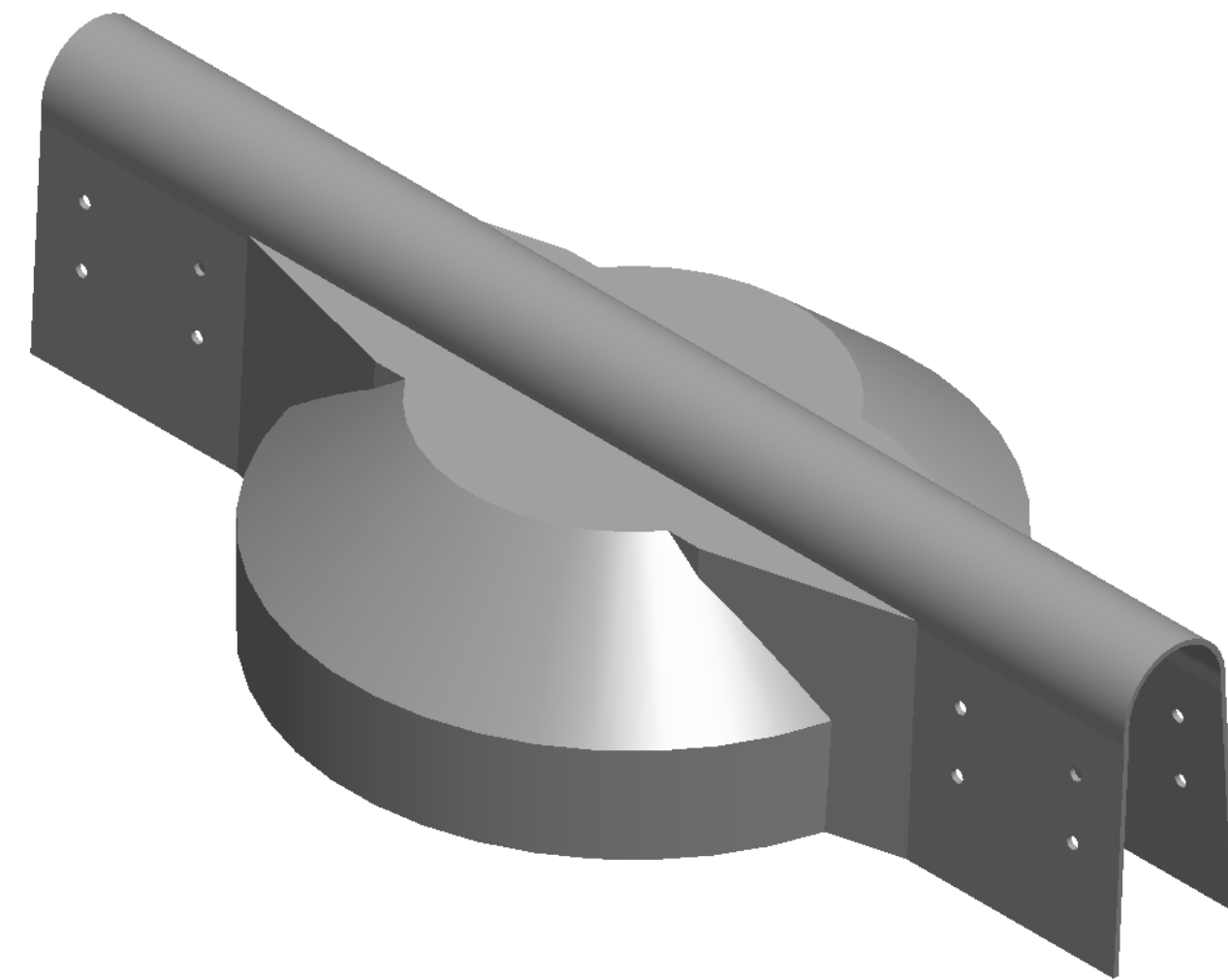
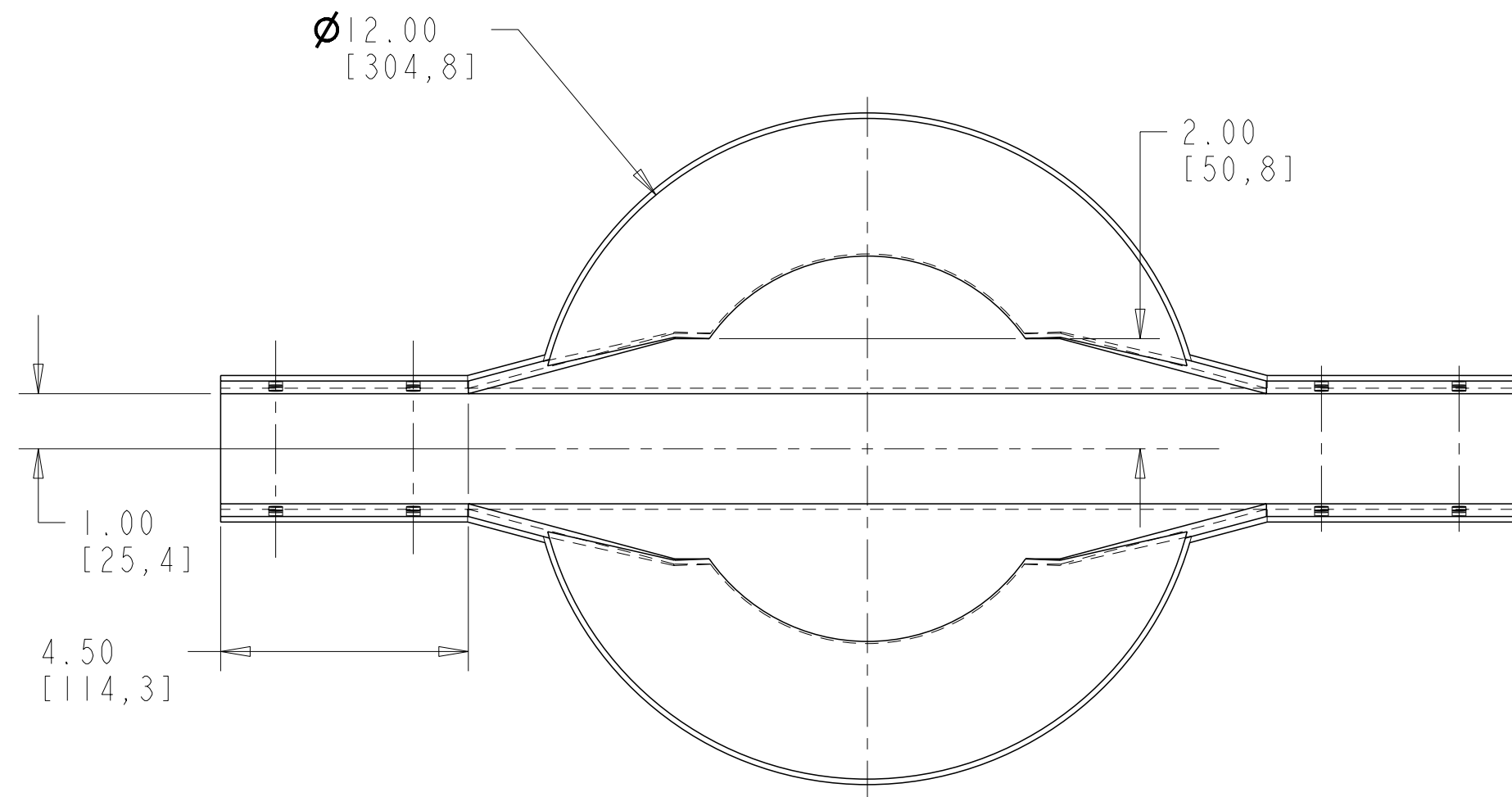
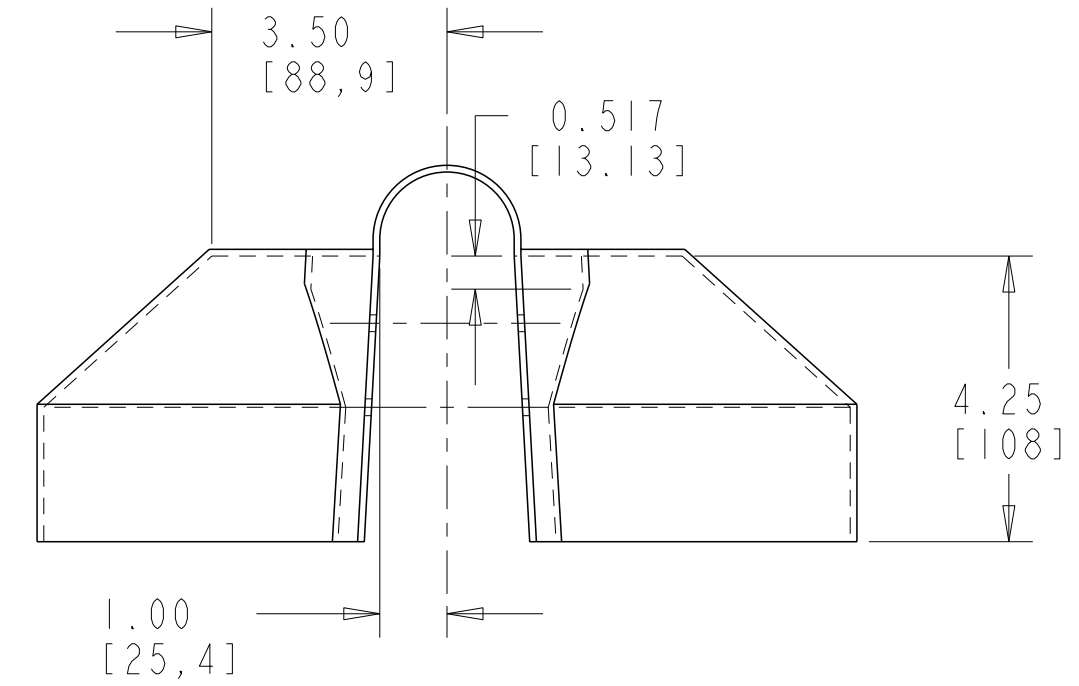
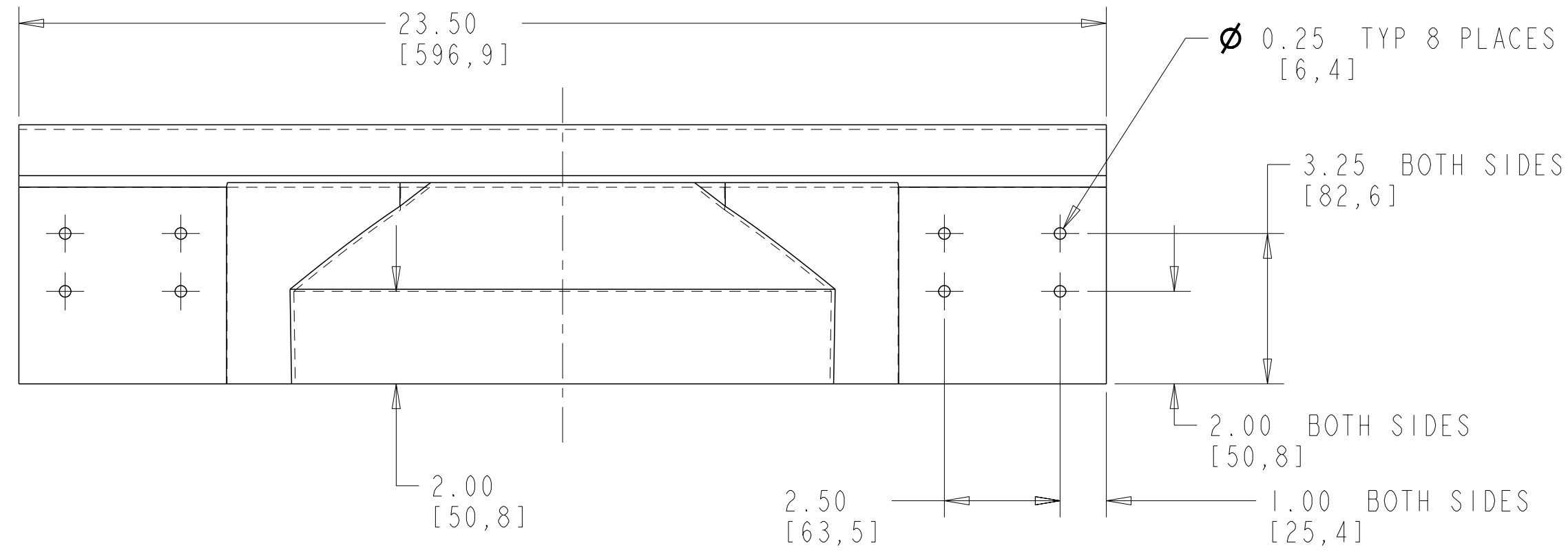



P	LTR	DESCRIPTION	DATE	DWN	APVD
A		INITIAL RELEASE	17APR2020	AS	LH



TCPN
A83987-000

NOTES:

- PARTS SHALL BE KITTED 3 PIECES PER BOX.
- PART SHALL BE KITTED WITH QTY 8 BCIC LATCH, PN 607477-000
- EACH BOX SHALL BE LABELLED WITH DESCRIPTION, LOT NUMBER, PART NUMBER, MANUFACTURING DATE AND QUANTITY

THIS DRAWING IS A CONTROLLED DOCUMENT.		DWN A. SABARAD 17APR2020	 TE Connectivity	
DIMENSIONS: INCH(MM)		CHK S. LIGHT 17APR2020		
TOLERANCES UNLESS OTHERWISE SPECIFIED:		APVD L. HILLER 17APR2020	NAME BCIC-12D/5.5-PIN-3(B3)	
0 PLC ± 1 PLC ±0.1 2 PLC ±0.01 3 PLC ±0.001 4 PLC ±0.0001 ANGLES ±		PRODUCT SPEC -	SIZE A2	
MATERIAL -		APPLICATION SPEC -	CAGE CODE 00779	DRAWING NO E00000827
FINISH -		WEIGHT -	RESTRICTED TO -	SCALE NTS
		CUSTOMER DRAWING	SHEET 1	REV A