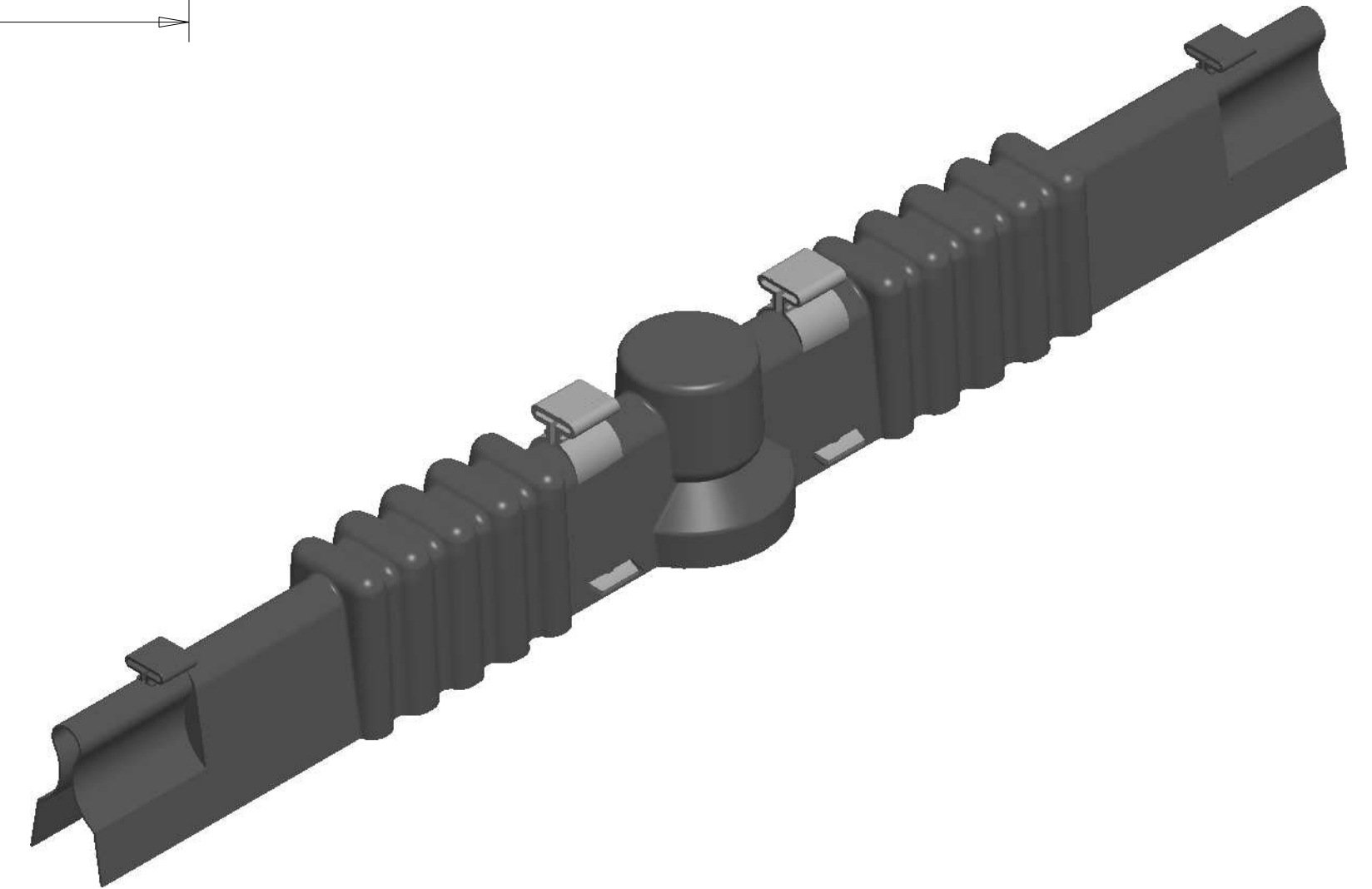
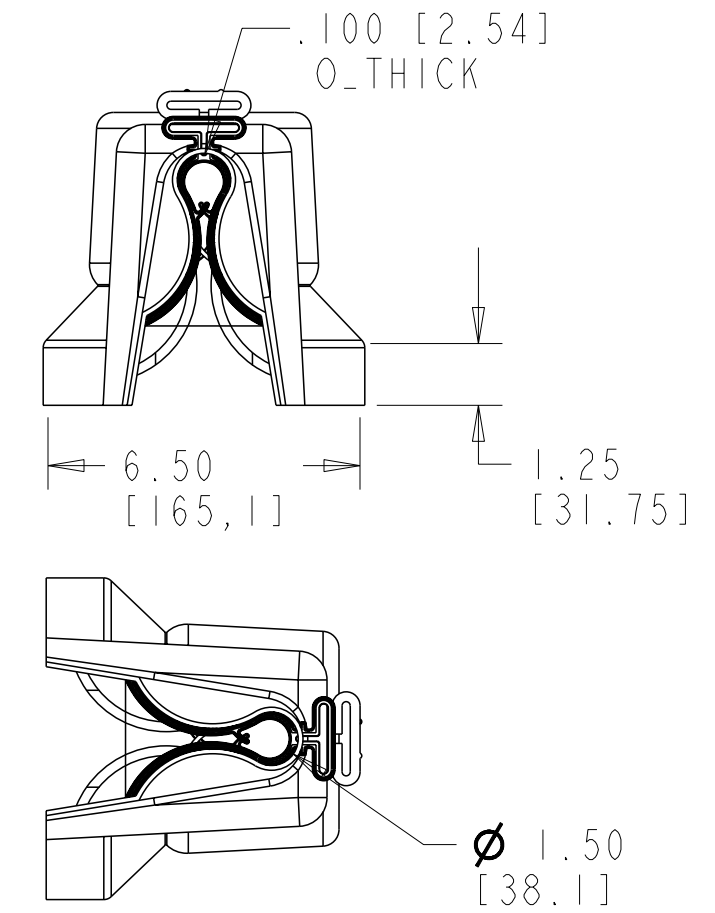
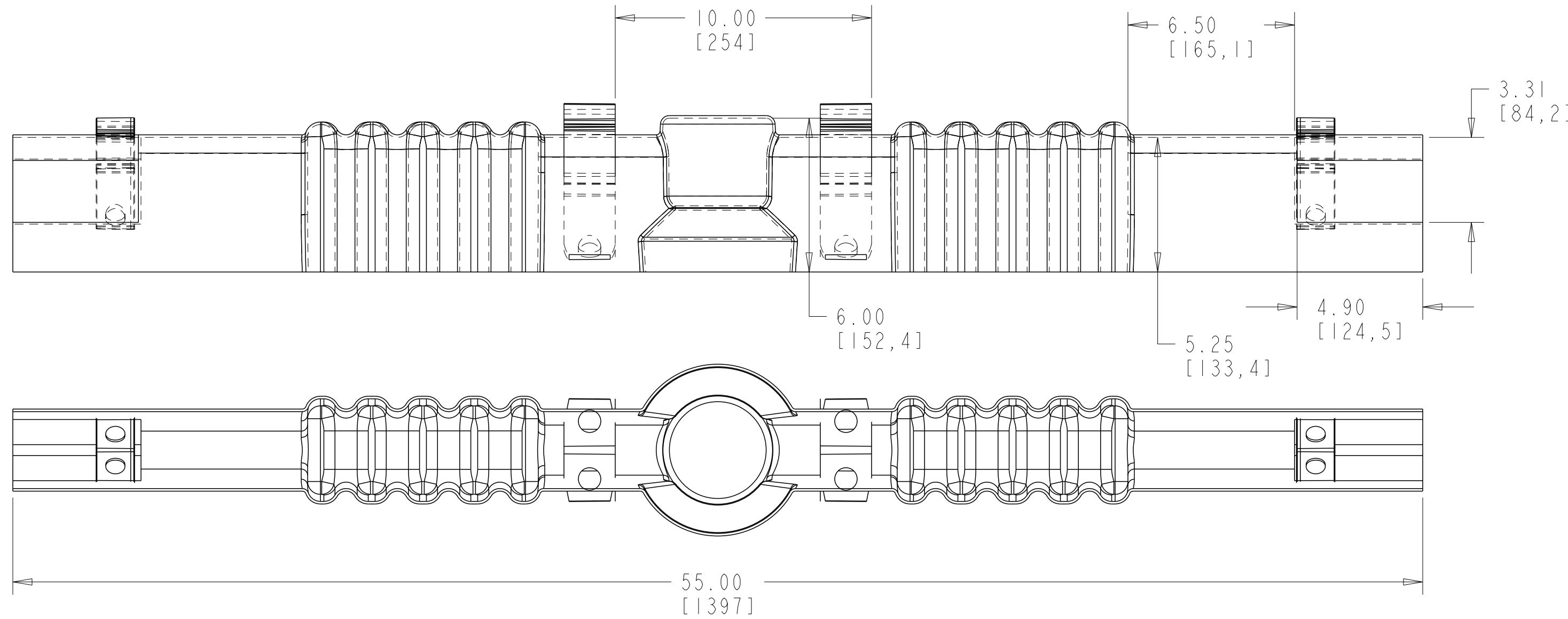


REVISIONS					
P	LTR	DESCRIPTION	DATE	DWN	APVD
A		INITIAL RELEASE	16MAR2020	AS	LH
B		ADDED METRIC DIMENSIONS	16APR2020	AS	LH



NOTES:

1. PARTS SHALL BE KITTED 36 PIECES PER BOX.
2. PARTS SHALL BE KITTED WITH P11-55520
3. EACH BOX SHALL BE LABELLED WITH DESCRIPTION, LOT NUMBER, PART NUMBER, MANUFACTURING DATE AND QUANTITY

TCPN
CB1215-000

THIS DRAWING IS A CONTROLLED DOCUMENT.		DWN A. SABARAD 16APR2020																		
DIMENSIONS: INCH(MM)		CHK S. LIGHT 16APR2020																		
TOLERANCES UNLESS OTHERWISE SPECIFIED:		APVD L. HILLER 16APR2020	NAME BC1C-1215(B36)																	
<table border="1"> <tr><td>0 PLC</td><td>±</td></tr> <tr><td>1 PLC</td><td>±</td></tr> <tr><td>2 PLC</td><td>±</td></tr> <tr><td>3 PLC</td><td>±</td></tr> <tr><td>4 PLC</td><td>±</td></tr> <tr><td>ANGLES</td><td>±</td></tr> <tr><td>FINISH</td><td>±</td></tr> </table>		0 PLC	±	1 PLC	±	2 PLC	±	3 PLC	±	4 PLC	±	ANGLES	±	FINISH	±	PRODUCT SPEC -	SIZE A2	CAGE CODE 00779	DRAWING NO E00000825	RESTRICTED TO -
0 PLC	±																			
1 PLC	±																			
2 PLC	±																			
3 PLC	±																			
4 PLC	±																			
ANGLES	±																			
FINISH	±																			
MATERIAL -		APPLICATION SPEC -	WEIGHT -	SCALE NTS		SHEET 1	OF 1	REV B												
CUSTOMER DRAWING																				