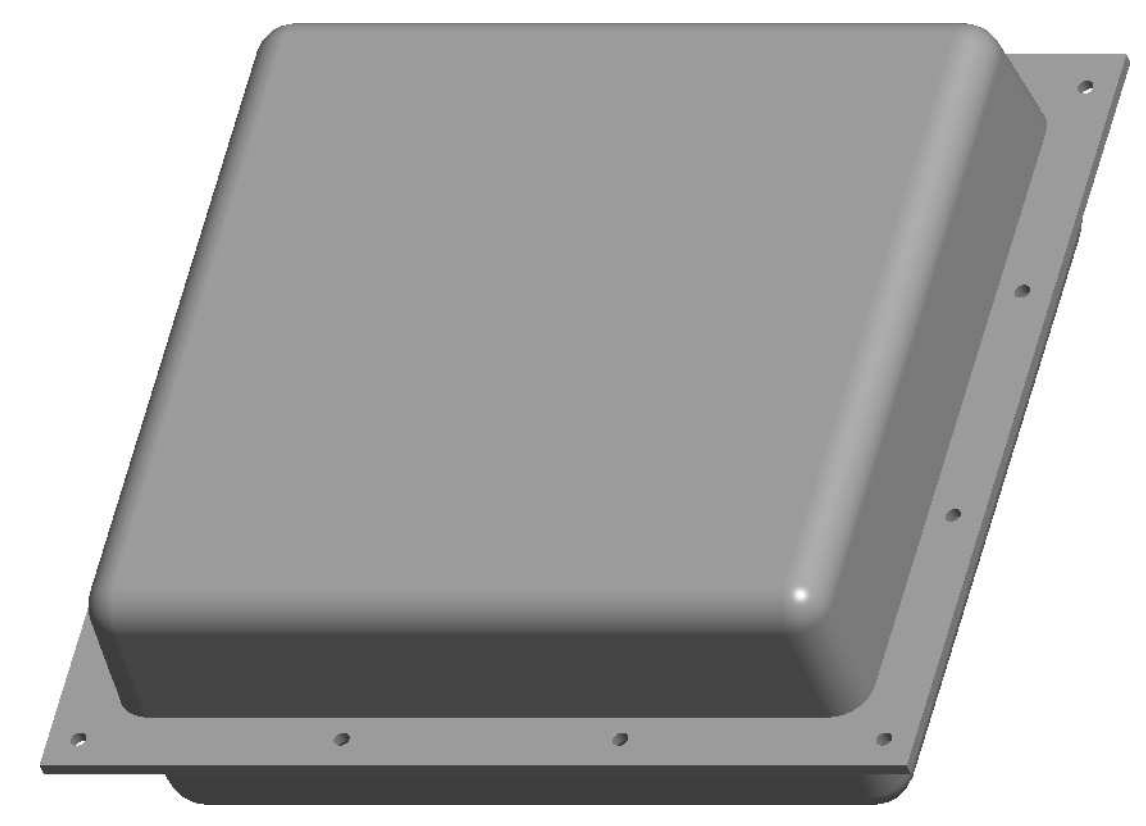
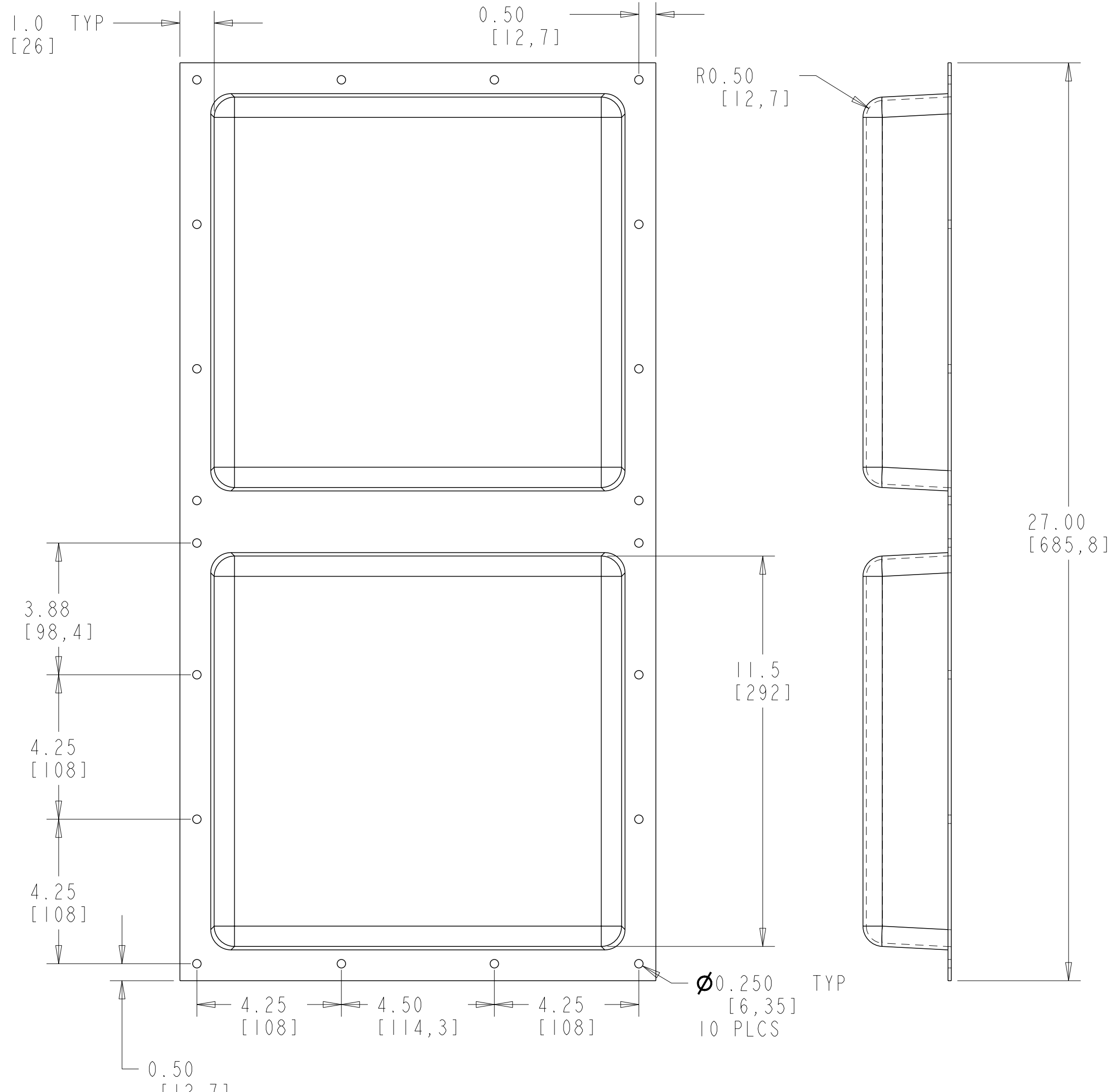


P	LTR	DESCRIPTION	DATE	DWN	APVD
A		INITIAL RELEASE	18MAR2020	AS	LH
B		ADDED METRIC DIMENSIONS	16APR2020	AS	LH



CLOSED POSITION

NOTES:

- PARTS SHALL BE KITTED 3 PIECES PER BOX.
- PART SHALL BE KITTED WITH QTY 15 BCIC LATCH, PN 607477-000
- EACH BOX SHALL BE LABELLED WITH DESCRIPTION, LOT NUMBER, PART NUMBER, MANUFACTURING DATE AND QUANTITY

TCPN  
130403-000

THIS DRAWING IS A CONTROLLED DOCUMENT.		DWN A. SABARAD 16APR2020	TE Connectivity	
DIMENSIONS: INCH(MM)		CHK S. LIGHT 16APR2020		
TOLERANCES UNLESS OTHERWISE SPECIFIED:		APVD L. HILLER 16APR2020	NAME BCIC-12/12/5-H(B3)	
0 PLC ± 1 PLC ± 2 PLC ± 3 PLC ± 4 PLC ± ANGLES ± FINISH -		PRODUCT SPEC -	SIZE A2	CAGE CODE 00779
MATERIAL -		APPLICATION SPEC -	DRAWING NO E00000824	RESTRICTED TO -
		WEIGHT -	SCALE NTS SHEET 1 OF 1 REV B	
		CUSTOMER DRAWING		