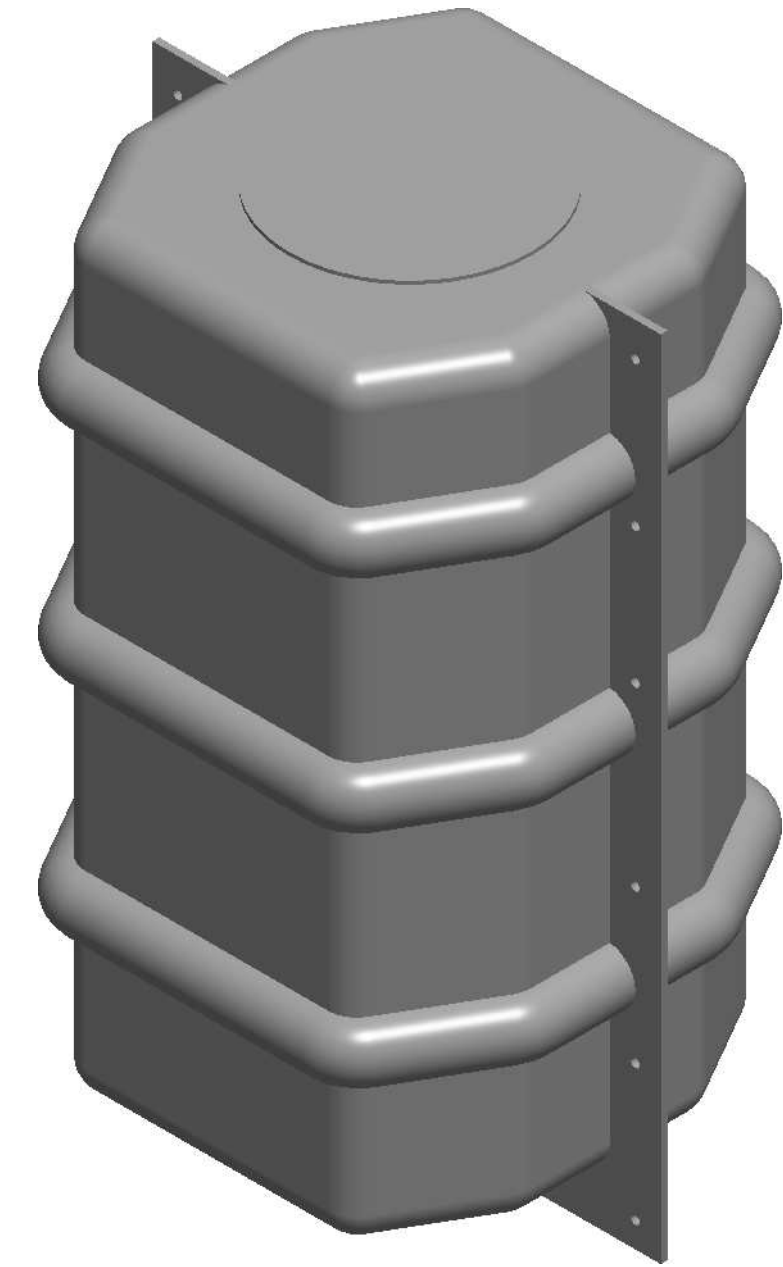
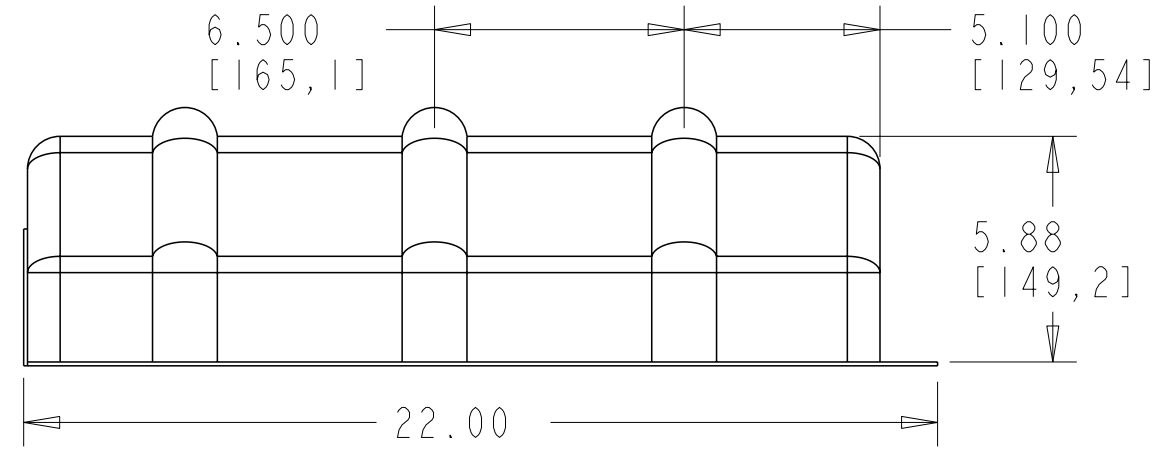
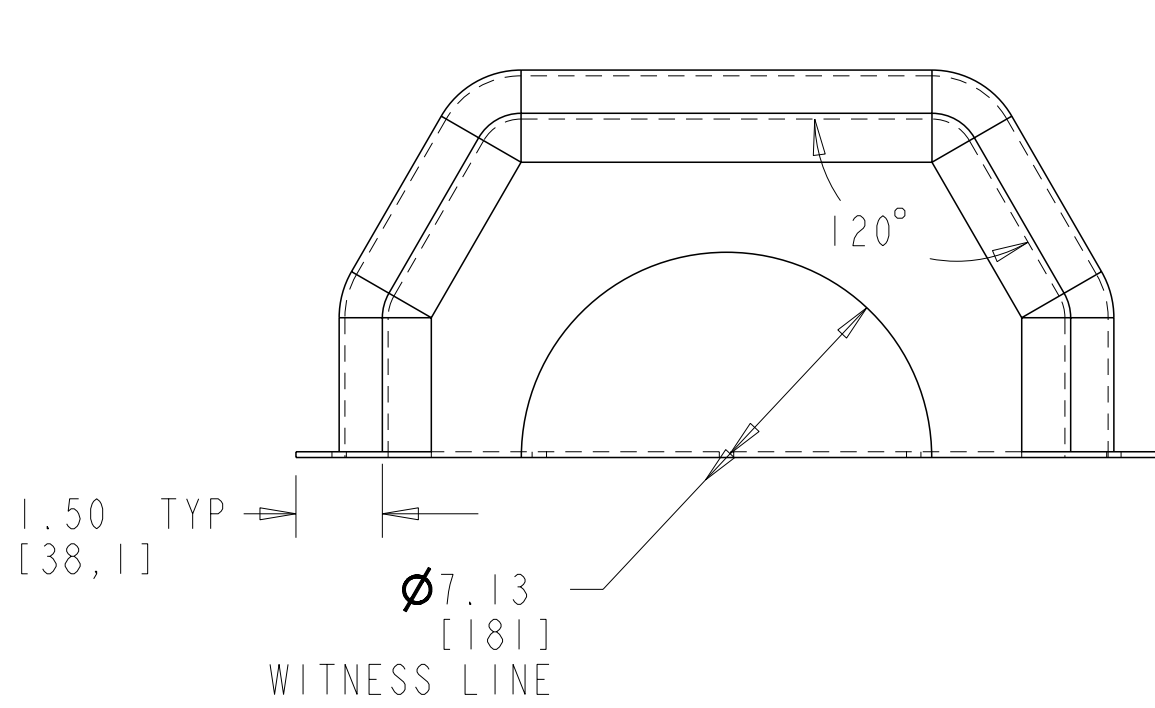
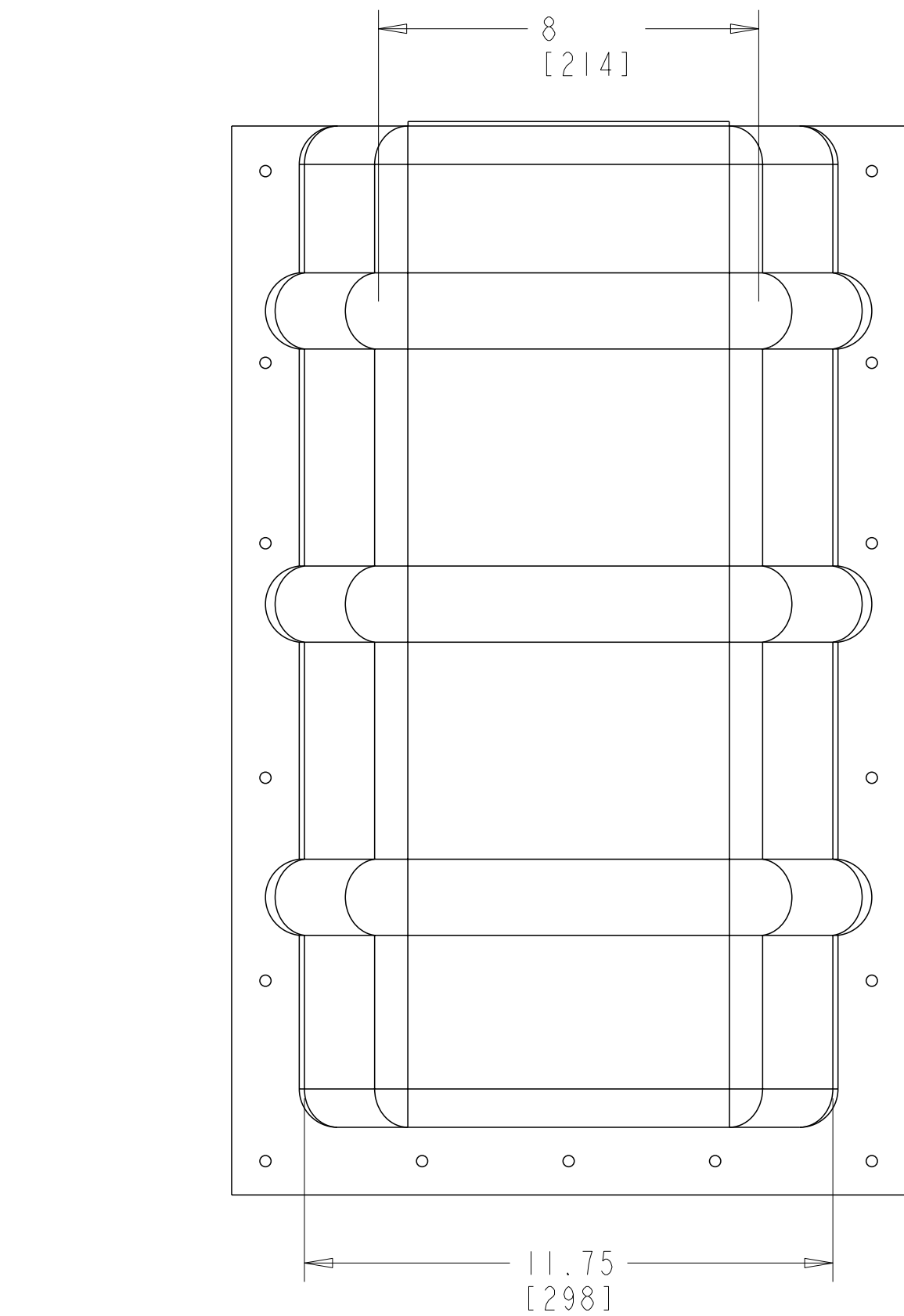


P	LTR	DESCRIPTION	DATE	DWN	APVD
A		INITIAL RELEASE	18MAR2020	AS	LH
B		ADDED METRIC DIMENSIONS	16APR2020	AS	LH



TCPN
 BM3140-000



NOTES:

- PARTS SHALL BE KITTED 3 PIECES PER BOX.
- PART SHALL BE KITTED WITH QTY 16 BCIC LATCH, PN 607477-000
- EACH BOX SHALL BE LABELLED WITH DESCRIPTION, LOT NUMBER, PART NUMBER, MANUFACTURING DATE AND QUANTITY

THIS DRAWING IS A CONTROLLED DOCUMENT.		DWN 16APR2020 A. SABARAD	TE Connectivity	
DIMENSIONS: INCH(MM)		CHK 16APR2020 S. LIGHT		
TOLERANCES UNLESS OTHERWISE SPECIFIED:		APVD 16APR2020 L. HILLER	PRODUCT SPEC	RESTRICTED TO
0 PLC ± 1 PLC ± 2 PLC ± 3 PLC ± 4 PLC ± ANGLES ±		APPLICATION SPEC	SIZE A2	CAGE CODE 00779
FINISH		WEIGHT	DRAWING NO. C-E00000822	SCALE NTS
MATERIAL		CUSTOMER DRAWING	SHEET 1 OF 1	REV B