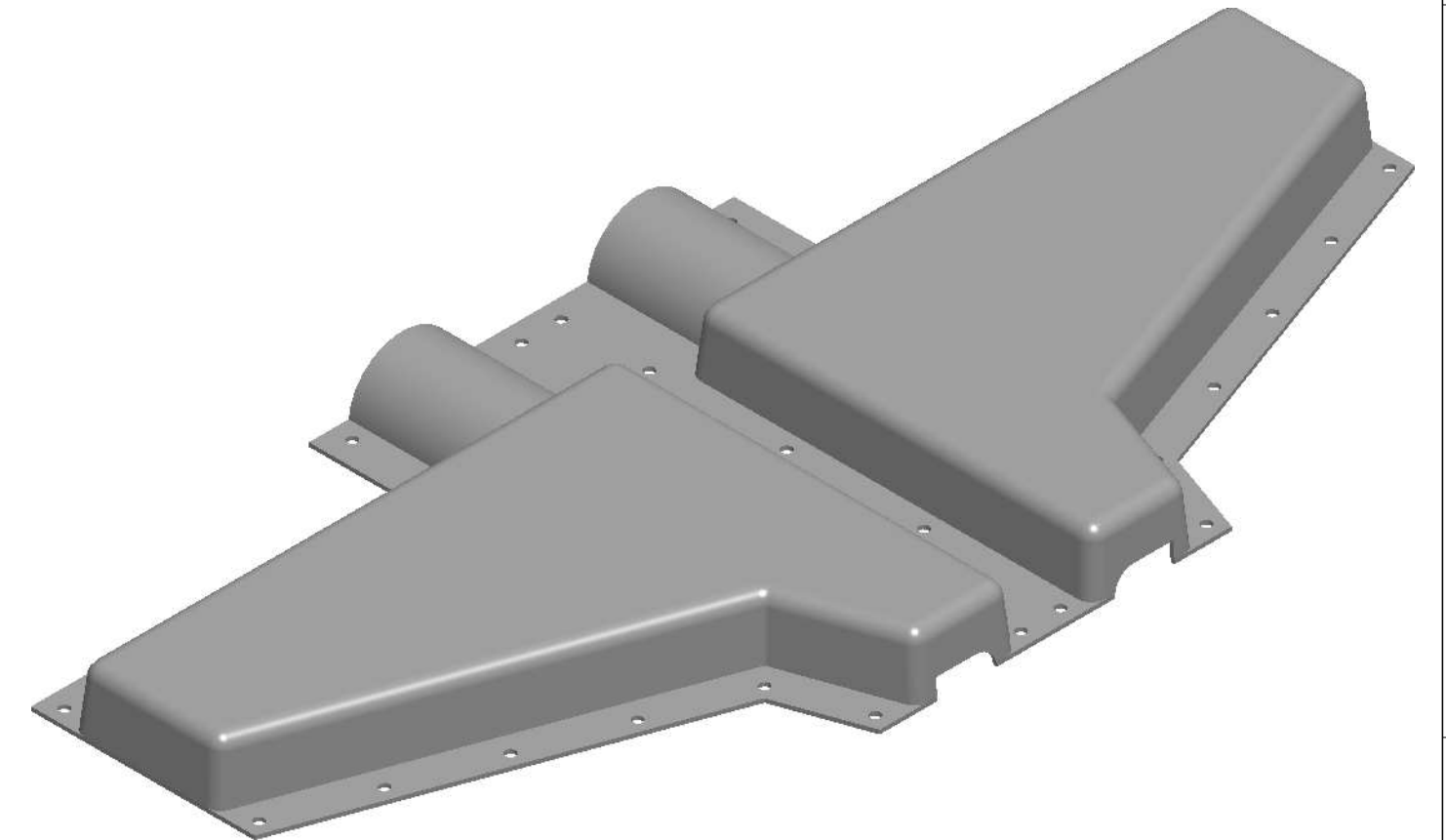
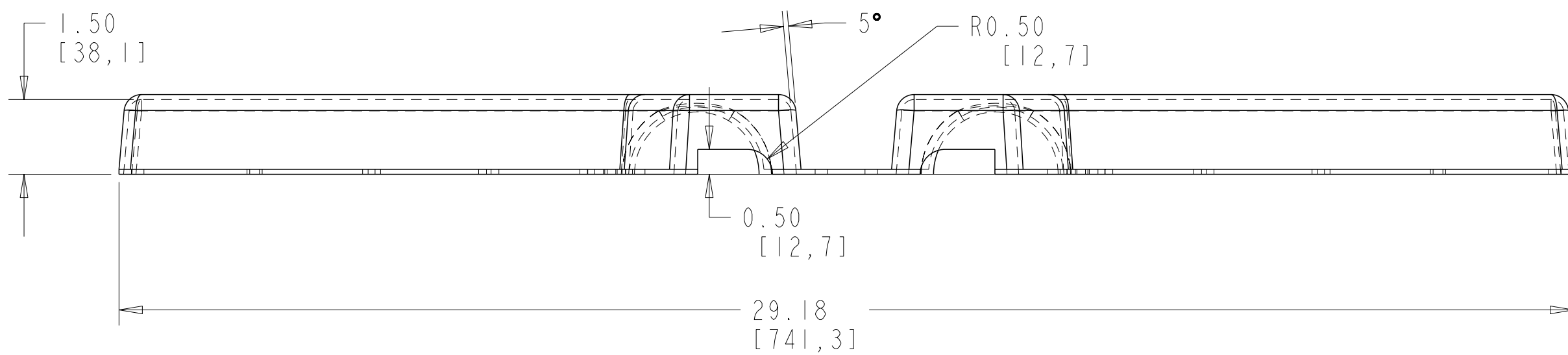
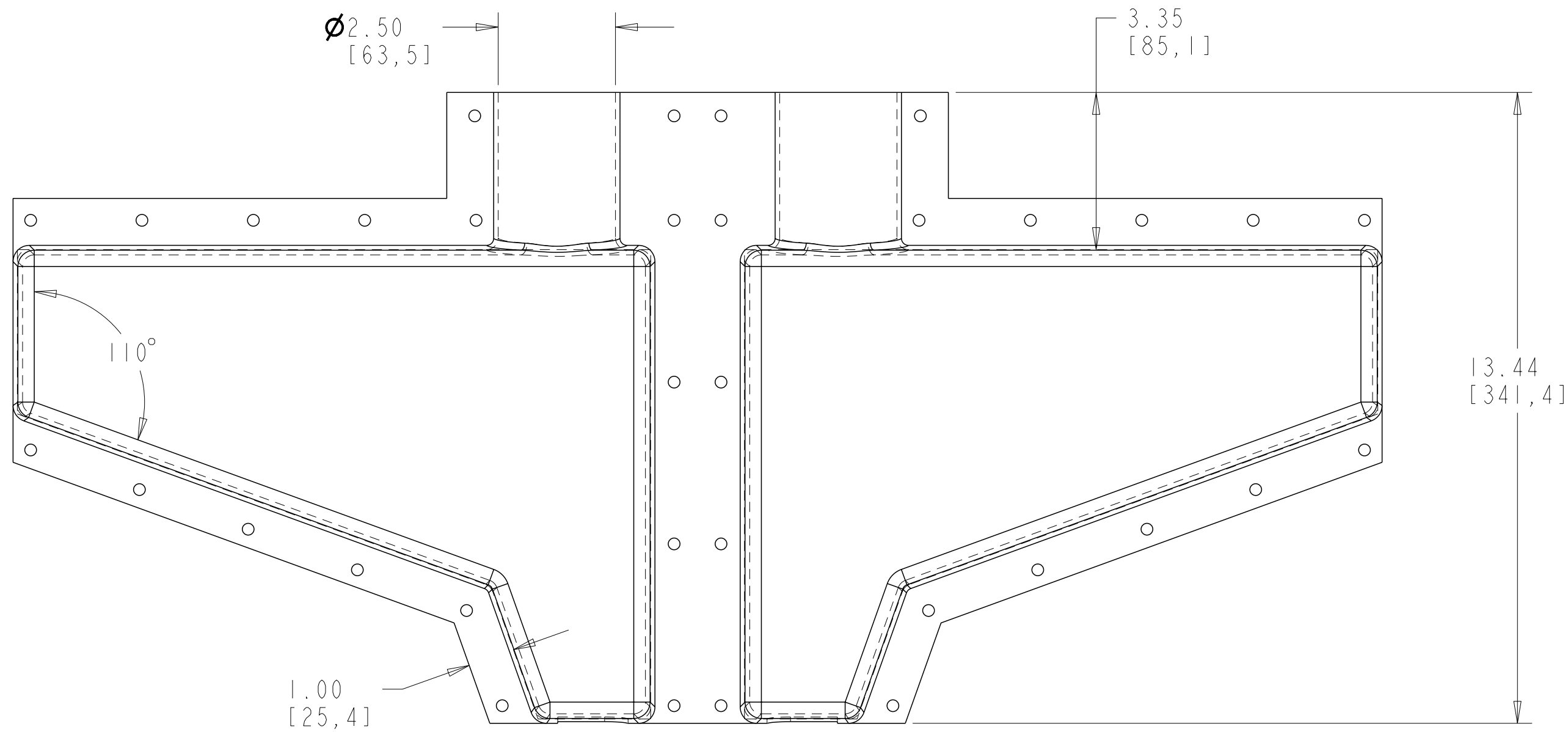


P	LTR	DESCRIPTION	DATE	DWN	APVD
A		INITIAL RELEASE	17MAR2020	AS	LH
B		ADDED METRIC DIMENSIONS	15APR2020	AS	LH



NOTES:

- PARTS SHALL BE KITTED 3 PIECES PER BOX.
- PART SHALL BE KITTED WITH QTY 17 BCIC LATCH, PN 607477-000
- EACH BOX SHALL BE LABELLED WITH DESCRIPTION, LOT NUMBER, PART NUMBER, MANUFACTURING DATE AND QUANTITY

TCPN
E45699-000

THIS DRAWING IS A CONTROLLED DOCUMENT.		DWN A. SABARAD 15APR2020	TE Connectivity	
DIMENSIONS: INCH(MM)		CHK S. LIGHT 15APR2020		
		APVD L. HILLER 15APR2020	NAME BCIC-10/13.5/3-L(B3)	
TOLERANCES UNLESS OTHERWISE SPECIFIED:		PRODUCT SPEC	SIZE A2	
0 PLC ±		APPLICATION SPEC	CAGE CODE 00779	DRAWING NO E00000817
1 PLC ±		WEIGHT	RESTRICTED TO	
2 PLC ±		CUSTOMER DRAWING	SCALE NTS	SHEET 1 OF 1
3 PLC ±			REV B	
4 PLC ±				
ANGLES ±				
FINISH				