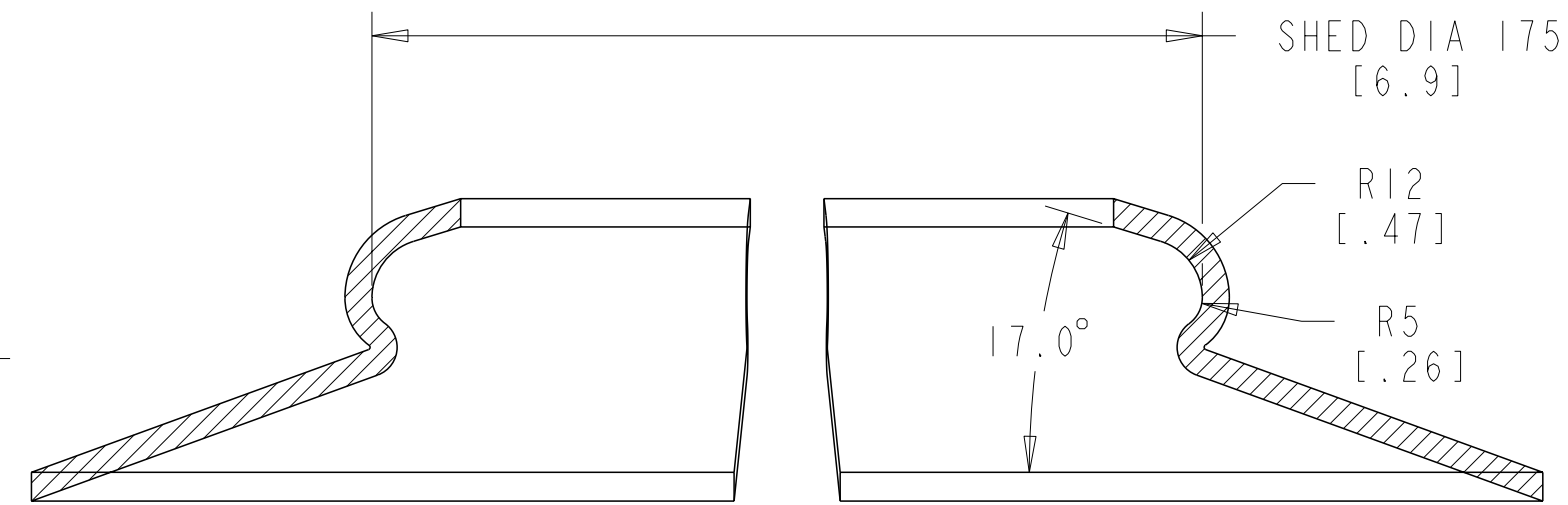
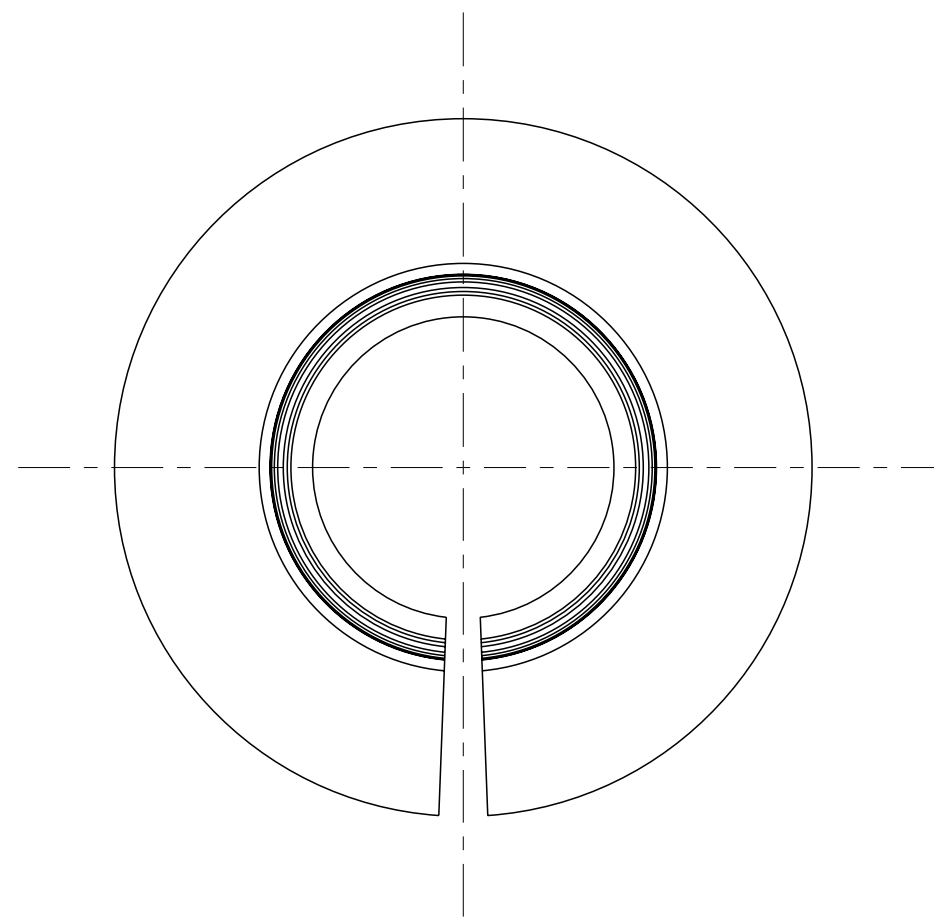
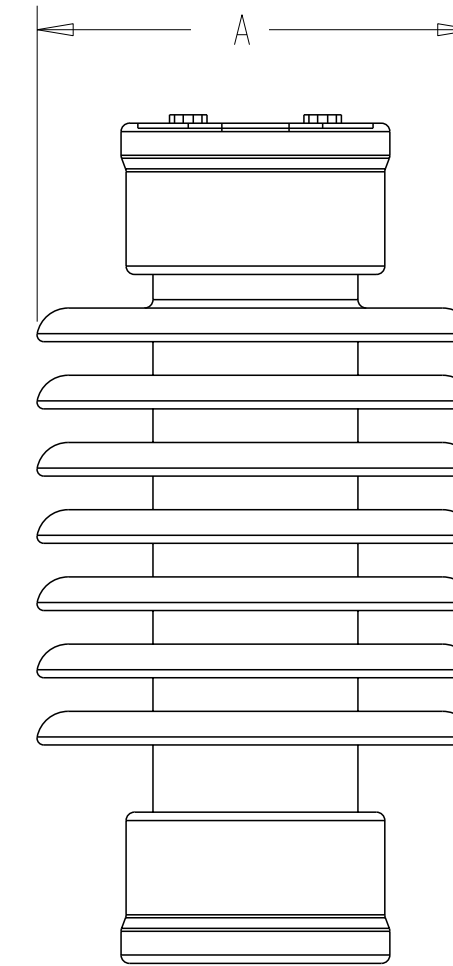


P	LTR	DESCRIPTION	DATE	DWN	APVD
A		INITIAL RELEASE	27FEB2020	AS	LH
B		TYPO CORRECTION	24NOV2022	HM	LH



TYPICAL CROSS SECTION OF AN HVCE-WA



Product Selection Information: IN mm (INCH)			Product Selection Information: IN mm (INCH)			Product Selection Information: IN mm (INCH)		
Description	Shed Diameter of Insulator A	Standard Pack	Description	Shed Diameter of Insulator A	Standard Pack	Description	Shed Diameter of Insulator A	Standard Pack
HVCE-WA-175-02-FT (B6)	175 (6.90)	6	HVCE-WA-326-01 (B6)	326 (12.83)	6	HVCE-WA-421-01 (B6)	421 (16.54)	6
HVCE-WA-206-01 (B6)	206 (8.11)	6	HVCE-WA-330-01 (B3)	330 (13.00)	3	HVCE-WA-426-01 (B6)	426 (16.77)	6
HVCE-WA-216-01 (B6)	216 (8.50)	6	HVCE-WA-336-01 (B6)	336 (13.23)	6	HVCE-WA-429-01 (B6)	429 (16.89)	6
HVCE-WA-221-01 (B6)	221 (8.70)	6	HVCE-WA-341-01 (B6)	341 (13.39)	6	HVCE-WA-440-01 (B6)	440 (17.32)	6
HVCE-WA-226-01 (B6)	226 (8.90)	6	HVCE-WA-348-01 (B6)	348 (13.70)	6	HVCE-WA-442-01 (B6)	442 (17.40)	6
HVCE-WA-227-01 (B6)	227 (8.94)	6	HVCE-WA-349-01 (B6)	349 (13.74)	6	HVCE-WA-452-01 (B6)	452 (17.60)	6
HVCE-WA-234-01 (B6)	234 (9.21)	6	HVCE-WA-356-01 (B6)	356 (14.02)	6	HVCE-WA-457-01 (B6)	457 (18.00)	6
HVCE-WA-244-01-FT (B6)	244 (9.61)	6	HVCE-WA-359-01 (B3)	359 (14.13)	3	HVCE-WA-463-01 (B6)	463 (18.23)	6
HVCE-WA-248-01 (B6)	248 (9.76)	6	HVCE-WA-364-01 (B6)	364 (14.33)	6	HVCE-WA-482-01 (B3)	482 (16.98)	3
HVCE-WA-251-01 (B6)	251 (9.88)	6	HVCE-WA-367-01 (B6)	367 (14.45)	6	HVCE-WA-488-01 (B6)	488 (19.21)	6
HVCE-WA-255-01 (B6)	255 (10.04)	6	HVCE-WA-372-01 (B6)	372 (14.65)	6	HVCE-WA-490-01 (B6)	490 (19.29)	6
HVCE-WA-267-01 (B6)	267 (10.51)	6	HVCE-WA-373-01 (B6)	373 (14.68)	6	HVCE-WA-501-01 (B6)	501 (19.72)	6
HVCE-WA-271-01 (B6)	271 (10.67)	6	HVCE-WA-377-01 (B6)	377 (14.84)	6	HVCE-WA-528-01 (B3)	528 (20.79)	3
HVCE-WA-280-01 (B6)	280 (11.02)	6	HVCE-WA-381-01 (B6)	381 (15.00)	6	HVCE-WA-551-01 (B3)	551 (21.69)	3
HVCE-WA-281-01 (B6)	281 (11.06)	6	HVCE-WA-392-01 (B6)	392 (14.53)	6	HVCE-WA-584-01 (B3)	584 (22.99)	3
HVCE-WA-287-01 (B6)	287 (11.30)	6	HVCE-WA-393-01 (B6)	393 (15.47)	6	HVCE-WA-611-01 (B6)	611 (24.05)	6
HVCE-WA-292-01 (B6)	292 (11.50)	6	HVCE-WA-406-01 (B6)	406 (15.98)	6			
HVCE-WA-303-01 (B6)	303 (11.93)	6	HVCE-WA-407-01 (B6)	407 (15.98)	6			
HVCE-WA-323-01 (B6)	323 (12.72)	6	HVCE-WA-413-01 (B6)	413 (16.26)	6			

NOTES:

- EACH EXTENDER ADDS 6" TO THE CREEPAGE LENGTH.
- SEE PRODUCT DATASHEET EPP-2606 FOR ALL OTHER INFORMATION.

THIS DRAWING IS A CONTROLLED DOCUMENT.

DWN	A. SABARAD	27FEB2020
CHK	S. LIGHT	27FEB2020
APVD	L. HILLER	27FEB2020

STE TE Connectivity

NAME: HIGH VOLTAGE WRAP-AROUND CREEPAGE EXTENDER (HVCE-WA)

SIZE	CAGE CODE	DRAWING NO	RESTRICTED TO
A2	00779	C-E00000815	

RESTRICTED CUSTOMER

SCALE: NTS SHEET 1 OF 1 REV B

Printed on 30 Nov 2022 10:06 (India Standard Time) from TE397707