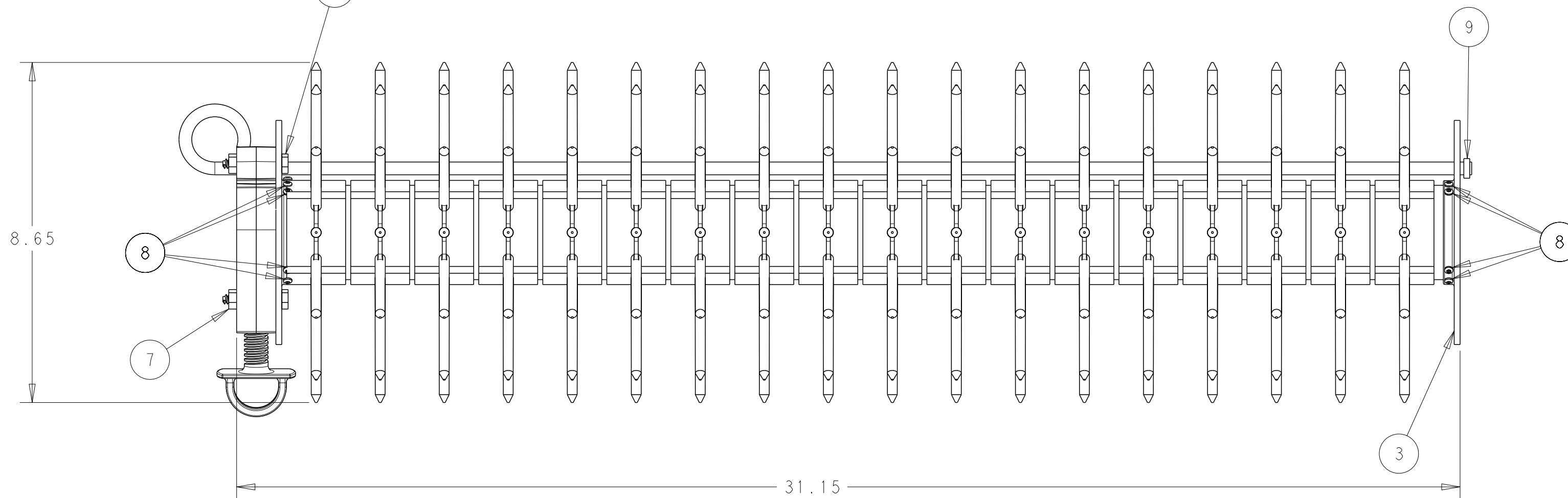
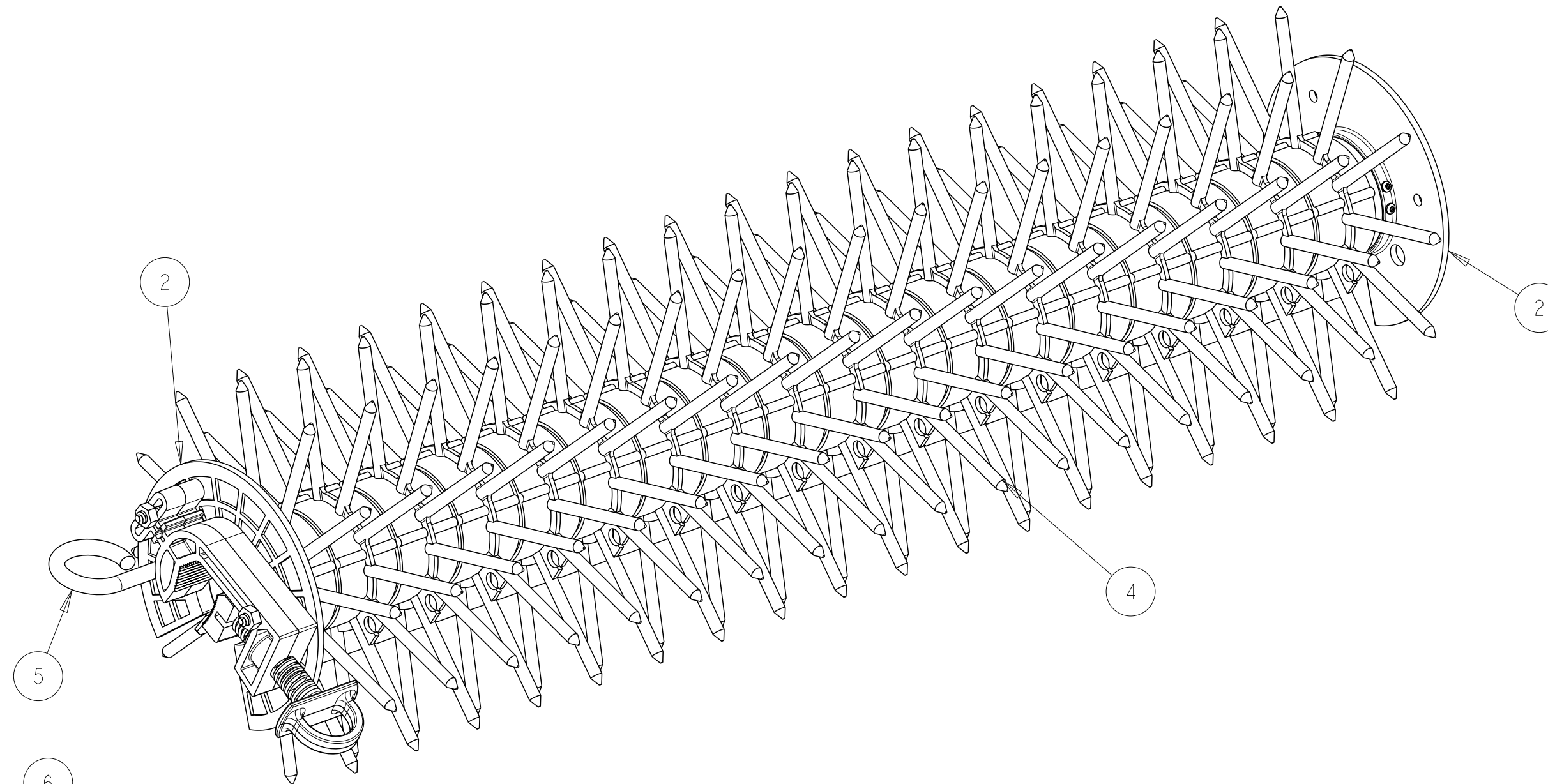
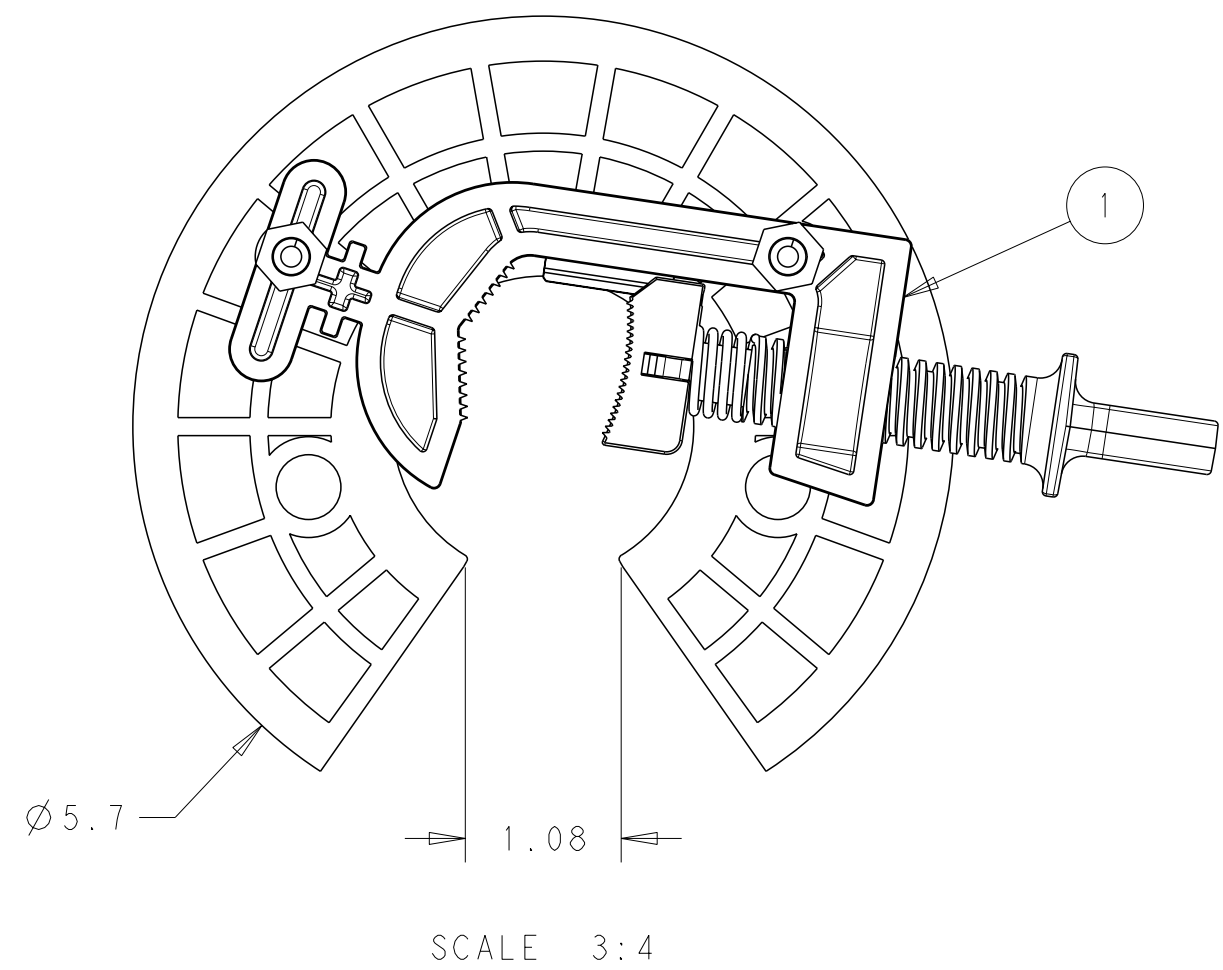


LEFT SECTION

REVISIONS					
P	LTR	DESCRIPTION	DATE	DWN	APVD
A		INITIAL RELEASE	14APR2020	SL	LH
B		TYPO CORRECTION	23NOV2022	HM	LH

TCPN	DESCRIPTION
EN7339-000	WLG-60(B1)



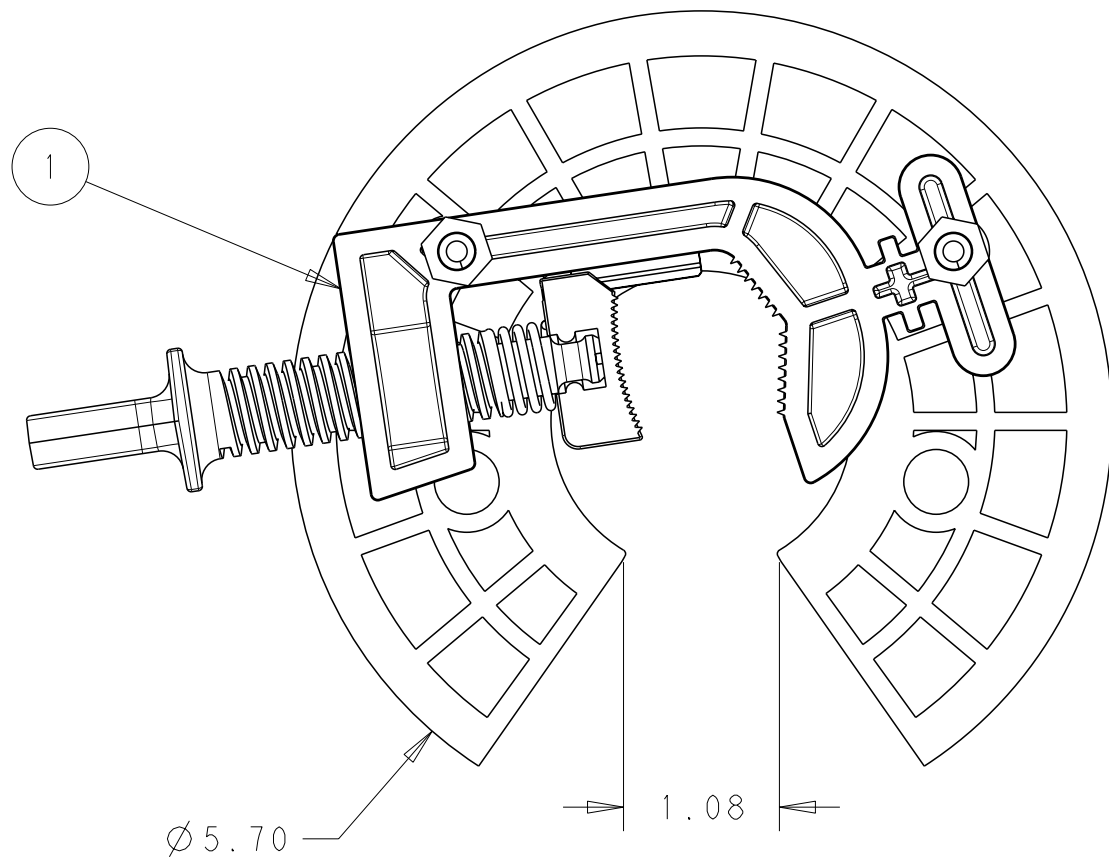
ITEM	DESCRIPTION	QTY
1	WLG-CLAMP	1
2	WLG-ENDPLATE	2
3	WLG-TUBE	1
4	WLG-STAR	18
5	WLG-ROD	1
6	BOLT	2
7	NUT	2
8	SCREWS	8
9	WASHER	1

THIS DRAWING IS A CONTROLLED DOCUMENT.		DWN	14APR2020	<b>STE</b> TE Connectivity													
DIMENSIONS: in		CHK	14APR2020														
TOLERANCES UNLESS OTHERWISE SPECIFIED:		APVD	14APR2020														
<table border="1"> <tr><td>0 PLC</td><td>±</td></tr> <tr><td>1 PLC</td><td>±.01</td></tr> <tr><td>2 PLC</td><td>±.02</td></tr> <tr><td>3 PLC</td><td>±.005</td></tr> <tr><td>4 PLC</td><td>±.0005</td></tr> <tr><td>ANGLES</td><td>±</td></tr> <tr><td>FINISH</td><td></td></tr> </table>		0 PLC	±		1 PLC	±.01	2 PLC	±.02	3 PLC	±.005	4 PLC	±.0005	ANGLES	±	FINISH		PRODUCT SPEC
0 PLC	±																
1 PLC	±.01																
2 PLC	±.02																
3 PLC	±.005																
4 PLC	±.0005																
ANGLES	±																
FINISH																	
MATERIAL		APPLICATION SPEC	-	NAME	WLG-60 ASSEMBLY												
		WEIGHT	-	SIZE	A200779												
		CUSTOMER DRAWING		CAGE CODE	C-E00000740												
		SCALE	2:5	DRAWING NO													
		SHEET	1 OF 2	RESTRICTED TO	-												
		REV	B														

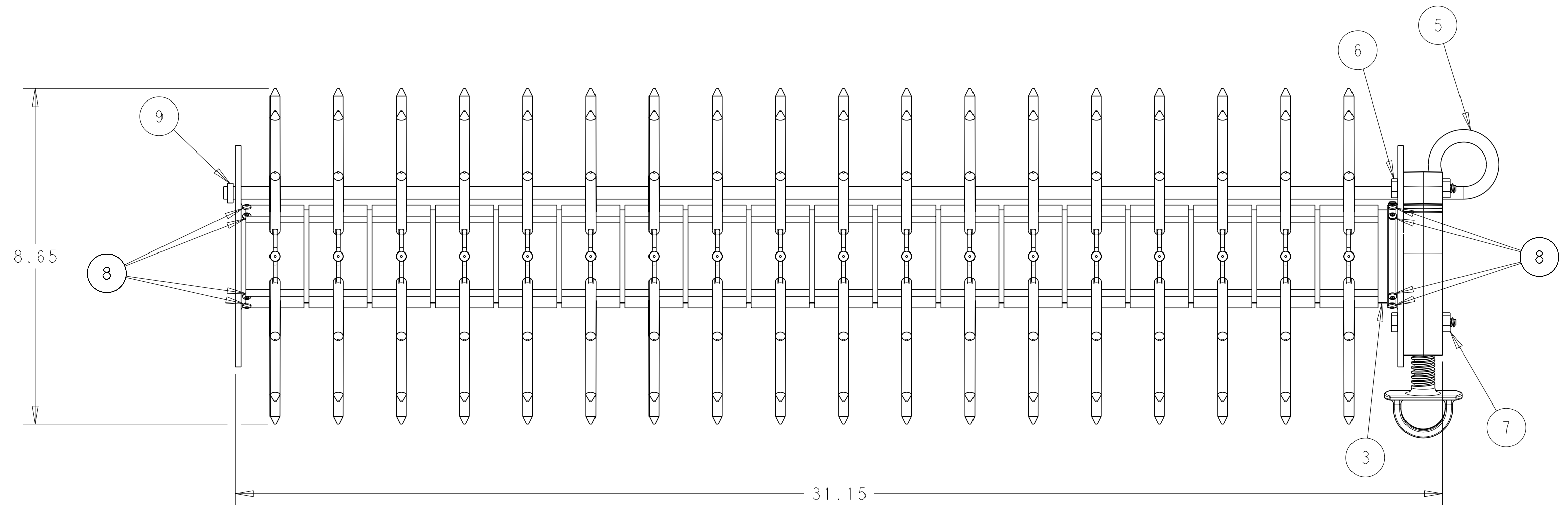
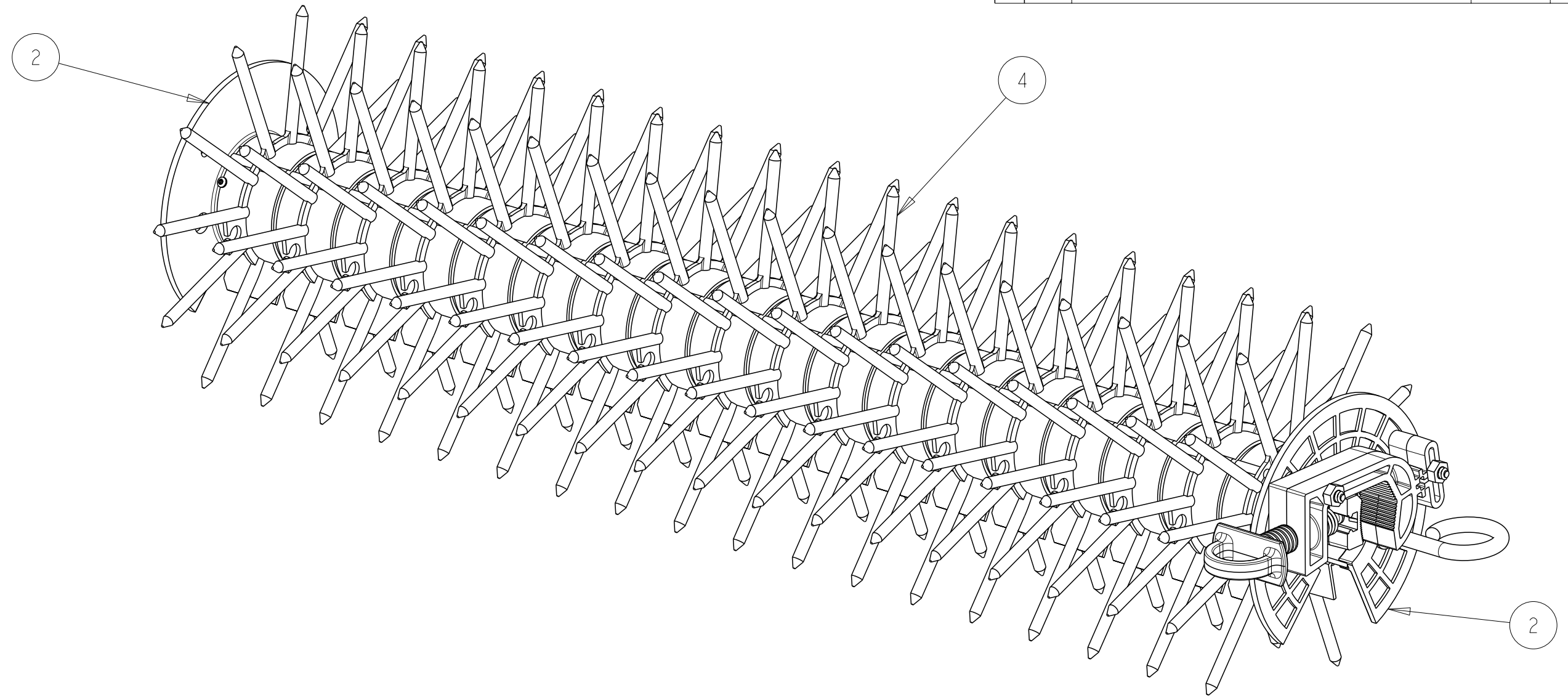
Printed on 23 Nov 2022 15:28 (India Standard Time) from IE397707

P	LTR	DESCRIPTION	DATE	DWN	APVD
-		SEE SHEET 1	-	-	-

RIGHT SECTION



SCALE 3:4



ITEM	DESCRIPTION	QTY
1	WLG-CLAMP	1
2	WLG-ENDPLATE	2
3	WLG-TUBE	1
4	WLG-STAR	18
5	WLG-ROD	1
6	BOLT	2
7	NUT	2
8	SCREWS	8
9	WASHER	1

THIS DRAWING IS A CONTROLLED DOCUMENT.		DWN SI	14APR2020	<b>STE</b> TE Connectivity													
DIMENSIONS: in		CHK LH	14APR2020														
TOLERANCES UNLESS OTHERWISE SPECIFIED:		APVD LH	14APR2020														
<table border="1"> <tr><td>0 PLC</td><td>±</td></tr> <tr><td>1 PLC</td><td>±.01</td></tr> <tr><td>2 PLC</td><td>±.005</td></tr> <tr><td>3 PLC</td><td>±.005</td></tr> <tr><td>4 PLC</td><td>±.0005</td></tr> <tr><td>ANGLES</td><td>±</td></tr> <tr><td>FINISH</td><td></td></tr> </table>		0 PLC	±		1 PLC	±.01	2 PLC	±.005	3 PLC	±.005	4 PLC	±.0005	ANGLES	±	FINISH		PRODUCT SPEC
0 PLC	±																
1 PLC	±.01																
2 PLC	±.005																
3 PLC	±.005																
4 PLC	±.0005																
ANGLES	±																
FINISH																	
MATERIAL		APPLICATION SPEC	-	NAME WLG-60 ASSEMBLY													
		WEIGHT	-	SIZE A200779													
		CUSTOMER DRAWING	SCALE 3:10	DRAWING NO E00000740													
			SHEET 2 OF 2	RESTRICTED TO -													
			REV B														